

SAIEW-M12B-5-HTL**Weidmüller Interface GmbH & Co. KG**

Klingenbergstraße 26

D-32758 Detmold

Germany

www.weidmueller.com

Similar to illustration

Weidmüller is one of the industry's leading international providers of connectors. An important mainstay in this product family are the circular connectors, which Weidmüller groups under the product name SAI. In the development of SAI products, Weidmüller engineers have always concentrated on achieving rational, cost-effective installation concepts, and – in cooperation with major users – have supplied the markets with well-conceived products which set standards in terms of functionality and quality across the globe. The best examples are the new power distributors with S and T coded M12. These modules are characterised by particularly high currents and voltages. This enables them to also be used, for example, with three-phase motors.

General ordering data

Version	Built-in plugs, M12, M 12, Number of poles: 5, Rear panel mounting
Order No.	2423480000
Type	SAIEW-M12B-5-HTL
GTIN (EAN)	4050118431407
Qty.	10 pc(s).

Creation date September 23, 2022 9:04:52 AM CEST

Catalogue status 09.09.2022 / We reserve the right to make technical changes.

SAIEW-M12B-5-HTL

Weidmüller Interface GmbH & Co. KG

Klingenbergstraße 26

D-32758 Detmold

Germany

www.weidmueller.com

Technical data

Dimensions and weights

Net weight 17.6 g

Environmental Product Compliance

REACH SVHC Lead 7439-92-1

Technical data of PCB plug-in connector

Coding	A		
Housings	M12 socket		
Mounting thread	M12		
Number of poles	5		
Shield connection	No		
Type of mounting	Rear panel mounting		
Rated voltage	60 V		
Rated voltage	250 V (4-pole) / 60 V (5-pole)		
Rated current	4 A		
Rated current	4 A		
Temperature range	-30...80 °C		
Protection degree	IP67		
Contact surface	Au (Gold)		
Housing main material	CuZn, nickel-plated		
Connection thread	M12		
Tightening torque	M12: 0.8 Nm		
Mounting thread	M 12		
Mounting torque	max.	1.2 Nm	
Mounting torque range	1.2 Nm		
Insulation strength	100 MΩ		
Pollution severity	3 (2 within the sealed area)		
Plugging cycles	≥ 100		
Contact material	CuZn		
Lock nut material	Nickel-plated CuZn		
Material of the flange-mounted housing	Nickel-plated CuZn		

General Info

Housing main material	CuZn, nickel-plated	Connection thread	M12
Contact material	CuZn	Contact surface	Au (Gold)
Type of mounting	Rear panel mounting	Protection degree	IP67
Plugging cycles	≥ 100		

Material data

Contact material	CuZn	Contact surface	Au (Gold)
------------------	------	-----------------	-----------

System parameters

Insulation strength	100 MΩ	Number of poles	5
Pin series quantity	1	Plugging cycles	≥ 100
Protection degree	IP67		

SAIEW-M12B-5-HTL

Weidmüller Interface GmbH & Co. KG
Klingenbergstraße 26
D-32758 Detmold
Germany

www.weidmueller.com

Technical data

Classifications

ETIM 6.0	EC002638	ETIM 7.0	EC003568
ETIM 8.0	EC003568	ECLASS 9.0	27-44-03-09
ECLASS 9.1	27-44-03-09	ECLASS 10.0	27-44-03-09
ECLASS 11.0	27-44-01-10	ECLASS 12.0	27-44-01-10

Approvals

ROHS	Conform
------	---------

Downloads

Engineering Data	CAD data – STEP
Catalogues	Catalogues in PDF-format
Brochures	FL FIELDWIRING EN

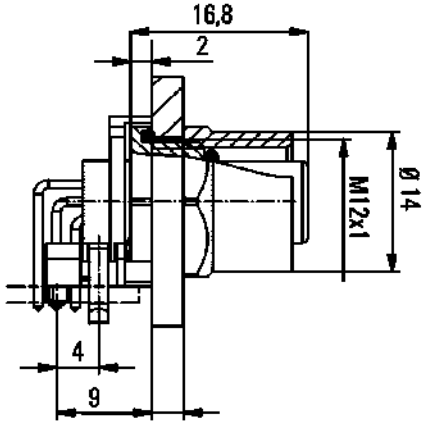
SAIEW-M12B-5-HTL

Weidmüller Interface GmbH & Co. KG
 Klingenbergstraße 26
 D-32758 Detmold
 Germany

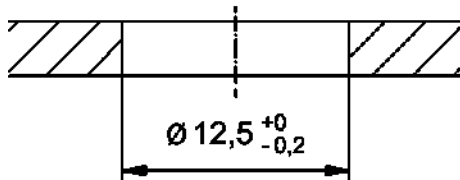
www.weidmueller.com

Drawings

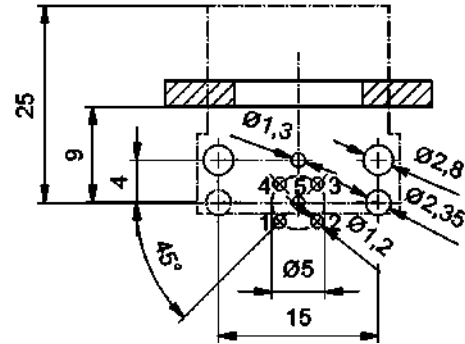
Dimensioned drawing



Front panel section



PCB design



Pole scheme

