

2423324-6 ✓ ACTIVE

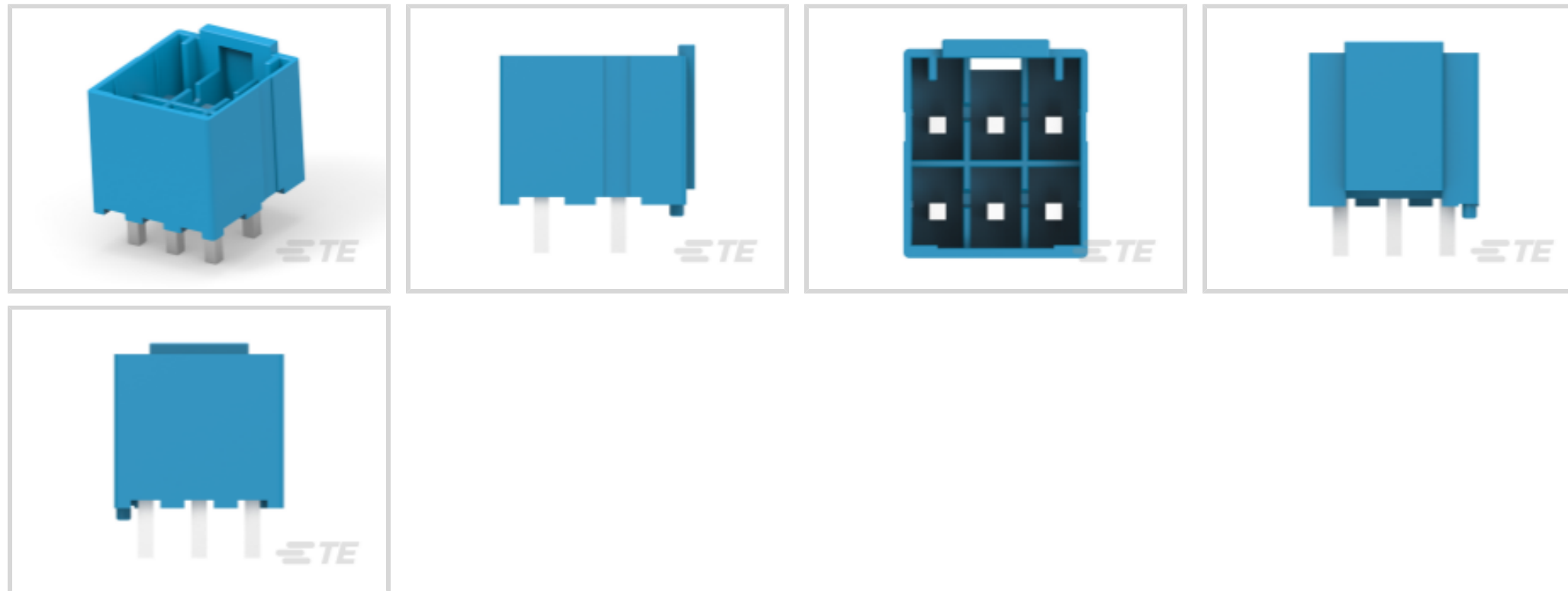
TE Internal #: 2423324-6

Rectangular Power Connectors, Header, Housing for Male
Terminals, Wire-to-Board, 6 Position, 4 mm [.157 in] Centerline,
Printed Circuit Board

[View on TE.com >](#)



Connectors > Power Connectors > Rectangular Power > Rectangular Power Connectors



Rectangular Power Connector Type: **Header**

Connector & Housing Type: **Housing for Male Terminals**

Connector System: **Wire-to-Board**

Number of Positions: **6**

Centerline (Pitch): **4 mm [.157 in]**

Features

Product Type Features

Rectangular Power Connector Type	Header
Connector & Housing Type	Housing for Male Terminals
Connector System	Wire-to-Board
Sealable	No
Connector & Contact Terminates To	Printed Circuit Board

Configuration Features

Number of Positions	6
PCB Mount Orientation	Vertical
Number of Signal Positions	6
Number of Rows	2

Electrical Characteristics

Operating Voltage	300 VAC
-------------------	---------

Contact Features

Contact Current Rating (Max)	10 A
------------------------------	------



Contact Retention Within Housing	With
----------------------------------	------

Contact Type	Pin
--------------	-----

PCB Contact Termination Area Plating Material	Tin over Nickel
---	-----------------

Termination Features

Termination Method to PCB	Through Hole - Solder
---------------------------	-----------------------

Mechanical Attachment

Connector Mounting Type	Board Mount
-------------------------	-------------

Housing Features

Centerline (Pitch)	4 mm [.157 in]
--------------------	----------------

Housing Color	Light Blue
---------------	------------

Housing Material	PBT
------------------	-----

Dimensions

Row-to-Row Spacing	5.95 mm [.234 in]
--------------------	-------------------

Usage Conditions

Operating Temperature Range	-25 – 85 °C [-13 – 185 °F]
-----------------------------	----------------------------

Operation/Application

Circuit Application	Signal
---------------------	--------

Industry Standards

UL Flammability Rating	UL 94V-0
------------------------	----------

Packaging Features

Packaging Method	Bag
------------------	-----

Product Compliance

[For compliance documentation, visit the product page on TE.com>](#)

EU RoHS Directive 2011/65/EU	Compliant
------------------------------	-----------

EU ELV Directive 2000/53/EC	Not Yet Reviewed
-----------------------------	------------------

China RoHS 2 Directive MIIT Order No 32, 2016	No Restricted Materials Above Threshold
---	---

EU REACH Regulation (EC) No. 1907/2006	Current ECHA Candidate List: JUNE 2024 (241) Candidate List Declared Against: JUNE 2024 (241) Does not contain REACH SVHC
--	---

Halogen Content	Low Bromine/Chlorine - Br and Cl < 900
-----------------	--



ppm per homogenous material. Also BFR /CFR/PVC Free

Solder Process Capability

Not reviewed for solder process capability

Product Compliance Disclaimer

This information is provided based on reasonable inquiry of our suppliers and represents our current actual knowledge based on the information they provided. This information is subject to change. The part numbers that TE has identified as EU RoHS compliant have a maximum concentration of 0.1% by weight in homogenous materials for lead, hexavalent chromium, mercury, PBB, PBDE, DBP, BBP, DEHP, DIBP, and 0.01% for cadmium, or qualify for an exemption to these limits as defined in the Annexes of Directive 2011/65/EU (RoHS2). Finished electrical and electronic equipment products will be CE marked as required by Directive 2011/65/EU. Components may not be CE marked. Additionally, the part numbers that TE has identified as EU ELV compliant have a maximum concentration of 0.1% by weight in homogenous materials for lead, hexavalent chromium, and mercury, and 0.01% for cadmium, or qualify for an exemption to these limits as defined in the Annexes of Directive 2000/53/EC (ELV). Regarding the REACH Regulations, TE's information on SVHC in articles for this part number is still based on the European Chemical Agency (ECHA) 'Guidance on requirements for substances in articles' (Version: 2, April 2011), applying the 0.1% weight on weight concentration threshold at the finished product level. TE is aware of the European Court of Justice ruling of September 10th, 2015 also known as O5A (Once An Article Always An Article) stating that, in case of 'complex object', the threshold for a SVHC must be applied to both the product as a whole and simultaneously to each of the articles forming part of its composition. TE has evaluated this ruling based on the new ECHA "Guidance on requirements for substances in articles" (June 2017, version 4.0) and will be updating its statements accordingly.

Compatible Parts



TE Part # 1-2420266-4
Socket HSG 2X7P Blue HCl 4.0 Pitch

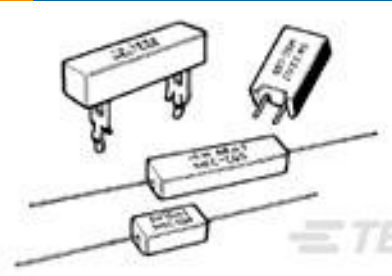


TE Part # 6-2408780-2
Plug HSG 2P Red HCl 6.2 Pitch Outer Lock

Customers Also Bought



TE Part #1-1415012-1
V23047-A1110-A501



TE Part #1-1623788-4
SQM5 3R3 5% (WIRE)



TE Part #5555980-1
MJ,R/A,4P/4C,TRAY PACK



TE Part #1-2423324-0
Header 2X5P Blue HCl 4.0 Pitch



Documents

Product Drawings

[Header 2X3P Blue HCI 4.0 Pitch](#)

English

CAD Files

[3D PDF](#)

3D

[Customer View Model](#)

[ENG_CVM_CVM_2423324-6_A.3d_stp.zip](#)

English

[Customer View Model](#)

[ENG_CVM_CVM_2423324-6_A.2d_dxf.zip](#)

English

[Customer View Model](#)

[ENG_CVM_CVM_2423324-6_A.3d_igs.zip](#)

English

By downloading the CAD file I accept and agree to the [Terms and Conditions](#) of use.

Datasheets & Catalog Pages

[HIGH-CURRENT-INTERCONNECT-CONNECTOR-SYSTEM](#)

English

Product Specifications

[Application Specification](#)

English