

**SAIE-M8B-8S-F9THR****Weidmüller Interface GmbH & Co. KG**

Klingenbergstraße 26

D-32758 Detmold

Germany

www.weidmueller.com

**Similar to illustration**

Weidmüller is one of the industry's leading international providers of connectors. An important mainstay in this product family are the circular connectors, which Weidmüller groups under the product name SAI. In the development of SAI products, Weidmüller engineers have always concentrated on achieving rational, cost-effective installation concepts, and – in cooperation with major users – have supplied the markets with well-conceived products which set standards in terms of functionality and quality across the globe. The best examples are the new power distributors with S and T coded M12. These modules are characterised by particularly high currents and voltages. This enables them to also be used, for example, with three-phase motors.

**General ordering data**

Version	Built-in plugs, M8, Number of poles: 8, Front mounting
Order No.	<a href="#">2423310000</a>
Type	SAIE-M8B-8S-F9THR
GTIN (EAN)	4050118430189
Qty.	25 pc(s).

Creation date September 22, 2022 9:15:35 PM CEST

Catalogue status 09.09.2022 / We reserve the right to make technical changes.

## SAIE-M8B-8S-F9THR

Weidmüller Interface GmbH &amp; Co. KG

Klingenbergstraße 26

D-32758 Detmold

Germany

www.weidmueller.com

## Technical data

## Dimensions and weights

Net weight	8.76 g
------------	--------

## Environmental Product Compliance

REACH SVHC	Lead 7439-92-1
------------	----------------

## Technical data of PCB plug-in connector

Coding	M8 = none
Housing surface	nickel-plated
Housings	M8 socket
Mounting height	9 mm
Mounting thread	M10
Number of poles	8
Shield connection	Yes
Type of mounting	Front mounting
Rated voltage	30 V
Rated voltage	60 V (3-pole) / 30 V (4-,5- and 8-pole)
Rated current	1.5 A
Rated current	4 A (3-, 4- and 5-pole) / 1.5 A (8-pole)
Temperature range	-30...80 °C
Protection degree	IP67
Contact surface	Au (Gold)
Housing main material	CuZn, nickel-plated
Connection thread	M8
Tightening torque	M8: 0.5 Nm
Mounting thread	M10
Mounting torque	max. 0.8 Nm
Mounting torque range	0.8 Nm
Mounting onto the PCB	THT/THR solder connection
Insulation strength	100 MΩ
Pollution severity	3 (2 within the sealed area)
Plugging cycles	≥ 100
Contact material	CuZn
Seal material	FPM
Lock nut material	Nickel-plated CuZn
Material of the flange-mounted housing	Nickel-plated CuZn
Grouting material	PUR

## General Info

Housing main material	CuZn, nickel-plated	Connection thread	M8
Contact material	CuZn	Contact surface	Au (Gold)
Type of mounting	Front mounting	Protection degree	IP67
Plugging cycles	≥ 100		

## Material data

Contact material	CuZn	Contact surface	Au (Gold)
------------------	------	-----------------	-----------

**SAIE-M8B-8S-F9THR**
**Weidmüller Interface GmbH & Co. KG**

Klingenbergstraße 26

D-32758 Detmold

Germany

[www.weidmueller.com](http://www.weidmueller.com)
**Technical data**
**System parameters**

Mounting onto the PCB	THT/THR solder connection	Insulation strength	100 MΩ
Number of poles	8	Pin series quantity	1
Plugging cycles	≥ 100	Protection degree	IP67

**Classifications**

ETIM 6.0	EC002638	ETIM 7.0	EC003568
ETIM 8.0	EC003568	ECLASS 9.0	27-44-03-09
ECLASS 9.1	27-44-03-09	ECLASS 10.0	27-44-03-09
ECLASS 11.0	27-44-01-10	ECLASS 12.0	27-44-01-10

**Approvals**

ROHS	Conform
------	---------

**Downloads**

Engineering Data	<a href="#">CAD data – STEP</a>
Catalogues	<a href="#">Catalogues in PDF-format</a>
Brochures	<a href="#">FL FIELDWIRING EN</a>

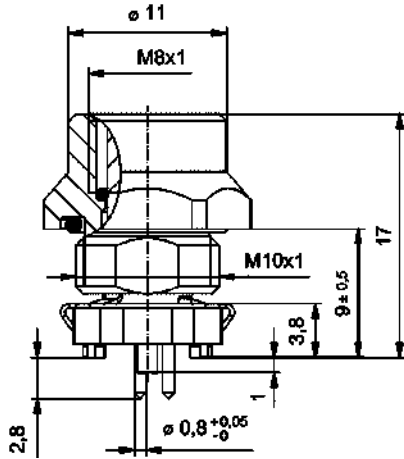
**SAIE-M8B-8S-F9THR**

**Weidmüller Interface GmbH & Co. KG**  
 Klingenbergstraße 26  
 D-32758 Detmold  
 Germany

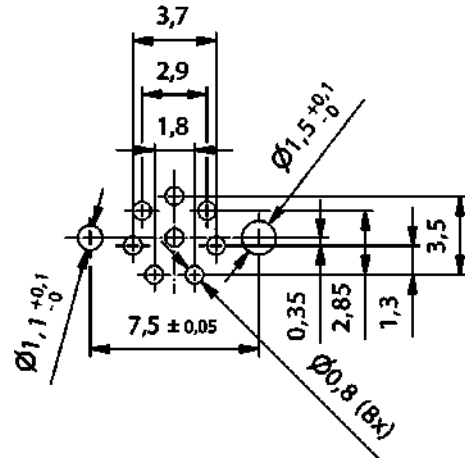
www.weidmueller.com

**Drawings**

**Dimensioned drawing**



**PCB design**



**Pole scheme**

