

SAID-M12S-8-9SMT**Weidmüller Interfaces GmbH & Co. KG**

Postfach 3030

32760 Detmold

Tel. +49 5231 14-0

Fax. +49 5231 14-2083

info@weidmueller.com

www.weidmueller.com

Similar to illustration

Weidmüller is one of the industry's leading international providers of connectors. An important mainstay in this product family are the circular connectors, which Weidmüller groups under the product name SAI. In the development of SAI products, Weidmüller engineers have always concentrated on achieving rational, cost-effective installation concepts, and – in cooperation with major users – have supplied the markets with well-conceived products which set standards in terms of functionality and quality across the globe. The best examples are the new power distributors with S and T coded M12. These modules are characterised by particularly high currents and voltages. This enables them to also be used, for example, with three-phase motors.

General ordering data

Version	Built-in plugs, M12, Pin, Number of poles: 8
Order No.	2422420000
Type	SAID-M12S-8-9SMT
GTIN (EAN)	4050118430738
Qty.	25 Stück

SAID-M12S-8-9SMT

Weidmüller Interfaces GmbH & Co. KG

Postfach 3030

32760 Detmold

Tel. +49 5231 14-0

Fax. +49 5231 14-2083

info@weidmueller.com

www.weidmueller.com

Technische Daten

Dimensions and weights

Net weight 3.68 g

Environmental Product Compliance

REACH SVHC Lead 7439-92-1

Technical data of PCB plug-in connector

Coding	A	Housings	M12 pin
Number of poles	8	Shield connection	No
Rated voltage	30 V	Rated voltage	250 V (4-pole) / 60 V (5-pole) / 30 V (8-pole)
Rated current	2 A	Rated current	4 A (4- and 5-pole) / 2 A (8-pole)
Temperature range	-25...95 °C	Protection degree	IP67
Contact surface	Au (Gold)	Housing main material	LCP
Connection thread	M12	Tightening torque	M12: 0.8 Nm
Pollution severity	3 (2 within the sealed area)	Plugging cycles	≥ 100
Contact material	CuZn	Lock nut material	Nickel-plated CuZn
Material of the flange-mounted housing	Nickel-plated CuZn		

General Info

UL 94 flammability rating	V-0	Housing main material	LCP
Connection thread	M12	Contact material	CuZn
Contact surface	Au (Gold)	Protection degree	IP67
Plugging cycles	≥ 100		

Material data

UL 94 flammability rating	V-0	Contact material	CuZn
Contact surface	Au (Gold)		

System parameters

Number of poles	8	Pin series quantity	1
Plugging cycles	≥ 100	Protection degree	IP67

Classifications

ETIM 6.0	EC000438	ETIM 7.0	EC003557
ETIM 8.0	EC003557	ECLASS 9.1	27-44-02-05
ECLASS 10.0	27-44-02-23	ECLASS 11.0	27-44-02-23
ECLASS 12.0	27-44-02-23		

Approvals

ROHS Conform

Downloads

Catalogues [Catalogues in PDF-format](#)

Brochures [FL FIELDWIRING EN](#)

Erstellungs-Datum September 23, 2022 9:39:07 AM CEST

Katalogstand 09.09.2022 / Technische Änderungen vorbehalten

SAID-M12S-8-9SMT

Weidmüller Interfaces GmbH & Co. KG

Postfach 3030

32760 Detmold

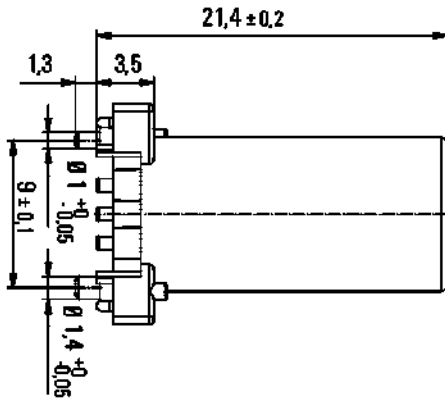
Tel. +49 5231 14-0

Fax. +49 5231 14-2083

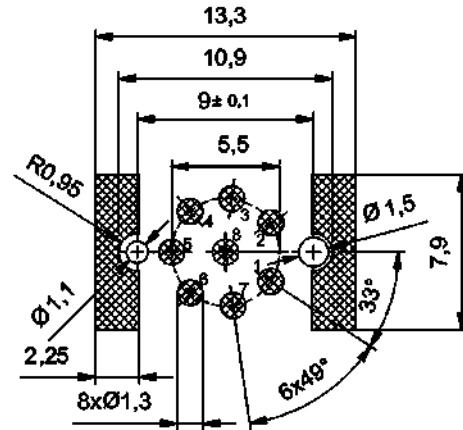
info@weidmueller.com

Zeichnungen

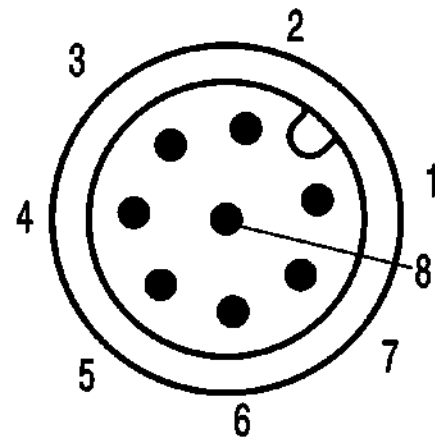
Dimensioned drawing



PCB design



Pole scheme



M12 = A-coded