

## SAIE-M12B-8S-H6.75TL

**Weidmüller Interfaces GmbH & Co. KG**

Postfach 3030

32760 Detmold

Tel. +49 5231 14-0

Fax. +49 5231 14-2083

info@weidmueller.com

www.weidmueller.com



Weidmüller is one of the industry's leading international providers of connectors. An important mainstay in this product family are the circular connectors, which Weidmüller groups under the product name SAI. In the development of SAI products, Weidmüller engineers have always concentrated on achieving rational, cost-effective installation concepts, and – in cooperation with major users – have supplied the markets with well-conceived products which set standards in terms of functionality and quality across the globe. The best examples are the new power distributors with S and T coded M12. These modules are characterised by particularly high currents and voltages. This enables them to also be used, for example, with three-phase motors.

### General ordering data

Version	Built-in plugs, M12, M 12, Number of poles: 8, Rear panel mounting
Order No.	<a href="#">2421940000</a>
Type	SAIE-M12B-8S-H6.75TL
GTIN (EAN)	4050118430660
Qty.	10 pc(s).

**SAIE-M12B-8S-H6.75TL**

Weidmüller Interfaces GmbH &amp; Co. KG

Postfach 3030

32760 Detmold

Tel. +49 5231 14-0

Fax. +49 5231 14-2083

info@weidmueller.com

www.weidmueller.com

**Technical data****Dimensions and weights**

Net weight 20 g

**Environmental Product Compliance**

REACH SVHC Lead 7439-92-1

**Technical data of PCB plug-in connector**

Coding	A
Housing surface	nickel-plated
Housings	M12 socket
Mounting height	6.75 mm
Mounting thread	M16
Number of poles	8
Shield connection	Yes
Type of mounting	Rear panel mounting
Rated voltage	30 V
Rated voltage	250 V (4-pole) / 60 V (5-pole) / 30 V (8-pole)
Rated current	2 A
Rated current	4 A (5-pole) / 2 A (8-pole)
Temperature range	-30...80 °C
Protection degree	IP67
Contact surface	Au (Gold)
Housing main material	CuZn, nickel-plated
Connection thread	M12
Tightening torque	M12: 0.8 Nm
Mounting thread	M 16
Mounting torque	max. 1.2 Nm
Mounting torque range	1.2 Nm
Mounting onto the PCB	THT solder connection
Insulation strength	100 MΩ
Pollution severity	3 (2 within the sealed area)
Plugging cycles	≥ 100
Contact material	CuZn
Lock nut material	Nickel-plated CuZn
Material of the flange-mounted housing	Nickel-plated CuZn

**General Info**

Housing main material	CuZn, nickel-plated	Connection thread	M12
Contact material	CuZn	Contact surface	Au (Gold)
Type of mounting	Rear panel mounting	Protection degree	IP67
Plugging cycles	≥ 100		

**Material data**

Contact material	CuZn	Contact surface	Au (Gold)
------------------	------	-----------------	-----------

**System parameters**

Mounting onto the PCB	THT solder connection	Insulation strength	100 MΩ
Number of poles	8	Pin series quantity	1
Plugging cycles	≥ 100	Protection degree	IP67

Creation date June 20, 2022 11:35:24 AM CEST

Catalogue status 03.06.2022 / We reserve the right to make technical changes.

## SAIE-M12B-8S-H6.75TL

**Weidmüller Interfaces GmbH & Co. KG**

Postfach 3030

32760 Detmold

Tel. +49 5231 14-0

Fax. +49 5231 14-2083

[info@weidmueller.com](mailto:info@weidmueller.com)

[www.weidmueller.com](http://www.weidmueller.com)

# Technical data

### Classifications

ETIM 6.0	EC002638	ETIM 7.0	EC003568
ETIM 8.0	EC003568	ECLASS 9.0	27-44-03-09
ECLASS 9.1	27-44-03-09	ECLASS 10.0	27-44-03-09
ECLASS 11.0	27-44-01-10	ECLASS 12.0	27-44-01-10

### Approvals

ROHS	Conform
------	---------

### Downloads

Engineering Data	<a href="#">CAD data – STEP</a>
Catalogues	<a href="#">Catalogues in PDF-format</a>
Brochures	<a href="#">FL FIELDWIRING EN</a>

**SAIE-M12B-8S-H6.75TL**

**Weidmüller Interfaces GmbH & Co. KG**

Postfach 3030

32760 Detmold

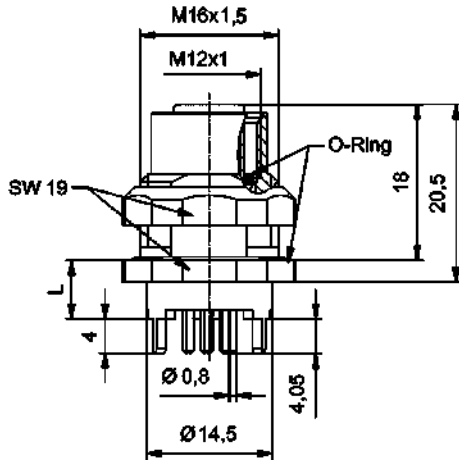
Tel. +49 5231 14-0

Fax. +49 5231 14-2083

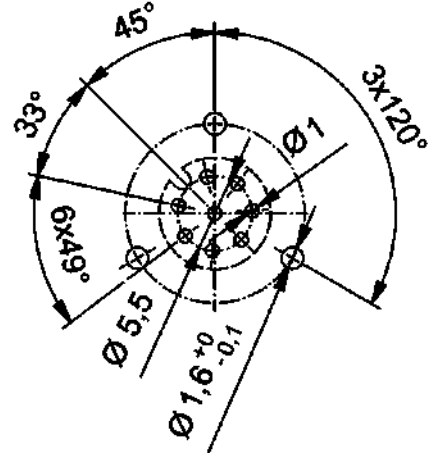
info@weidmueller.com

**Drawings**

**Dimensioned drawing**



**PCB design**



**Pole scheme**

