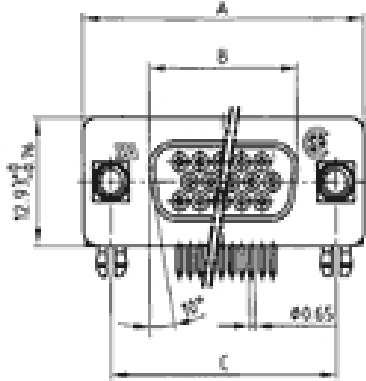


C-Filter D-Sub Connector
 High Density
 Solder pin angled .350" (7.98 mm)
 with metal bracket,
 threaded lock and clip

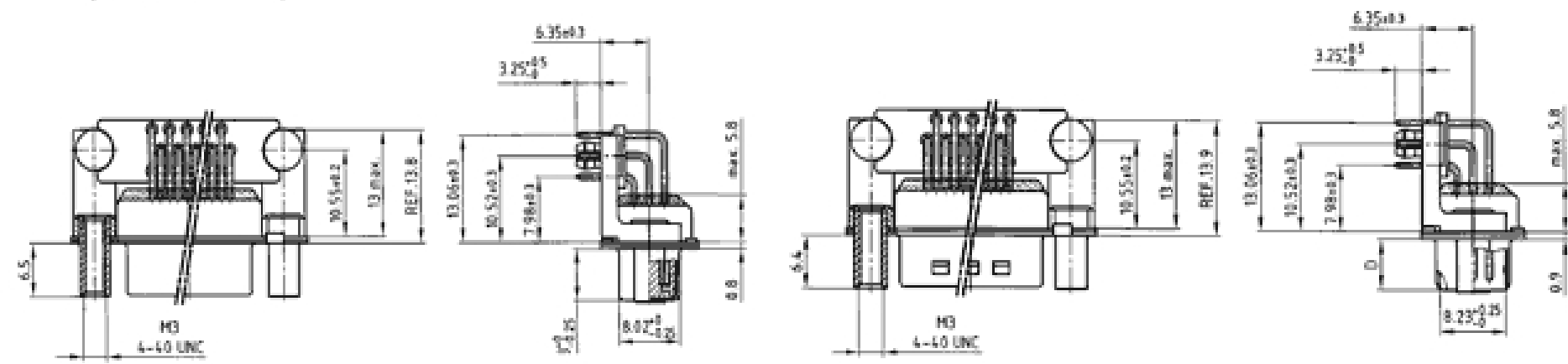
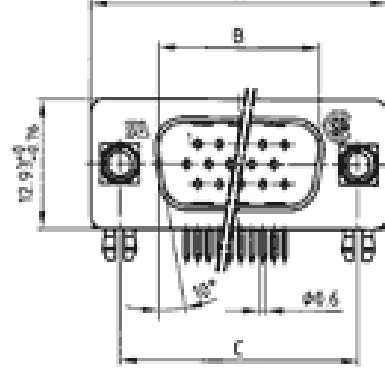


(click on the schematic(s) for a more detailed view)

Socket connector



Plug connector



Socket Connector

No. of pos.	A -0,76	B -0,25	C
15	31,19	16,46	25,00 ^{+0,12} / _{-0,13}
26	39,52	24,79	33,30 ^{+0,15} / _{-0,10}
44	53,42	38,50	47,04 ^{+0,13}
62	69,70	54,96	63,50 ^{+0,13}

Plug Connector

No. of pos.	A -0,76	B +0,25	C	D -0,30
15	31,19	16,79	25,00 ^{+0,12} / _{-0,13}	6,12
26	39,52	25,12	33,30 ^{+0,15} / _{-0,10}	6,12
44	53,42	38,84	47,04 ^{+0,13}	5,99
62	69,70	55,30	63,50 ^{+0,13}	5,99

Part Numbers

No. of Pos.		Socket connector		
		180 pF	370 pF	830 pF
15	thread UNC 4-40	242 A 28260 X	242 A 19650 X	242 A 19690 X
26		242 A 28270 X	242 A 19660 X	242 A 19700 X
44		242 A 28280 X	242 A 19670 X	242 A 19710 X
62		242 A 28290 X	242 A 19680 X	242 A 19720 X
15	thread M 3	242 A 28300 X	242 A 19730 X	242 A 19770 X
26		242 A 28310 X	242 A 19740 X	242 A 19780 X
44		242 A 28320 X	242 A 19750 X	242 A 19790 X
62		242 A 28330 X	242 A 19760 X	242 A 19800 X

No. of Pos.		Plug connector		
		180 pF	370 pF	830 pF
15	thread UNC 4-40	241 A 28360 X	241 A 18060 X	241 A 18100 X
26		241 A 28370 X	241 A 18070 X	241 A 18110 X
44		241 A 28380 X	241 A 18080 X	241 A 18120 X
62		241 A 28390 X	241 A 18090 X	241 A 18130 X
15	thread M 3	241 A 28400 X	241 A 18140 X	241 A 18180 X
26		241 A 28410 X	241 A 18150 X	241 A 18190 X
44		241 A 28420 X	241 A 18160 X	241 A 18200 X
62		241 A 28430 X	241 A 18170 X	241 A 18210 X



REG.-Nr. 40000441



File #: E202784



File #: LR115000