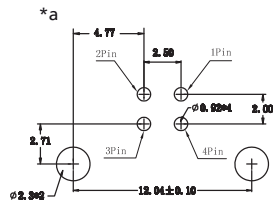
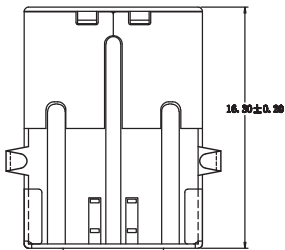
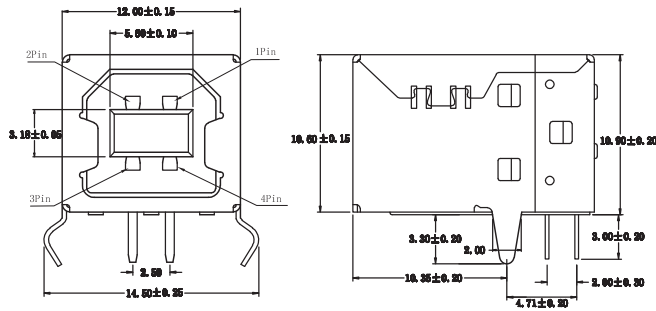




USB and IEEE 1394 connectors



USB 2.0 chassis socket type B, angular version, for printed circuit boards



*a printed circuit board layout, components side view

Environmental conditions

Temperature range -40 °C/+85 °C

Materials

Insulating body PBT, V-0 according to UL94
Contact spring CuZn, gold-plated in mating area, tin-plated in solder area
Housing CuZn/steel, nickel-plated

Mechanical data

Mating cycles 1500
Insertion force ≤ 35 N
Withdrawal force ≥ 10 N

Electrical data (at T_{amb} 20 °C)

Contact resistance ≤ 30 m Ω
Rated current 1.5 A
Rated voltage 30 V DC
Rated impulse voltage 500 V AC
Insulation resistance ≥ 1 G Ω

Associated products

24

2411 06



Designation	Pole Number	PU (Pieces)	MDQ (Pieces)
2411 06	4	100	500

Packaging:
in a tray