



362 SERIES Indicator Base

MECHANICAL / SPECIFICATIONS

BASE PART NUMBER:

[362-8430-09-702](#)

MOUNTING:

15/32" clearance hole (.468")

MOUNTING ORIENTATION:

Front

BULB BASE SIZE:

T-1 3/4 Midget Flange

TERMINATION:

Brass solder terminals, hot tinned with elongated slots

HOUSING FINISH:

Aluminum housing, yellow iridescent chromate finish

HARDWARE: Steel

VOLTAGE / RESISTOR:

Bulb Dependent

LENS CAP OPTIONS:

Flat

+ EMI/RFI mesh shielding internal

MILITARY COMPLIANT: Yes

MILITARY CROSS #: LH73/2

CERTIFICATIONS & RATINGS

RoHS Compliant w/6C exemption

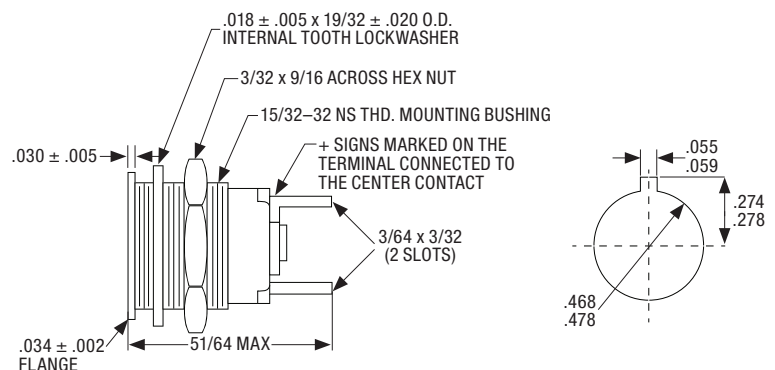
FEATURES & BENEFITS

- EMI/RFI Shielding
- Two terminals – fully insulated
- For mounting in 15/32" clearance hole
- Meet or exceed environmental and operational requirements of MIL-L-6723 and MIL-L-3661C
- Anti-rotation (locked) construction: provides for secure locking of the socket terminal assembly in the mounting bushing and of the center terminal to the insulating disc. The notched mounting bushing receives the matched insulating disc to prevent the rotation of the mounting bushing.

APPLICATION

- Aircraft avionics
- Ground vehicles
- Naval control rooms
- Radar and sonar systems
- Missile systems
- Satellite communication systems
- Electronic warfare systems
- Command and control centers
- UAVs
- Communication equipment

DIMENSIONS inches [mm]

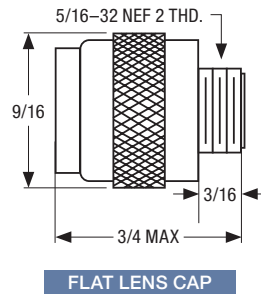


MAX PANEL THICKNESS 3/16"

RECOMMENDED PANEL CUTOUT

Base, bulb, and cap are required for a complete indicator assembly and need to be purchased separately.

ORDERING INFORMATION



FLAT LENS CAP
Non-Diffused – RFI/EMI Shielding

	Type Designation	Part Number	Lens Cap Color
	LC25RN2	239-0331-500	● Red
	LC25GN2	239-0332-500	● Green
	LC25YN2	239-0333-500	● Yellow
	LC25BN2	239-0334-500	● Blue
	LC25CN2	239-0337-500	○ Clear

Translucent – RFI/EMI Shielding

	Type Designation	Part Number	Lens Cap Color
	LC25RT2	239-0371-500	● Red
	LC25GT2	239-0372-500	● Green
	LC25YT2	239-0373-500	● Yellow
	LC25BT2	239-0374-500	● Blue
	LC25WT2	239-0375-500	○ White