

2376800-1 ✓ ACTIVE

RAYCHEM

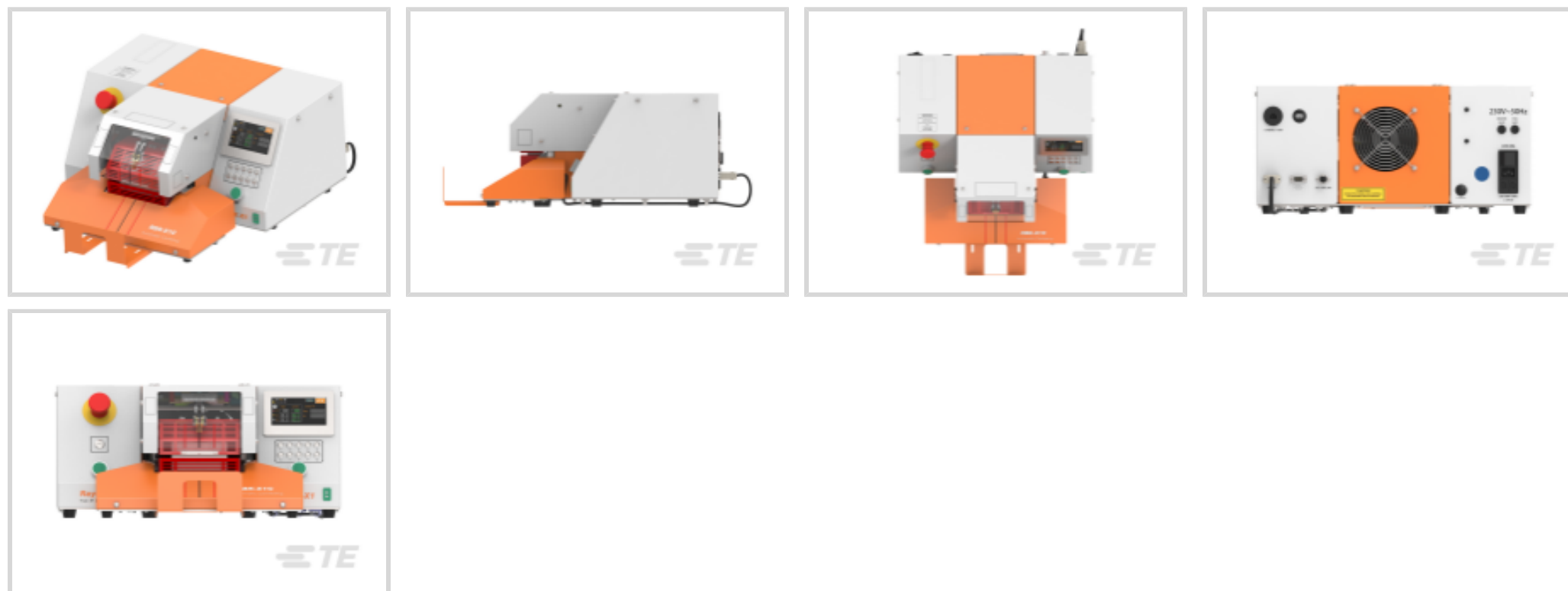
TE Internal #: 2376800-1

Discrete, Americas / Asia Pacific, In-Line Splice / Ring Terminal /
Stub Splice, Machines & Equipment, 220 V, Heat Shrink Equipment

[View on TE.com >](#)



Application Tooling > Heat Shrink Equipment



Equipment Processing Type: **Discrete**

Applicable Region: **Americas, Asia Pacific**

Heat Shrink Equipment Application: **In-Line Splice, Ring Terminal, Stub Splice**

Tooling Type: **Machines & Equipment**

Operating Voltage: **220 V**

Features

Electrical Characteristics

Operating Voltage	220 V
-------------------	-------

Dimensions

Tubing Outer Diameter (Max)	≤ 19 mm
-----------------------------	---------

Tubing Length (Max)	≤ 65 mm
---------------------	---------

Product Availability

Applicable Region	Americas, Asia Pacific
-------------------	------------------------

Other

Equipment Processing Type	Discrete
---------------------------	----------

Heat Shrink Equipment Application	In-Line Splice, Ring Terminal, Stub Splice
-----------------------------------	--

Tooling Type	Machines & Equipment
--------------	----------------------

Substrate Length Max	65 mm
----------------------	-------

Substrate Outside Diameter Max	20 mm
--------------------------------	-------

Product Compliance

[For compliance documentation, visit the product page on TE.com>](#)



EU RoHS Directive 2011/65/EU	Compliant
EU ELV Directive 2000/53/EC	Out of Scope
China RoHS 2 Directive MIIT Order No 32, 2016	No Restricted Materials Above Threshold
EU REACH Regulation (EC) No. 1907/2006	Current ECHA Candidate List: JUNE 2024 (241) Candidate List Declared Against: JAN 2023 (233) Does not contain REACH SVHC
Halogen Content	Low Halogen - Br, Cl, F, I < 900 ppm per homogenous material. Also BFR/CFR/PVC Free
Solder Process Capability	Not applicable for solder process capability

Product Compliance Disclaimer

This information is provided based on reasonable inquiry of our suppliers and represents our current actual knowledge based on the information they provided. This information is subject to change. The part numbers that TE has identified as EU RoHS compliant have a maximum concentration of 0.1% by weight in homogenous materials for lead, hexavalent chromium, mercury, PBB, PBDE, DBP, BBP, DEHP, DIBP, and 0.01% for cadmium, or qualify for an exemption to these limits as defined in the Annexes of Directive 2011/65/EU (RoHS2). Finished electrical and electronic equipment products will be CE marked as required by Directive 2011/65/EU. Components may not be CE marked. Additionally, the part numbers that TE has identified as EU ELV compliant have a maximum concentration of 0.1% by weight in homogenous materials for lead, hexavalent chromium, and mercury, and 0.01% for cadmium, or qualify for an exemption to these limits as defined in the Annexes of Directive 2000/53/EC (ELV). Regarding the REACH Regulation, the information TE provides on SVHC in articles for this part number is based on the latest European Chemicals Agency (ECHA) 'Guidance on requirements for substances in articles' posted at this URL: <https://echa.europa.eu/guidance-documents/guidance-on-reach>

Compatible Parts



TE Part # CAT-HST-DWFR
DWFR Heat Shrink Tubing



TE Part # CAT-HSC-ESCAP1
Splice Sealing End Cap(ES-Cap)



TE Part # CAT-HST-SCT
SCT Heat Shrink Tubing



TE Part # 829131P021
ES2000-NO.1-C1-0-STK



TE Part # CAT-HST-ES1000
ES1000 Heat Shrink Tubing



TE Part # 063725P013
ES2000-NO.2-B9-0-75MM



TE Part # 063725P080
ES2000-NO.2-B9-0-33MM



TE Part # 063725P078
ES2000-NO.2-B9-0-38MM




TE Part # 130599P007
ES2000-NO.4-B7-0-60MM



TE Part # 829131P051
ES2000-NO.1-C1-0-40MM



TE Part # 063725P028
ES2000-NO.2-B9-0-25MM



TE Part # 826309-000
ES2000-NO.1-C1-0-45MM



TE Part # 829131P043
ES2000-NO.1-C1-0-35MM



TE Part # 350582-000
ES2000-NO.3-B8-0-35MM



TE Part # 829131P079
ES2000-NO.1-C1-0-15MM



TE Part # 089543-000
ES2000-NO.3-B8-0-38MM



TE Part # 063725P011
ES2000-NO.2-B9-0-50MM



TE Part # D04950-000
ES2000-NO.1-C1-0-38MM



TE Part # 829131P011
ES2000-NO.1-C1-0-30MM



TE Part # 829131P012
ES2000-NO.1-C1-0-50MM

Customers Also Bought



TE Part #165563-1
110 PIDG FASTON REC



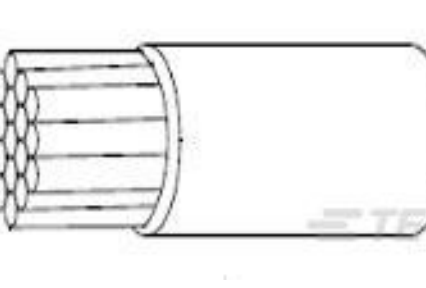
TE Part #FC2211-0000-0100-L
MID RANGE COMPRESSION SENSOR



TE Part #20009605-07
FX292X-100A-0100-L



TE Part #216029-000
55A0111-24-4



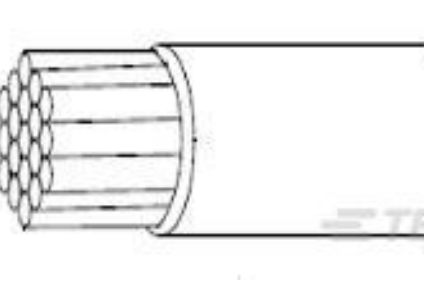
TE Part #769817-002
22759/32-24-0



TE Part #1-929089-1
3POS MQS FFC REC COD A



TE Part #2234986-1
TRANSFORMER 110V INPUT/220V OUPUT



TE Part #530604-002
22759/32-24-2



Documents

Product Drawings

[RBK-X1C STD](#)

English

Instruction Sheets

[RBK-X1C CE Heat Shrink Machine](#)

[409-35022-TUR](#)

[HEAT SHRINK MACHINE, BARCODE SCANNING INSTRUCTION](#)

English

[RBK-X1/X1C Heat Shrink Machine](#)

English

[RBK-X1C CE Heat Shrink Machine, PN 2376800-2](#)

French

[RBK-X1C CE Heat Shrink Machine, PN 2376800-2](#)

[RBK-X1C CE Heat Shrink Machine, PN 2376800-2](#)

German

[409-35022-CZE](#)

[409-35022-POR](#)

[409-35022-ITA](#)

[409-35022-JPN](#)

Japanese

[RBK-X1/X1C Heat Shrink Machine-CHI](#)

[RBK-X1/X1C Heat Shrink Machine-DUT](#)

[RBK-X1/X1C Heat Shrink Machine-RON](#)

[409-35022-LIT](#)

[409-35022-SLO](#)

[RBK-X1C CE Heat Shrink Machine](#)