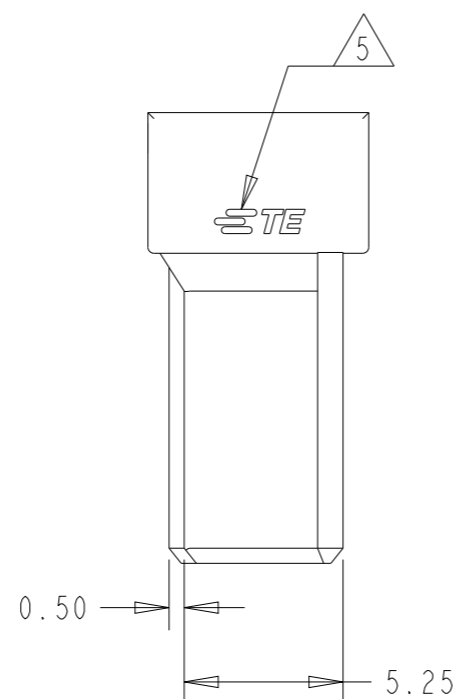
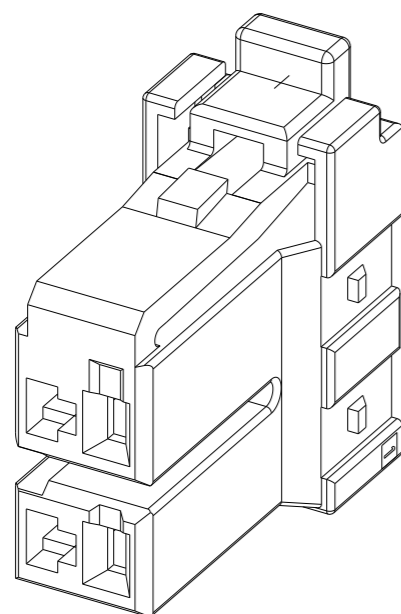
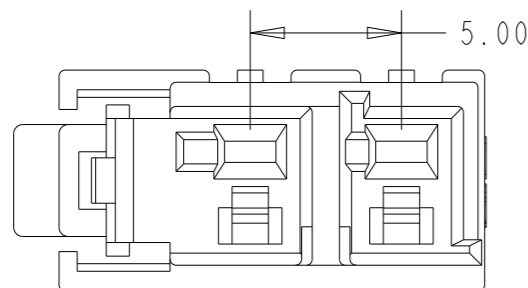
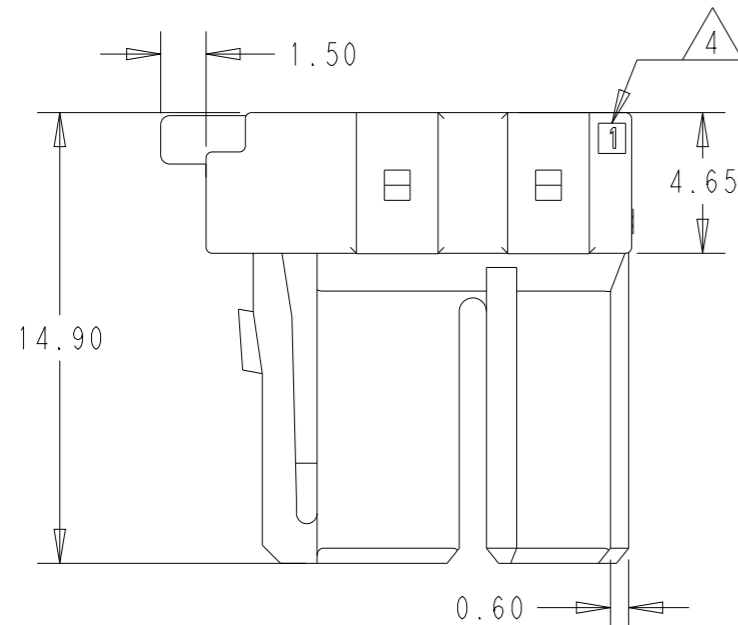
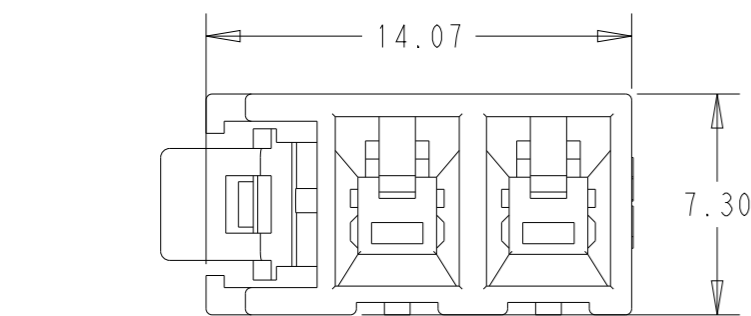


P	LTR	DESCRIPTION	DATE	DWN	APVD
A		RELEASED	20NOV2023	KS	DZ



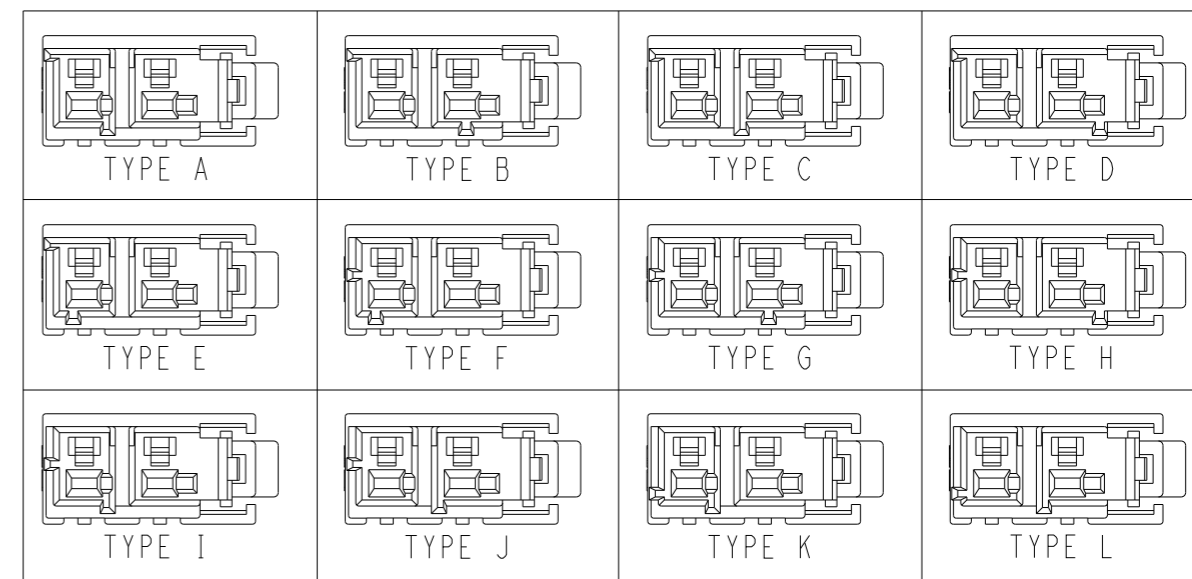
1 MATERIAL: PA66 GF, UL-94 V0.
GWEPT 750°C WITHOUT FLAME PER IEC 60335-1.

2. MATING PARTS: SEE TABLE.

3. APPLICABLE TERMINAL: 1376347-X AND 1376348-X.

4 CIRCUIT NUMBER.

5 TRADE MARK.



KEYING TYPE
(SCALE 2:1)

1-2371337-2	L	PINK	1-2371224-2
1-2371337-1	K	GREEN	1-2371224-1
1-2371337-0	J	RED	1-2371224-0
2371337-9	I	GRAY	2371224-9
2371337-8	H	BROWN	2371224-8
2371337-7	G	BLACK	2371224-7
2371337-6	F	PALE GREEN	2371224-6
2371337-5	E	PURPLE	2371224-5
2371337-4	D	YELLOW	2371224-4
2371337-3	C	BLUE	2371224-3
2371337-2	B	VIOLET	2371224-2
2371337-1	A	NATURAL	2371224-1
MATING P/N	KEYING	COLOR	PART NUMBER

THIS DRAWING IS A CONTROLLED DOCUMENT.		DWN	KEN SAKAI 27JUL2022	
DIMENSIONS: mm		CHK	KEN SAKAI 27JUL2022	
TOLERANCES UNLESS OTHERWISE SPECIFIED: ± 0.3		APVD	DANIEL ZHANG 27JUL2022	
<ul style="list-style-type: none"> 0 PLC ± 1 PLC ± 2 PLC ± 3 PLC ± 4 PLC ± ANGLES ± 3° FINISH - 		PRODUCT SPEC	108-106528	
MATERIAL		APPLICATION SPEC	114-5292	
1		WEIGHT	0.9g	
		CUSTOMER DRAWING		
		TE Connectivity		NAME PLUG HOUSING, 2P 5.0 POWER KEY CONNECTOR
		SIZE	CAGE CODE	DRAWING NO
		A3	00779	C-2371224
		RESTRICTED TO		-
		SCALE	SHEET	OF
		4:1	1	1
		REV		A

Mouser Electronics

Authorized Distributor

Click to View Pricing, Inventory, Delivery & Lifecycle Information:

[TE Connectivity:](#)

[2371224-4](#) [2371224-1](#) [2371224-3](#) [1-2371224-0](#)