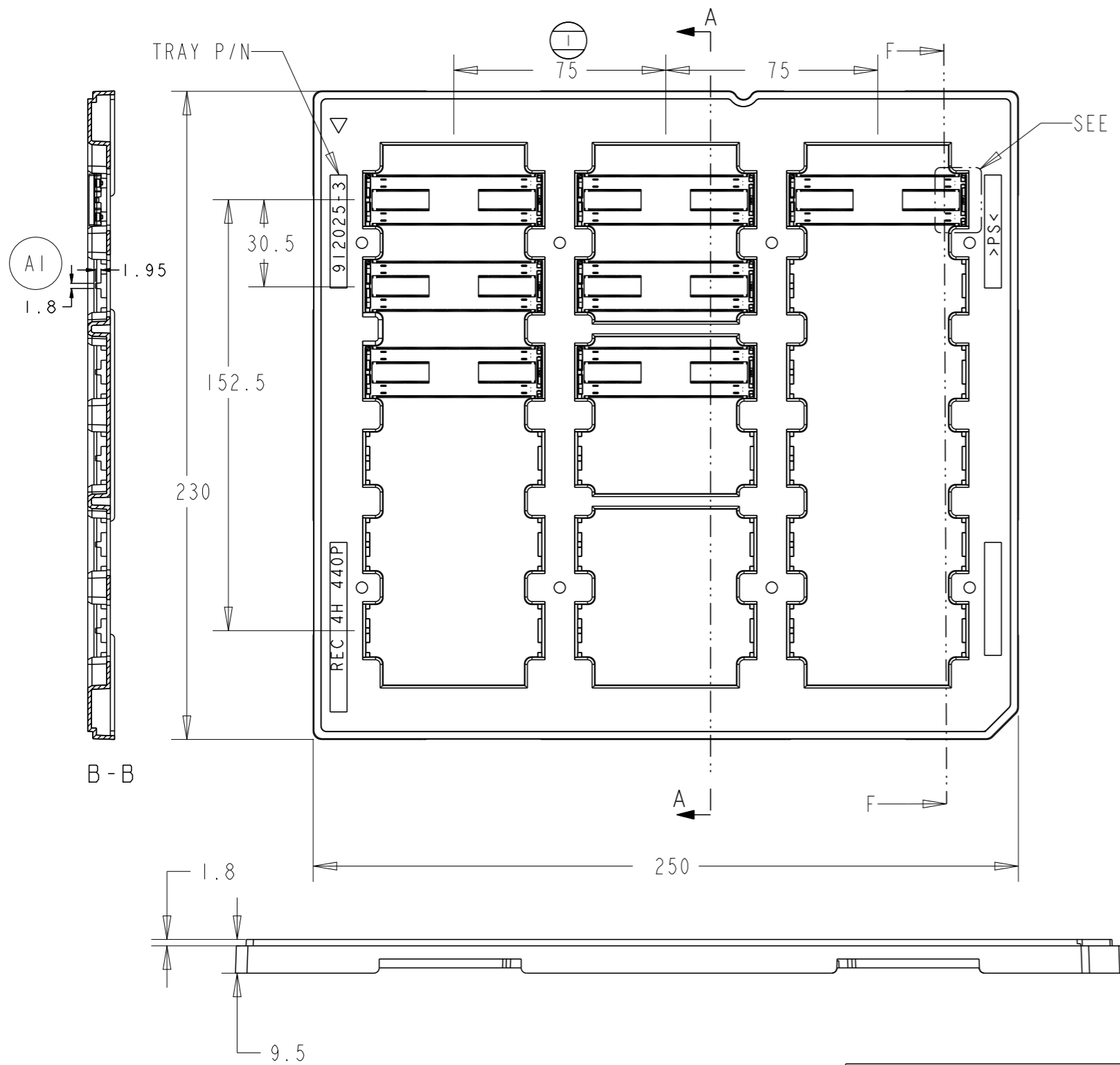



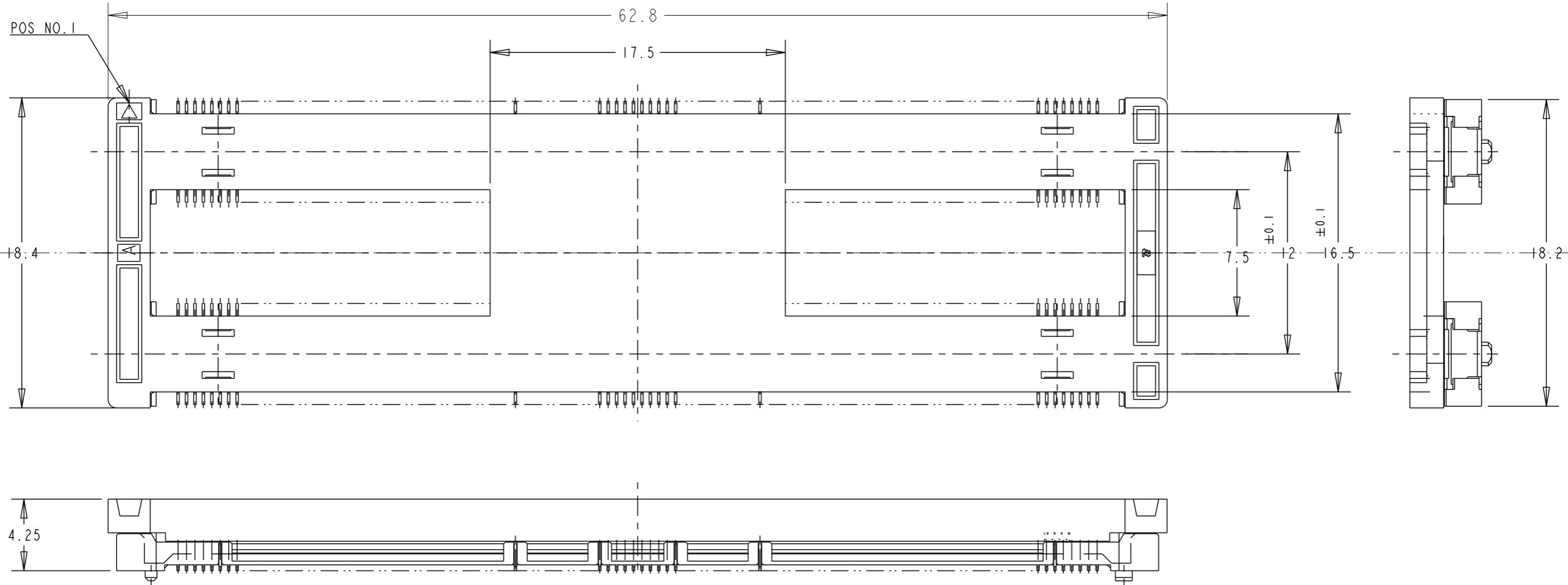
P	LTR	DESCRIPTION	DATE	DWN	APVD
A		FORMAL RELEASE	13OCT2020	A.L	H.L
A1		PER PCN-22-157376	11NOV2022	MC	HL
B2		REMOVE CAP BULGE	20OCT2023	M.C	H.L
B1		UPDATE CAP BULGE FEATURE	2023/09/12	M.C	H.L



B	30u"	2369315-2
	8u"	2369315-1
MATING ZONE PRECIOUS PLATING THICKNESS		P/N

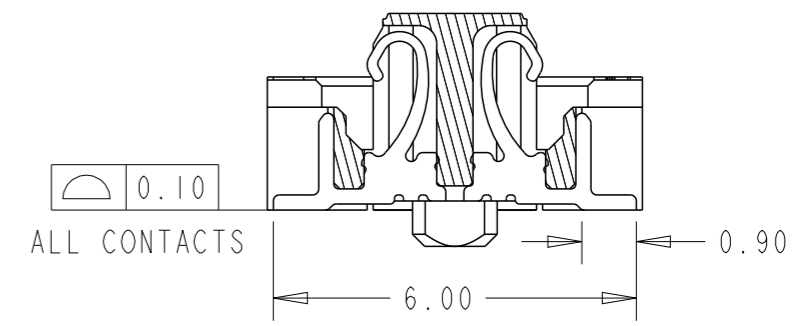
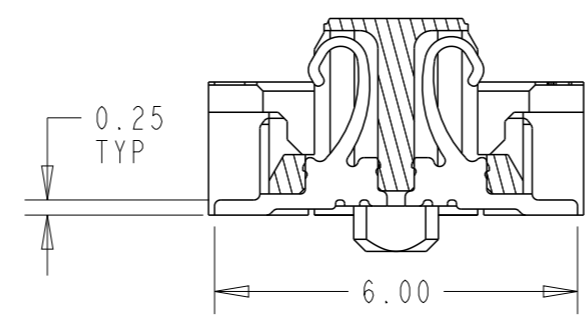
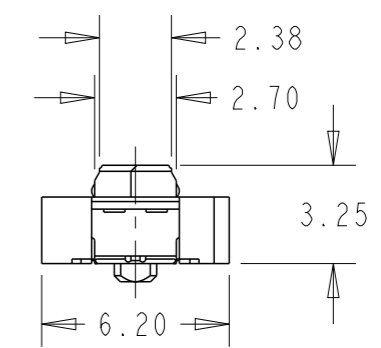
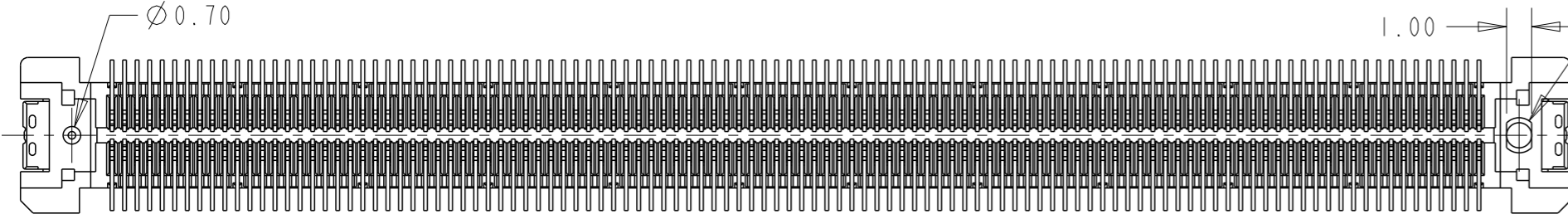
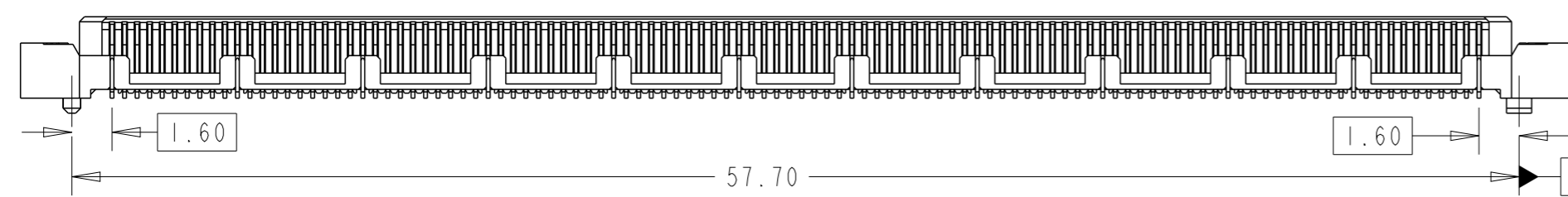
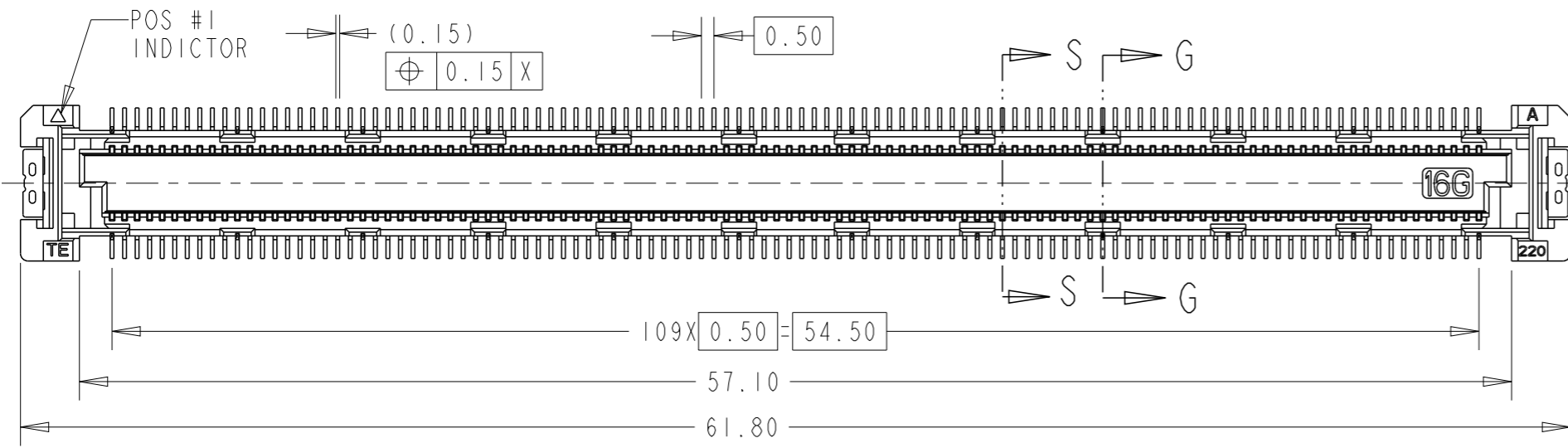
THIS DRAWING IS A CONTROLLED DOCUMENT.		DWN	Art Lin	24FEB2020	 TE Connectivity
DIMENSIONS: mm		CHK	HOPE LU	26FEB2020	
TOLERANCES UNLESS OTHERWISE SPECIFIED:		APVD	HOPE LU	26FEB2020	
0 PLC ±0.5 1 PLC ±0.1 2 PLC ±0.05 3 PLC ±0.025 4 PLC ±0.0100 ANGLES ±3		PRODUCT SPEC	108-32658	NAME	
MATERIAL	SEE NOTE 1	FINISH	SEE NOTE 2	APPLICATION SPEC	114-115003
		WEIGHT	-	SIZE	A3
		CUSTOMER DRAWING		CAGE CODE	00779
				DRAWING NO	2369315
				RESTRICTED TO	-
				SCALE	1:1
				SHEET	1 OF 4
				REV	B2

P	LTR	DESCRIPTION	DATE	DWN	APVD
-	-	SEE SHEET 1	-	-	-



THIS DRAWING IS A CONTROLLED DOCUMENT.		DWN	24FEB2020		
		CHK	Art Lin 26FEB2020		
		APVD	HOPE LU 26FEB2020		
		PRODUCT SPEC	HOPE LU 26FEB2020		
DIMENSIONS: mm		TOLERANCES UNLESS OTHERWISE SPECIFIED:		NAME	
		0 PLC ±0.5		4H RECEPTACLE ASSY 440POS	
		1 PLC ±0.1		FH 0.5 BTB 16Gbps	
		2 PLC ±0.05		SIZE	
		3 PLC ±0.025		CAGE CODE	
		4 PLC ±0.0100		DRAWING NO	
MATERIAL		FINISH		RESTRICTED TO	
SEE NOTE 1		SEE NOTE 2		-	
		APPLICATION SPEC		SCALE	
		114-115003		1:1	
		WEIGHT		SHEET	
		-		2 OF 4	
		CUSTOMER DRAWING		REV	
				B2	

P	LTR	DESCRIPTION	DATE	DWN	APVD
-	-	SEE SHEET 1	-	-	-



SECTION G-G  
SCALE 8:1  
(GROUND CONTACTS)

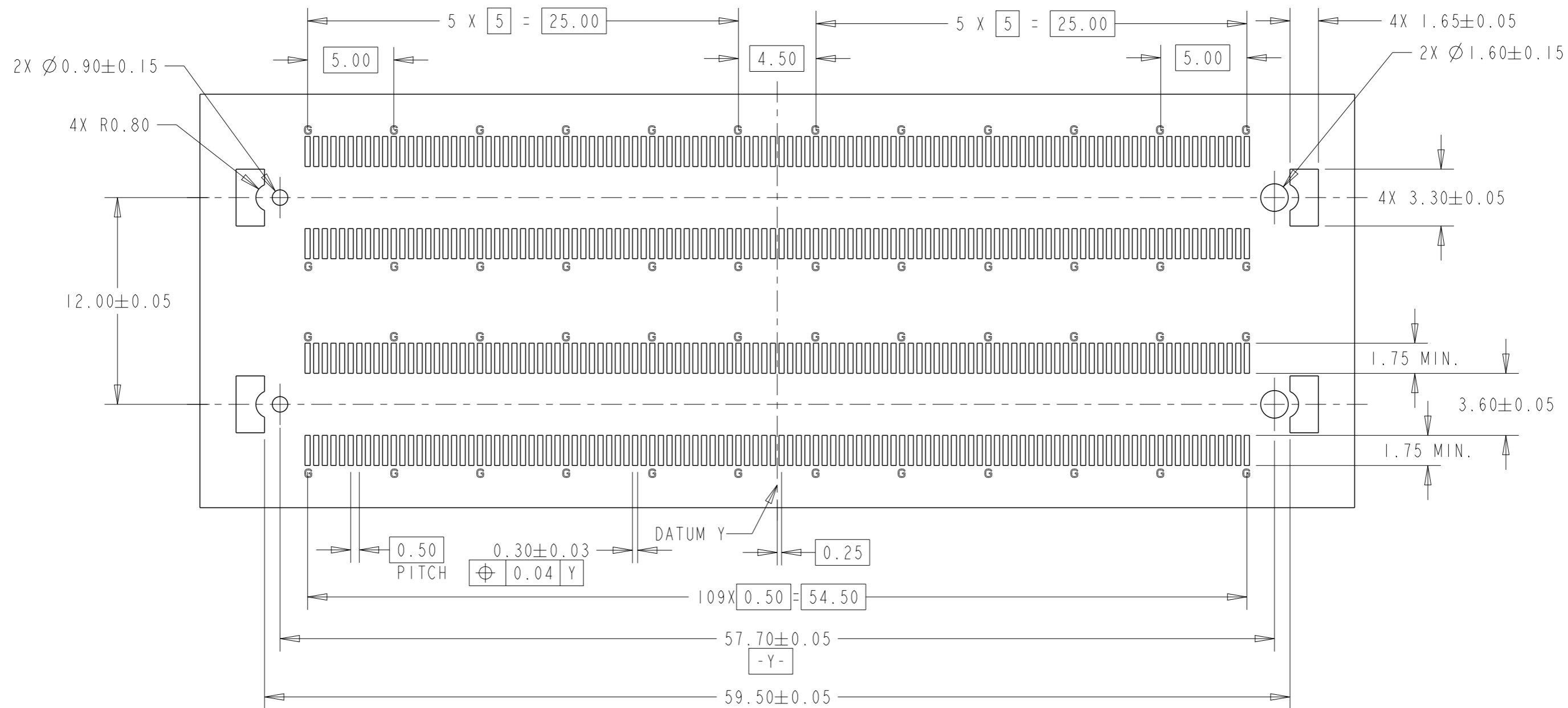
SECTION S-S  
SCALE 8:1  
(SIGNAL CONTACTS)

NOTES:


- MATERIAL  
HOUSING : HIGH TEMP THERMO PLASTIC UL94V-0  
CONTACT : COPPER ALLOY  
SOLDER PEG : COPPER ALLOY
- FINISH  
UNDERPLATED : 1.27µm MIN. NICKEL ALL OVER  
CONTACT MATING AREA : MEETS THE PERFORMANCE REQUIREMENTS OF TE CONNECTIVITY PRODUCT SPECIFICATION 108-32658.  
SOLDER AREA : GOLD FLASH
- CAP COLOR IS BLACK.

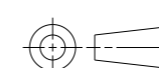
THIS DRAWING IS A CONTROLLED DOCUMENT.		DWN	24FEB2020		
		Art Lin			
		CHK	26FEB2020		
		HOPE LU			
		APVD	26FEB2020		
		HOPE LU			
		PRODUCT SPEC	108-32658		
		APPLICATION SPEC	114-115003		
		WEIGHT	-		
		CUSTOMER DRAWING			
DIMENSIONS: mm		TOLERANCES UNLESS OTHERWISE SPECIFIED:		 TE Connectivity NAME 4H RECEPTACLE ASSY 440POS FH 0.5 BTB 16Gbps SIZE A3 CAGE CODE 00779 DRAWING NO 2369315 RESTRICTED TO -	
		0 PLC	±0.5		
		1 PLC	±0.1		
		2 PLC	±0.05		
		3 PLC	±0.025		
		4 PLC	±0.0100		
		ANGLES	±3		
MATERIAL		FINISH			
SEE NOTE 1		SEE NOTE 2			
		SCALE	1:1		
		SHEET	3 OF 4		
		REV	B2		

P	LTR	DESCRIPTION	DATE	DWN	APVD
-	-	SEE SHEET 1	-	-	-



SCALE 4:1  
REFERENCE P.C.BOARD LAYOUT  
G:Ground

THIS DRAWING IS A CONTROLLED DOCUMENT.		DWN	24FEB2020		 TE Connectivity
		Art Lin			
		CHK	26FEB2020		
		HOPE LU			
		APVD	26FEB2020		NAME
		HOPE LU			4H RECEPTACLE ASSY 440POS
		PRODUCT SPEC	108-32658		FH 0.5 BTB 16Gbps
		APPLICATION SPEC	114-115003		SIZE
		WEIGHT	-		A3
		CUSTOMER DRAWING			CAGE CODE
					00779
					DRAWING NO
					2369315
					RESTRICTED TO
					-
					SCALE
					1:1
					SHEET
					4 OF 4
					REV
					B2

DIMENSIONS:		TOLERANCES UNLESS OTHERWISE SPECIFIED:	
mm			
		0 PLC	± 0.5
		1 PLC	± 0.1
		2 PLC	± 0.05
		3 PLC	± 0.025
		4 PLC	± 0.0100
MATERIAL		FINISH	
SEE NOTE 1		SEE NOTE 2	