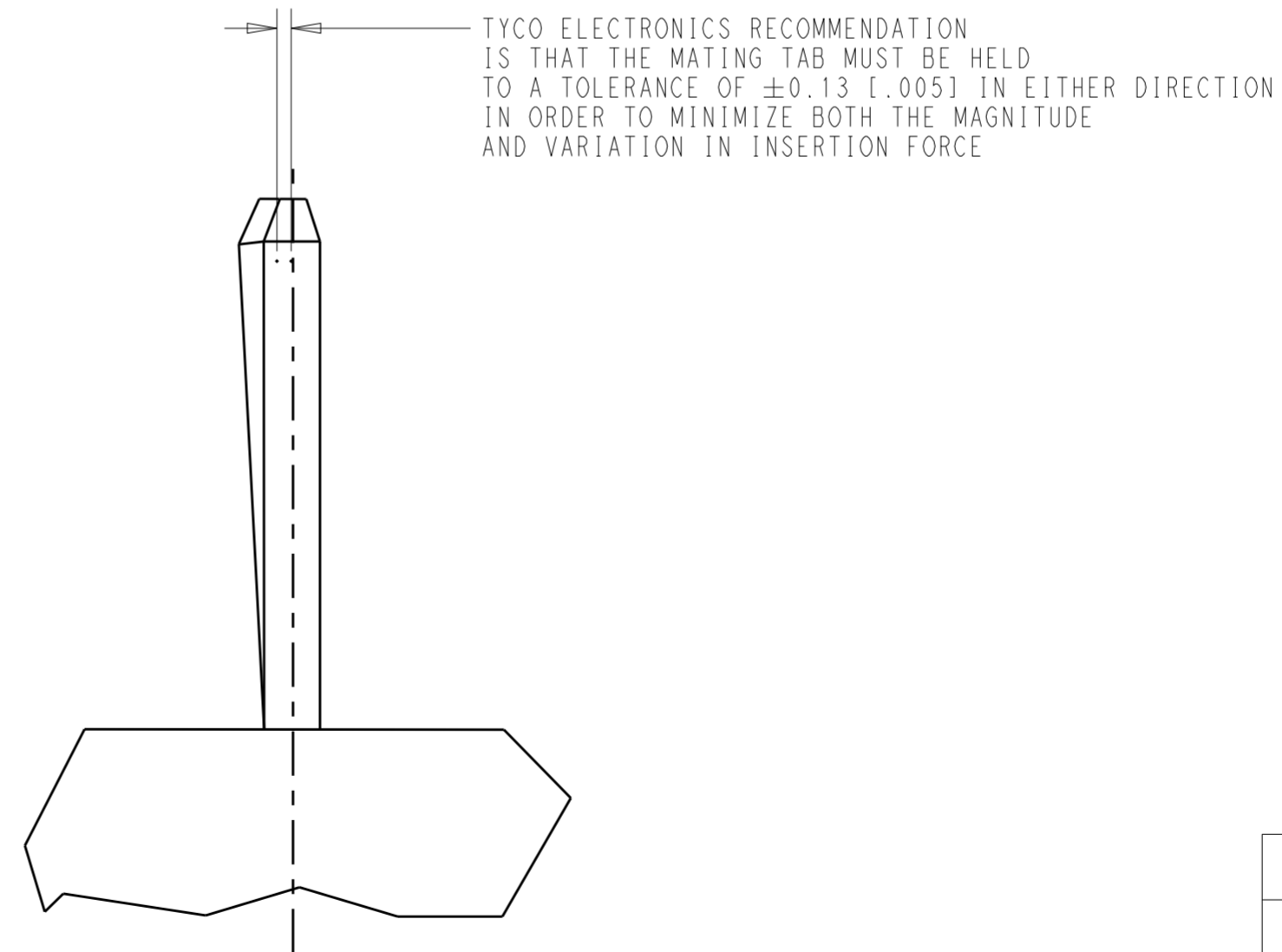
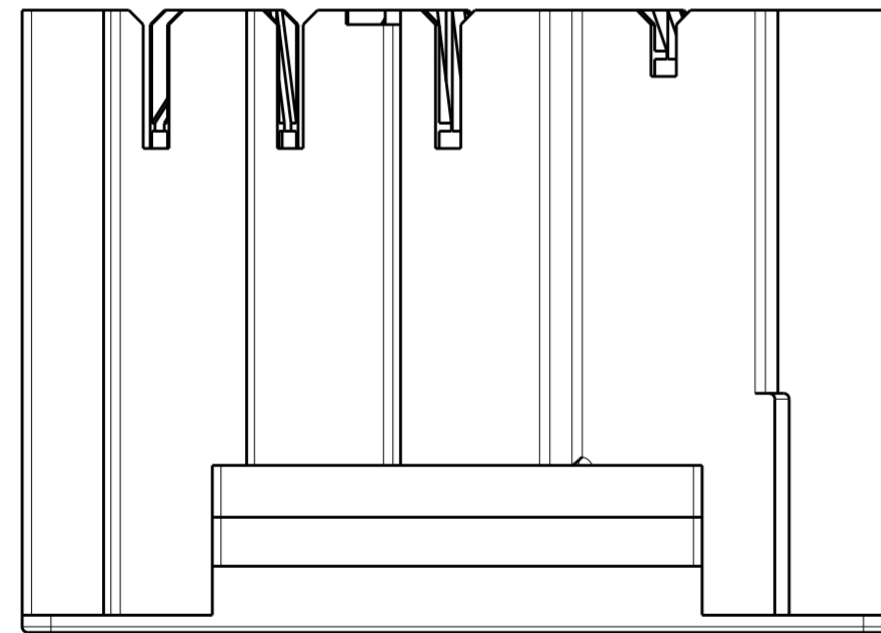
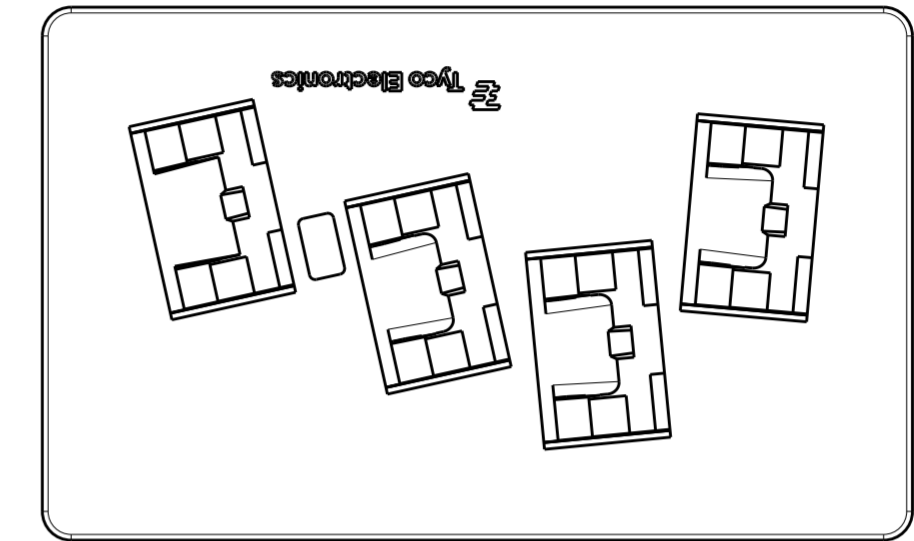
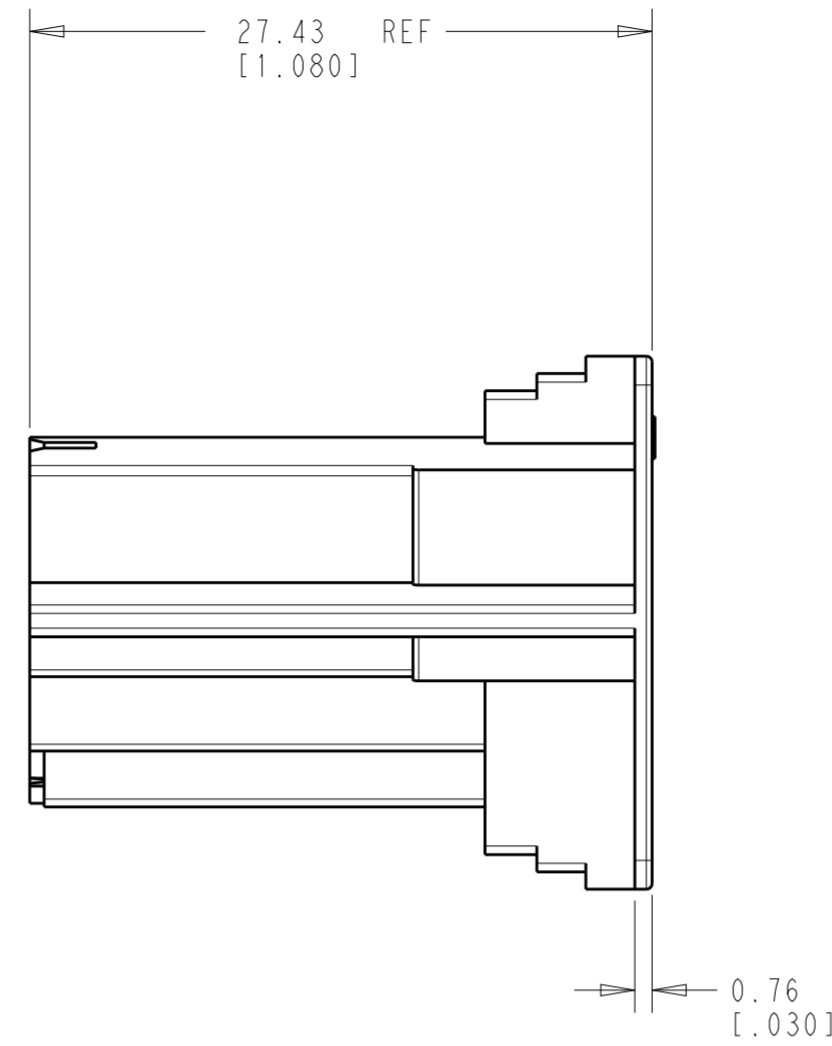
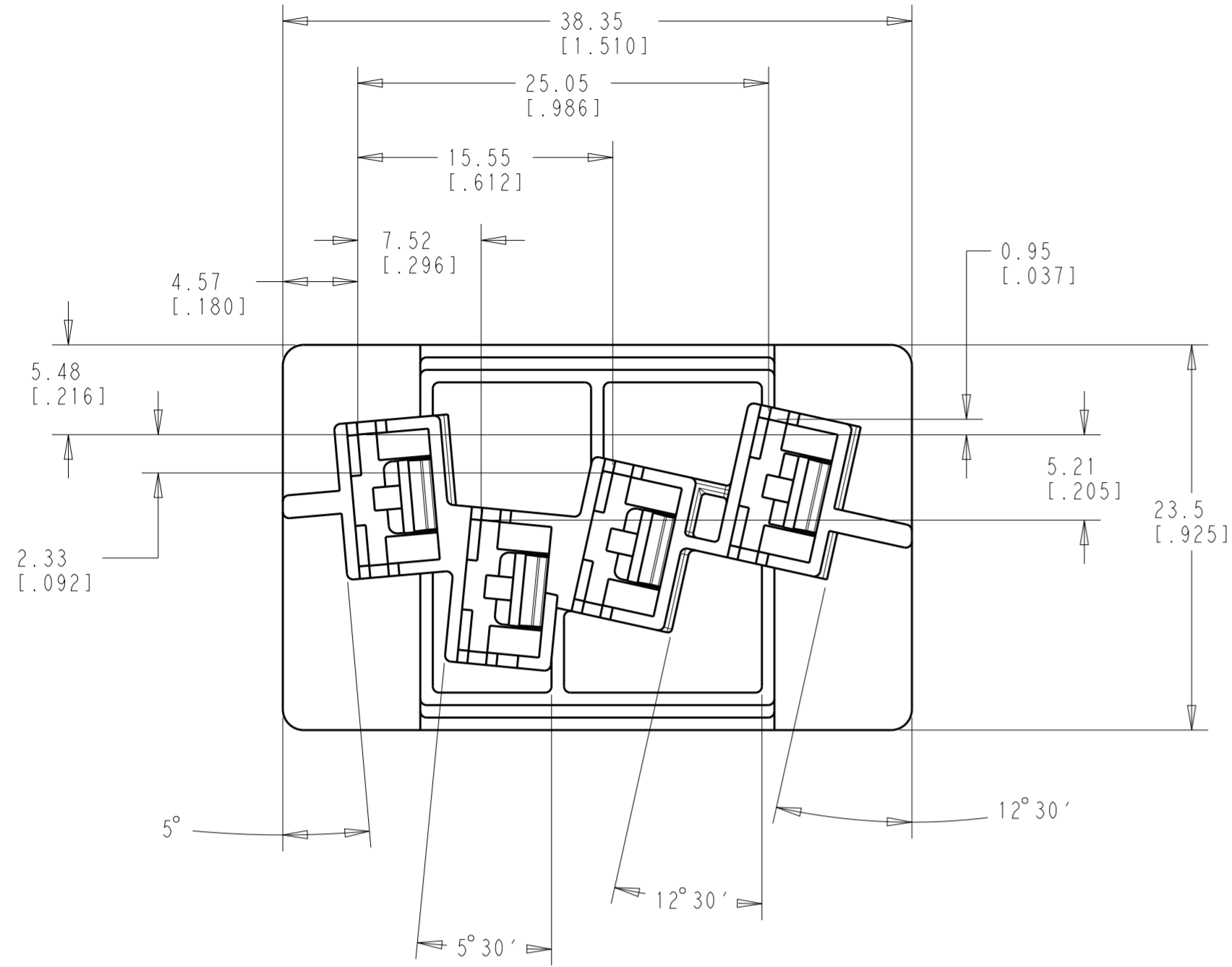


REVISIONS					
P	LTR	DESCRIPTION	DATE	DWN	APVD
	A	RELEASED PER ECO-20-008354	15JUN2020	BKW	DH



TYCO ELECTRONICS RECOMMENDATION IS THAT THE MATING TAB MUST BE HELD TO A TOLERANCE OF ± 0.13 [.005] IN EITHER DIRECTION IN ORDER TO MINIMIZE BOTH THE MAGNITUDE AND VARIATION IN INSERTION FORCE

MATING TAB

NATURAL	66 NYLON, VO	2364484-1
COLOR	MATERIAL	PART NUMBER

THIS DRAWING IS A CONTROLLED DOCUMENT.		DWN R. SMITH 21OCT2019	TE Connectivity	
DIMENSIONS: mm [INCH]		CHK D. HUMPHREY 21OCT2019		
TOLERANCES UNLESS OTHERWISE SPECIFIED:		APVD D. HUMPHREY 21OCT2019	NAME HOUSING RECPT FASTON 6.35 [.250] SERIES	
0 PLC	±	PRODUCT SPEC	SIZE	CAGE CODE
1 PLC	±	APPLICATION SPEC	A2	-
2 PLC	±	WEIGHT	SCALE	DRAWING NO
3 PLC	± 0.25 [.010]	CUSTOMER DRAWING	5:1	G-2364484
4 PLC	±		SHEET	RESTRICTED TO
ANGLES	±1°		1	1
FINISH	-		OF	REV
	-		1	A