

2361355-1 ✓ ACTIVE



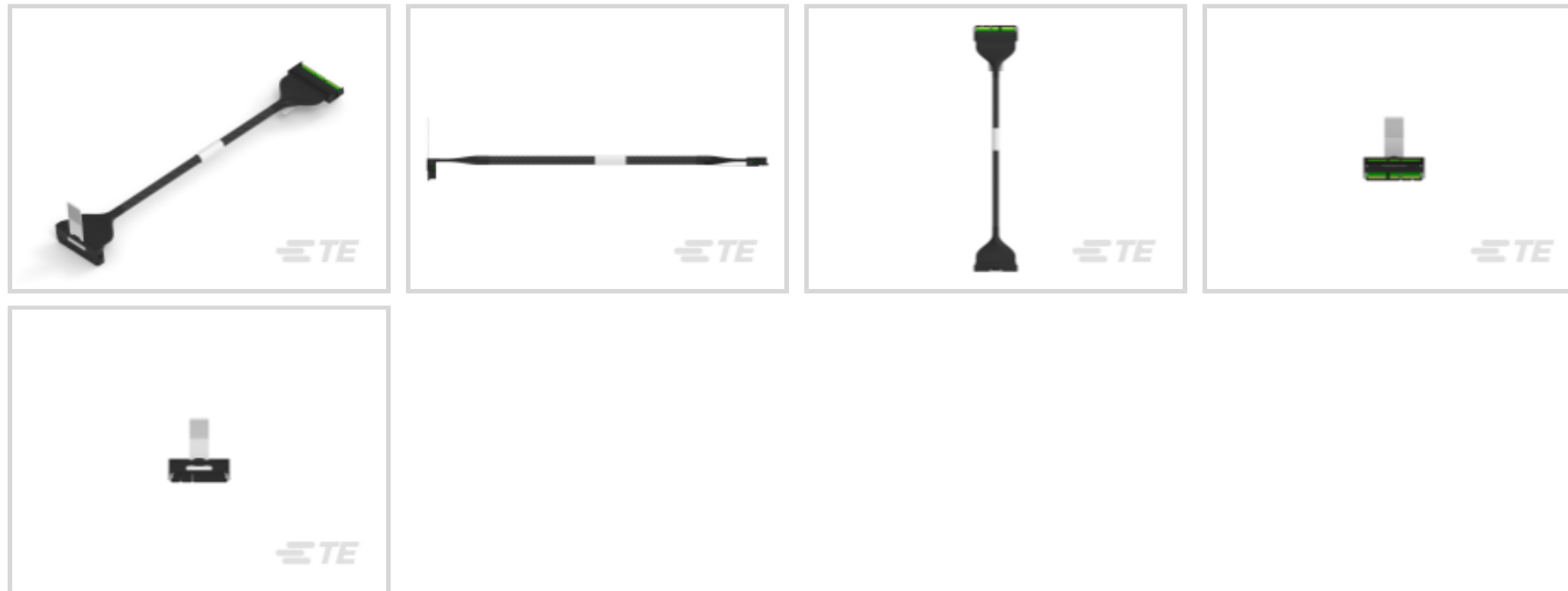
Sliver for SFF-TA-1002

TE Internal #: 2361355-1

Sliver Cable Assembly, 140 Position, .5 m, 20 Gb/s, Discrete Pair, 30 AWG, Sliver Plug, Sliver Plug, High Speed, 12 Power Positions

[View on TE.com >](#)

Cable Assemblies > Copper Cable Assemblies > Internal I/O Cable Assemblies



Cable Assembly Type: **Sliver**

Cable Assembly (End A): **Sliver Plug**

Cable Assembly (End B): **Sliver Plug**

Cable Style: **Discrete Pair**

Cable Assembly Category: **High Speed**

### Features

#### Product Type Features

|                         |               |
|-------------------------|---------------|
| Cable Assembly Type     | Sliver        |
| Cable Assembly (End A)  | Sliver Plug   |
| Cable Assembly (End B)  | Sliver Plug   |
| Cable Style             | Discrete Pair |
| Cable Assembly Category | High Speed    |

#### Configuration Features

|                            |     |
|----------------------------|-----|
| Number of Positions        | 140 |
| Number of Power Positions  | 12  |
| Number of Signal Positions | 128 |

#### Electrical Characteristics

|           |      |
|-----------|------|
| Impedance | 85 Ω |
|-----------|------|

#### Signal Characteristics

|           |         |
|-----------|---------|
| Data Rate | 20 Gb/s |
|-----------|---------|

#### Dimensions



|           |        |
|-----------|--------|
| Wire Size | 30 AWG |
|-----------|--------|

### Operation/Application

|              |     |
|--------------|-----|
| Halogen Free | Yes |
|--------------|-----|

### Other

|                              |              |
|------------------------------|--------------|
| Cable Assembly Configuration | Double Ended |
|------------------------------|--------------|

|                       |      |
|-----------------------|------|
| Cable Assembly Length | .5 m |
|-----------------------|------|

## Product Compliance

[For compliance documentation, visit the product page on TE.com>](#)

|                              |           |
|------------------------------|-----------|
| EU RoHS Directive 2011/65/EU | Compliant |
|------------------------------|-----------|

|                             |           |
|-----------------------------|-----------|
| EU ELV Directive 2000/53/EC | Compliant |
|-----------------------------|-----------|

|   |   |
|---|---|
| China RoHS 2 Directive MIIT Order No 32, 2016 | No Restricted Materials Above Threshold |
|---|---|

|  |  |
|--|--|
| EU REACH Regulation (EC) No. 1907/2006 | <p>Current ECHA Candidate List: JUNE 2024 (241)</p> <p>Candidate List Declared Against: JAN 2024 (240)</p> <p>SVHC &gt; Threshold:</p> <p>UV-329 (.5% in Component Part)</p> <p>Perfluorobutane sulfonic acid (PFBS) and its salts (.25% in Component Part)</p> <p><b>Article Safe Usage Statements:</b><br/>Do not eat, drink or smoke when using this product. Wash thoroughly after handling. Do not handle until all safety precautions have been read and understood. Recycle if possible and dispose of the article by following all applicable governmental regulations relevant to your geographic location.</p> |
|--|--|

|                 |  |
|-----------------|--|
| Halogen Content | Not Low Halogen - contains Br or Cl > 900 ppm. |
|-----------------|--|

|                           |  |
|---------------------------|--|
| Solder Process Capability | Not reviewed for solder process capability |
|---------------------------|--|

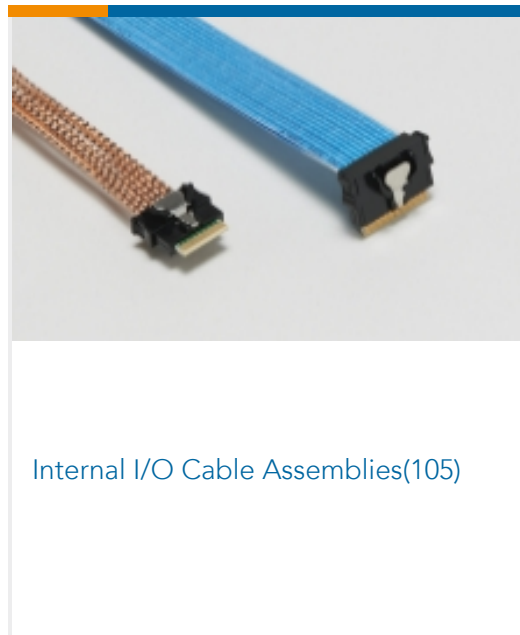
#### Product Compliance Disclaimer

This information is provided based on reasonable inquiry of our suppliers and represents our current actual knowledge based on the information they provided. This information is subject to change. The part numbers that TE has identified as EU RoHS compliant have a maximum concentration of 0.1% by weight in homogenous materials for lead, hexavalent chromium, mercury, PBB, PBDE, DBP, BBP, DEHP, DIBP, and 0.01% for cadmium, or qualify for an exemption to these limits as defined in the Annexes of Directive 2011/65/EU (RoHS2). Finished electrical and electronic equipment products will be CE marked as required by Directive 2011/65/EU. Components may not be CE marked. Additionally, the part numbers that TE has identified as EU ELV compliant have a maximum concentration of 0.1% by weight in homogenous materials for lead, hexavalent chromium, and mercury, and 0.01% for cadmium, or qualify for an exemption to these limits as defined in the Annexes of Directive 2000/53/EC (ELV). Regarding the REACH Regulation, the information TE provides on SVHC in articles for this part number is based on the latest European Chemicals Agency (ECHA) 'Guidance on requirements for substances in articles' posted at this URL: <https://echa.europa.eu/guidance-documents/guidance-on-reach>

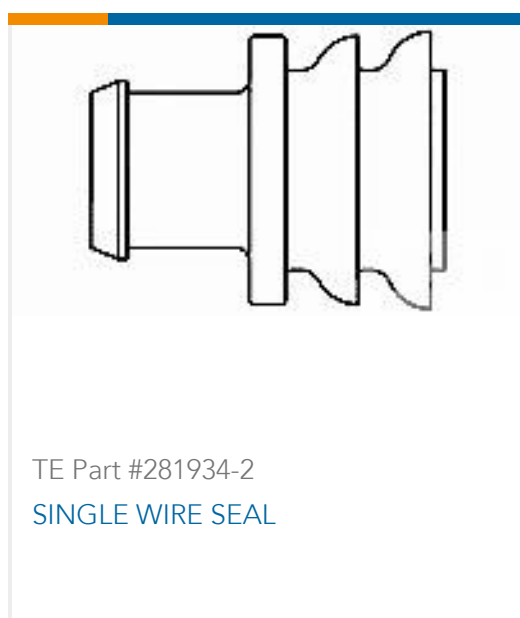
## Compatible Parts



### Also in the Series | Sliver for SFF-TA-1002



### Customers Also Bought



### Documents

#### Product Drawings

C/A, Sliver 2.0 4C, STR to RA, 0.5M

English

#### CAD Files

3D PDF

3D



**Customer View Model**

[ENG\\_CVM\\_CVM\\_2361355-1\\_B.2d\\_dxf.zip](#)

English

**Customer View Model**

[ENG\\_CVM\\_CVM\\_2361355-1\\_B.3d\\_igs.zip](#)

English

**Customer View Model**

[ENG\\_CVM\\_CVM\\_2361355-1\\_B.3d\\_stp.zip](#)

English

By downloading the CAD file I accept and agree to the [Terms and Conditions](#) of use.

**Product Specifications**

[Product Specification](#)

English