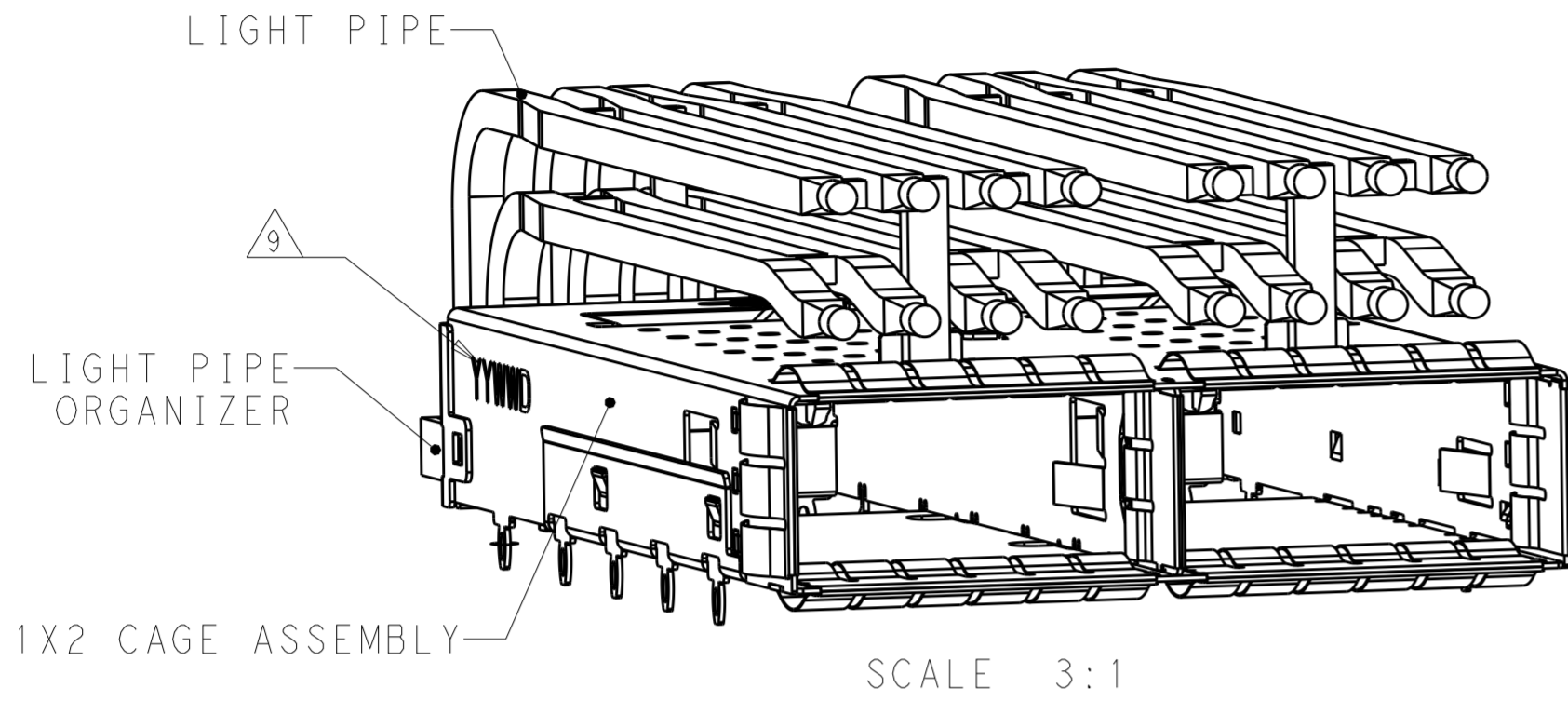
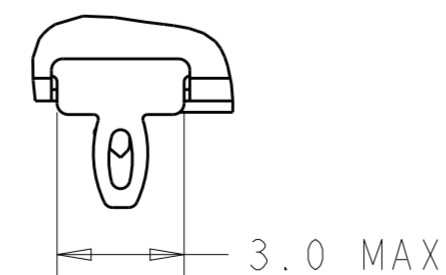
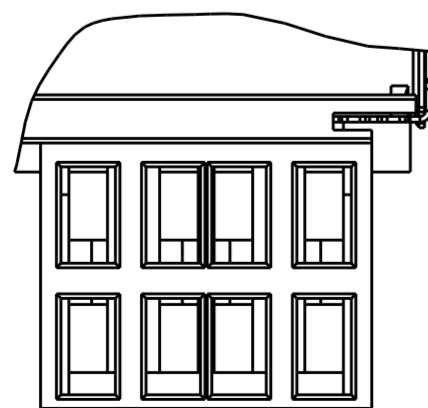
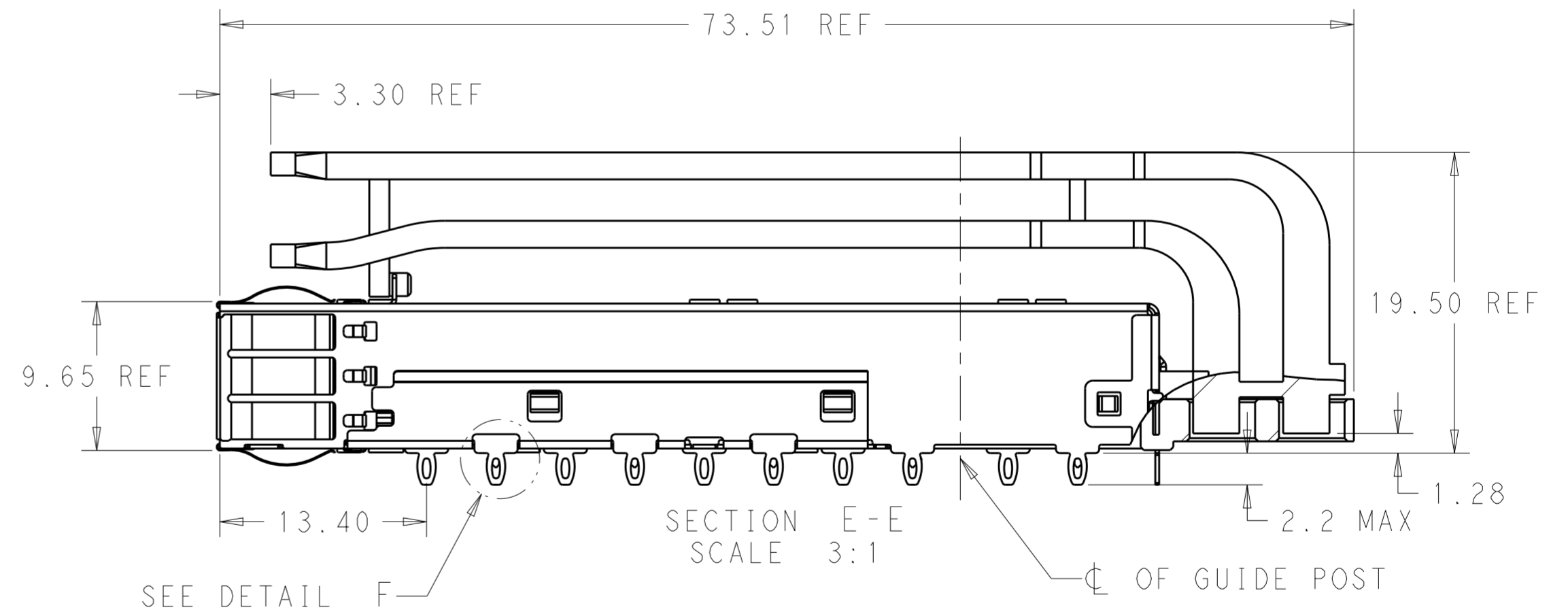
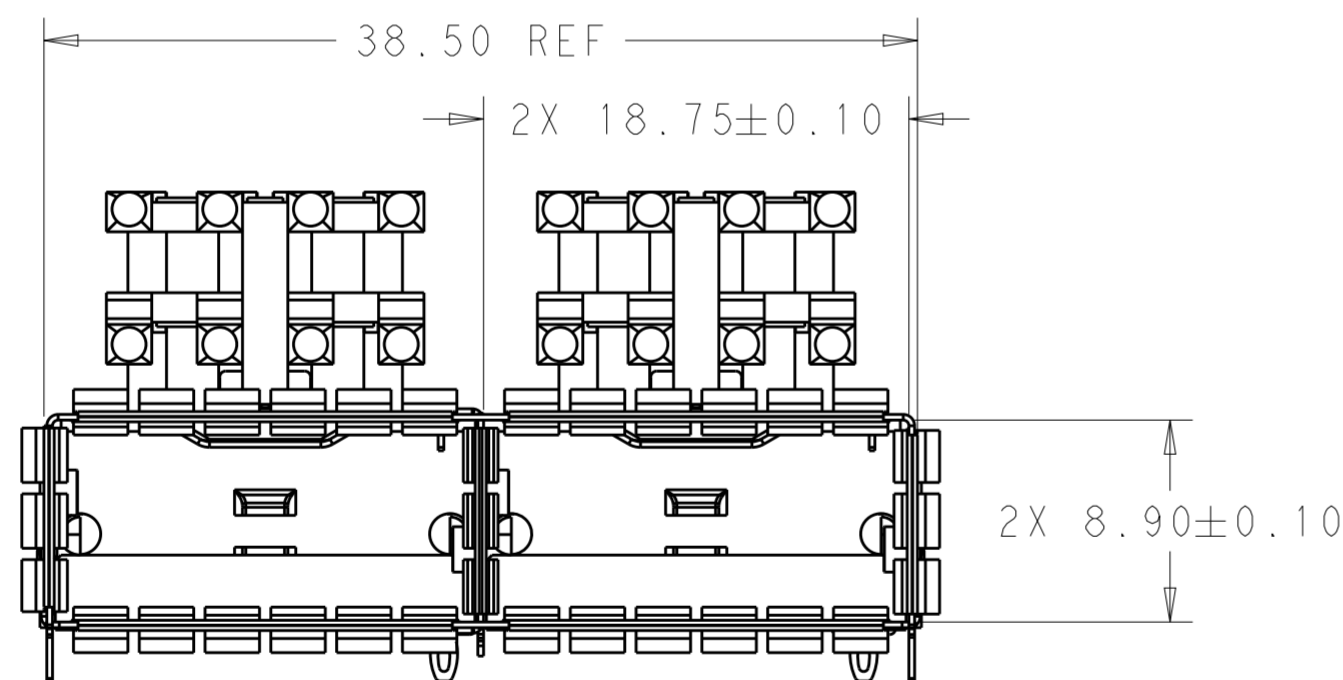


REVISIONS				
P	LTR	DESCRIPTION	DATE	APVD
1		PRELIMINARY	09OCT2018	JY SH
2		ADD DIMENSIONS FOR LED AREA	06NOV2018	JY SH
A		INITIAL RELEASE	10FEB2020	VM SH



1. COMPONENTS
 CAGE ASSEMBLY: NICKEL-SILVER ALLOY
 EMI SPRING: COPPER ALLOY/NICKEL PLATE
 LIGHT PIPE: CLEAR POLYCARBONATE
 ORGANIZER: PBT
2. REFERENCE APPLICATION SPECIFICATION 114-32023 FOR RECOMMENDED DRILL HOLE DIAMETER AND PLATING THICKNESS
3. DATUM AND BASIC DIMENSION ESTABLISHED BY CUSTOMER
4. REMOVED
5. LIGHT PIPES ARE SHIPPED ASSEMBLED ON CAGE
6. MINIMUM PC BOARD THICKNESS: SINGLE SIDED: 1.57 MIN
 DOUBLE SIDED: 2.20 MIN
7. DATUM -A- IS TOP SURFACE OF THE HOST BOARD.
8. MATES WITH QSFP28 MSA COMPATIBLE TRANSCEIVER.
9. DATE CODE (YYWWD) MARKED APPROXIMATELY AS SHOWN.

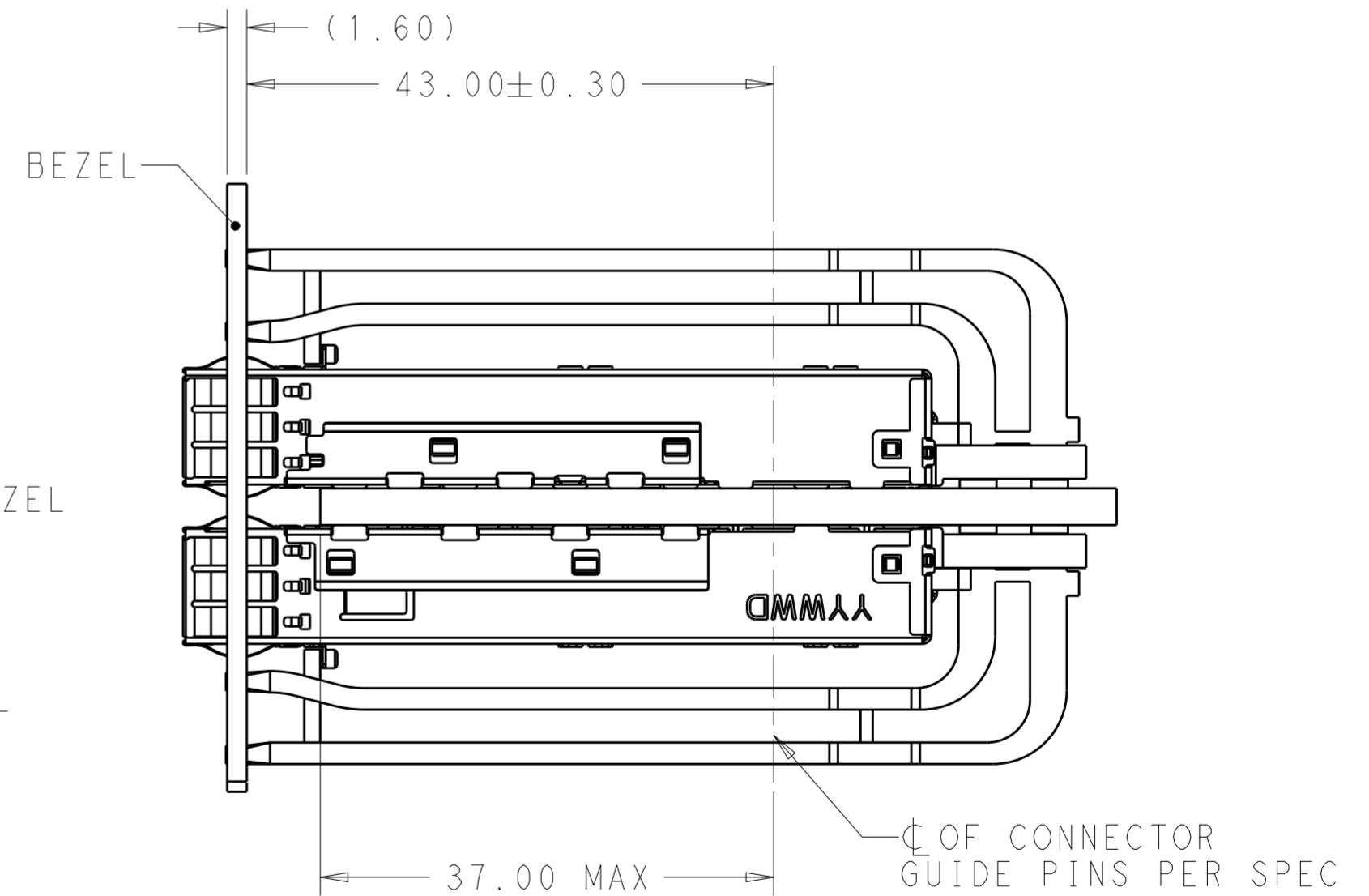
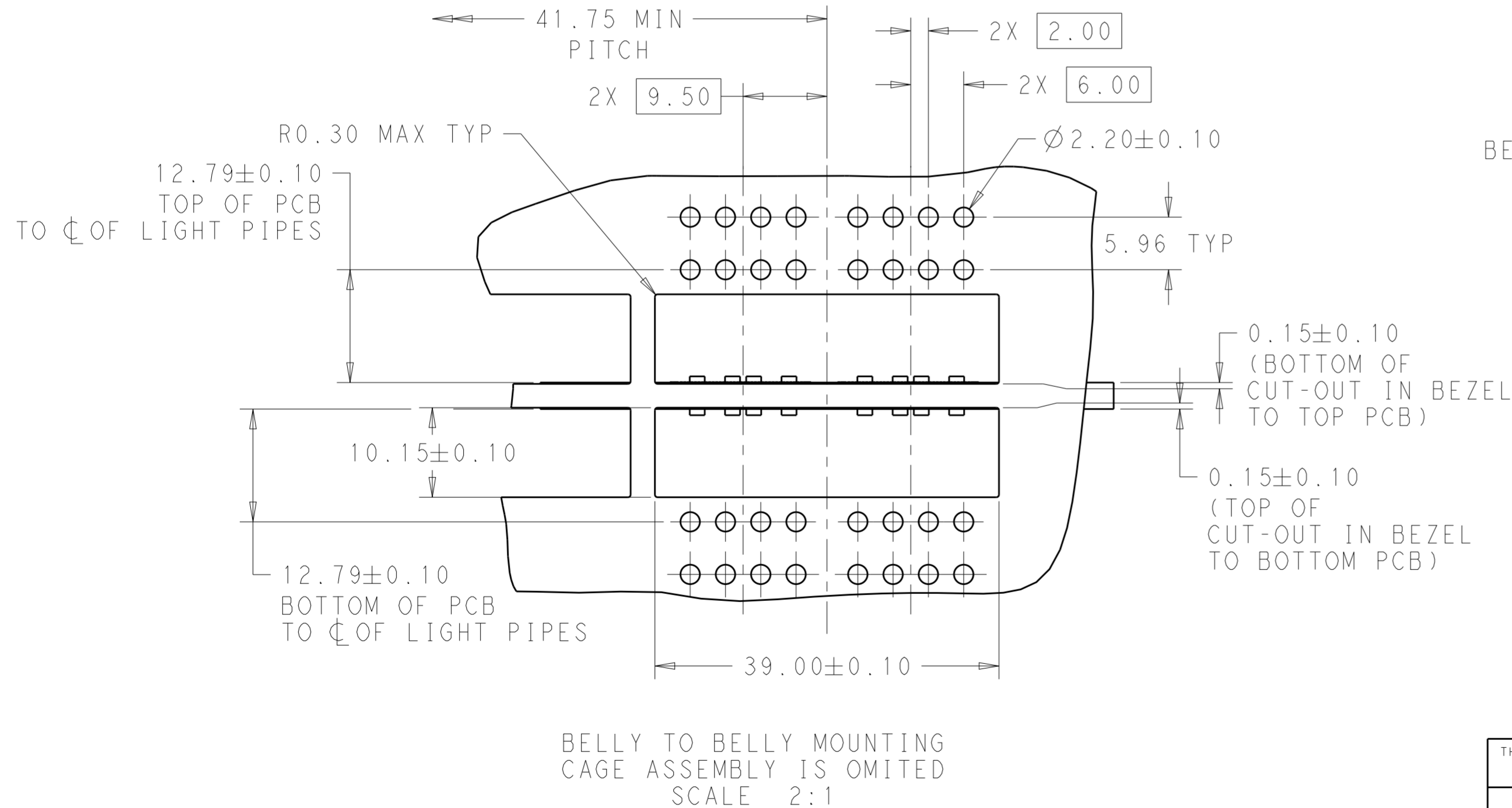
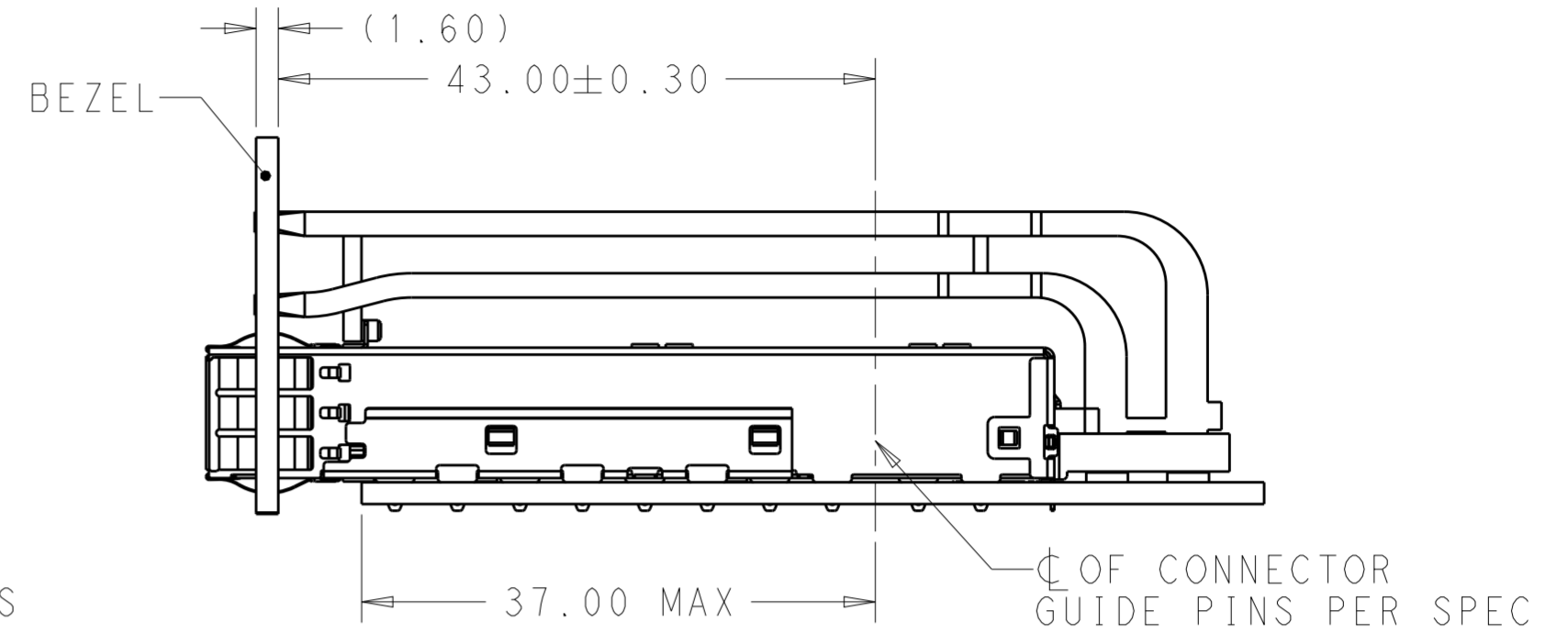
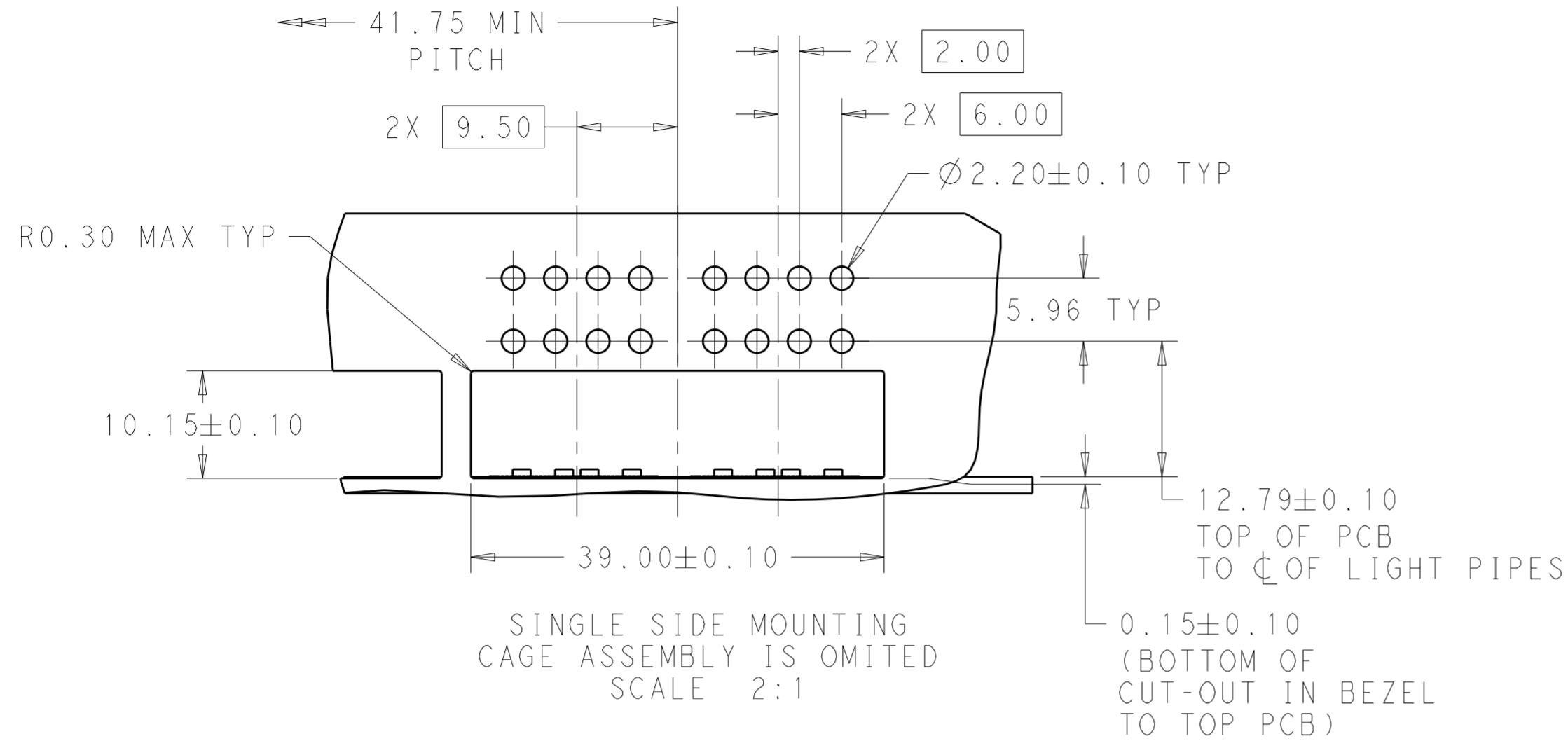


DETAIL F
SCALE 6:1

2344878-1
P/N

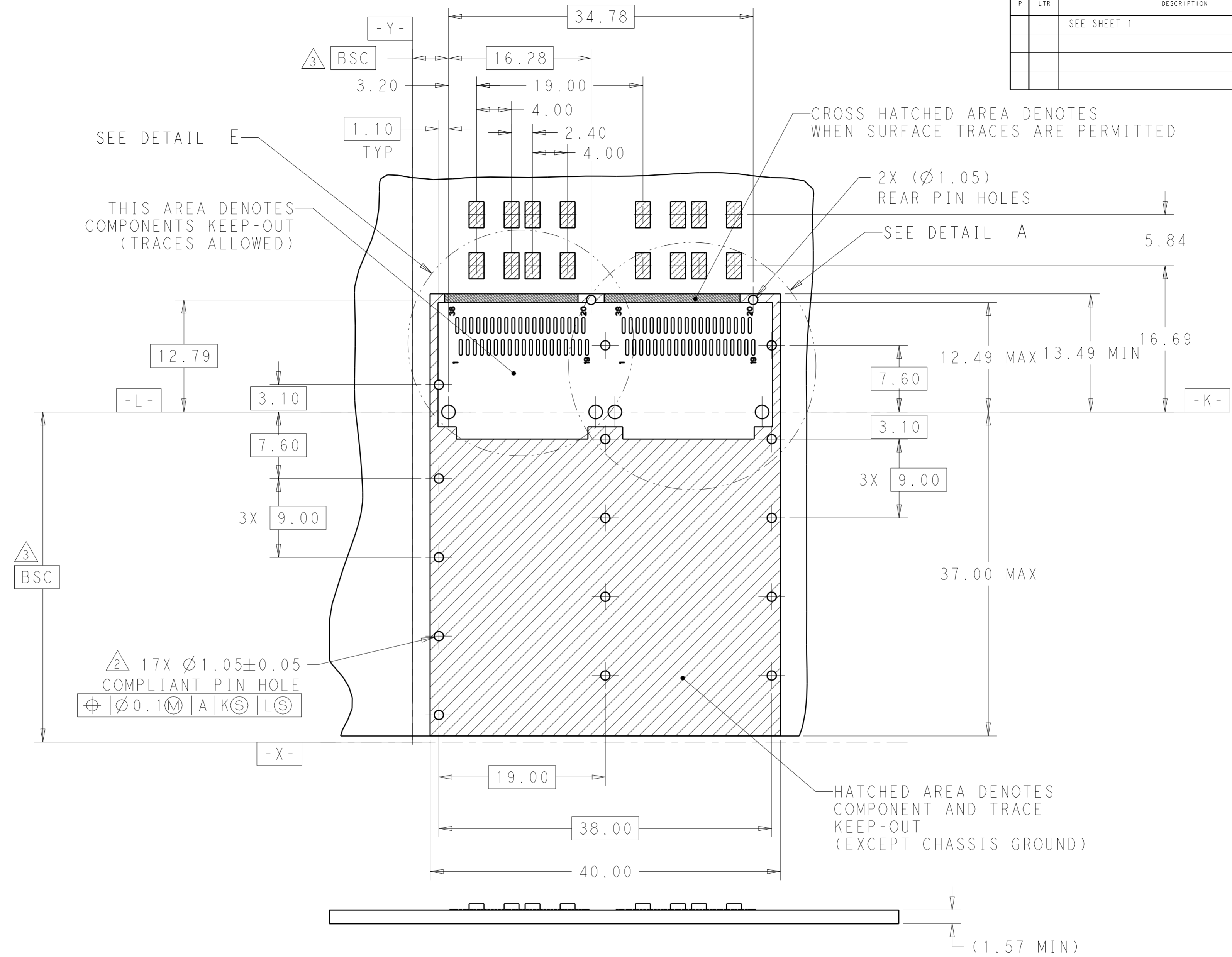
THIS DRAWING IS A CONTROLLED DOCUMENT.		DWN 09OCT2018 JASON YANG	TE Connectivity	
		CHK 09OCT2018 SEAN HAN		
		APVD 09OCT2018 SEAN HAN	NAME RECEPTACLE CAGE ASSEMBLY LIGHT PIPES, THRU BEZEL, 1X2, QSFP28, SPRING	
DIMENSIONS: mm		PRODUCT SPEC 108-19428	SIZE A200779	CAGE CODE C-2344878
TOLERANCES UNLESS OTHERWISE SPECIFIED: 0 PLC ± 1 PLC ±0.25 2 PLC ±0.2 3 PLC ± 4 PLC ± ANGLES ±		APPLICATION SPEC 114-32023	RESTRICTED TO	
MATERIAL SEE NOTES material_2		FINISH SEE NOTES finish_spec_2	WEIGHT -	SCALE 1:1 SHEET 1 OF 6 REV A

REVISIONS				
P	LTR	DESCRIPTION	DATE	APVD
-		SEE SHEET 1	-	-



THIS DRAWING IS A CONTROLLED DOCUMENT.		DWN 09OCT2018 JASON YANG		
		CHK 09OCT2018 SEAN HAN		
		APVD 09OCT2018 SEAN HAN	NAME RECEPTACLE CAGE ASSEMBLY	
DIMENSIONS: mm		PRODUCT SPEC 108-19428	LIGHT PIPES, THRU BEZEL, 1X2, QSFP28, SPRING	
TOLERANCES UNLESS OTHERWISE SPECIFIED:		APPLICATION SPEC 114-32023	SIZE CAGE CODE DRAWING NO RESTRICTED TO	
0 PLC ±		WEIGHT -	A200779 C-2344878	
1 PLC ±0.25		SCALE 1:1 SHEET 2 OF 6 REV A		
2 PLC ±0.2				
3 PLC ±				
4 PLC ±				
ANGLES ±				
FINISH				
MATERIAL SEE NOTES material_2		RESTRICTED CUSTOMER		
TOLERANCES UNLESS OTHERWISE SPECIFIED:				
0 PLC ±				
1 PLC ±0.25				
2 PLC ±0.2				
3 PLC ±				
4 PLC ±				
ANGLES ±				
FINISH				
MATERIAL SEE NOTES material_2		RESTRICTED CUSTOMER		

P	LTR	DESCRIPTION	DATE	DWN	APVD
-	-	SEE SHEET 1	-	-	-



THIS AREA DENOTES COMPONENTS KEEP-OUT (TRACES ALLOWED)

CROSS HATCHED AREA DENOTES WHEN SURFACE TRACES ARE PERMITTED

2X (Ø1.05) REAR PIN HOLES

SEE DETAIL A

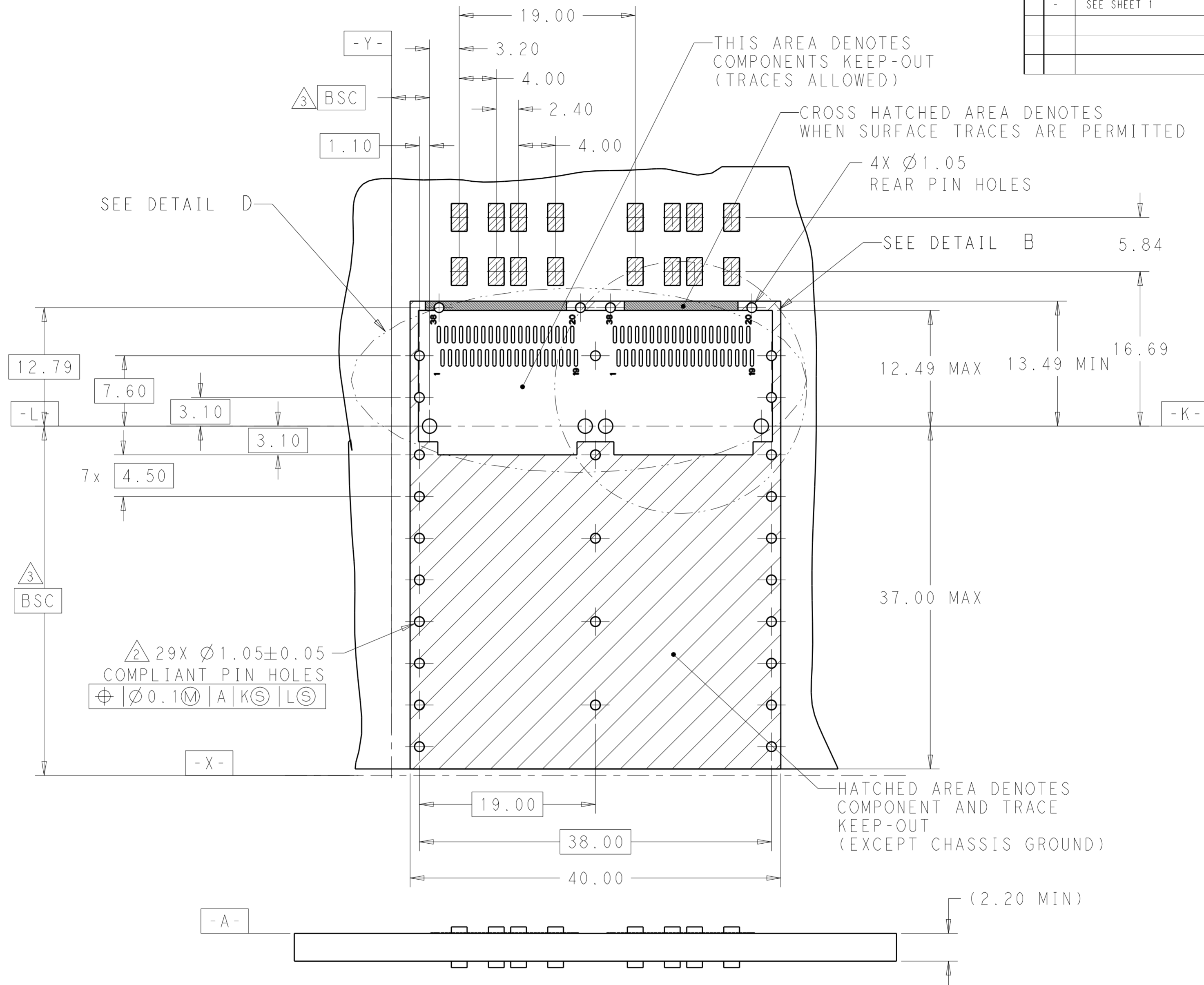
17X Ø1.05±0.05 COMPLIANT PIN HOLE
 Ø0.1 M A K S L S

HATCHED AREA DENOTES COMPONENT AND TRACE KEEP-OUT (EXCEPT CHASSIS GROUND)

RECOMMENDED PCB LAYOUT
 SINGLE TYPE
 PCB TOLERANCE: ±0.05
 SCALE 3:1

THIS DRAWING IS A CONTROLLED DOCUMENT.		DWN 09OCT2018 JASON YANG	STE TE Connectivity	
DIMENSIONS: mm		CHK 09OCT2018 SEAN HAN		
TOLERANCES UNLESS OTHERWISE SPECIFIED:		APVD 09OCT2018 SEAN HAN	NAME RECEPTACLE CAGE ASSEMBLY LIGHT PIPES, THRU BEZEL, 1X2, QSFP28, SPRING	
0 PLC ±	1 PLC ±0.25	PRODUCT SPEC	SIZE CAGE CODE DRAWING NO RESTRICTED TO	
2 PLC ±0.2	3 PLC ±	108-19428	A200779 C-2344878	
4 PLC ±	ANGLES ±	APPLICATION SPEC	SCALE 1:1 SHEET 3 OF 6 REV A	
MATERIAL SEE NOTES material_2	FINISH SEE NOTES finish_spec_2	114-32023	RESTRICTED CUSTOMER	
		WEIGHT -		

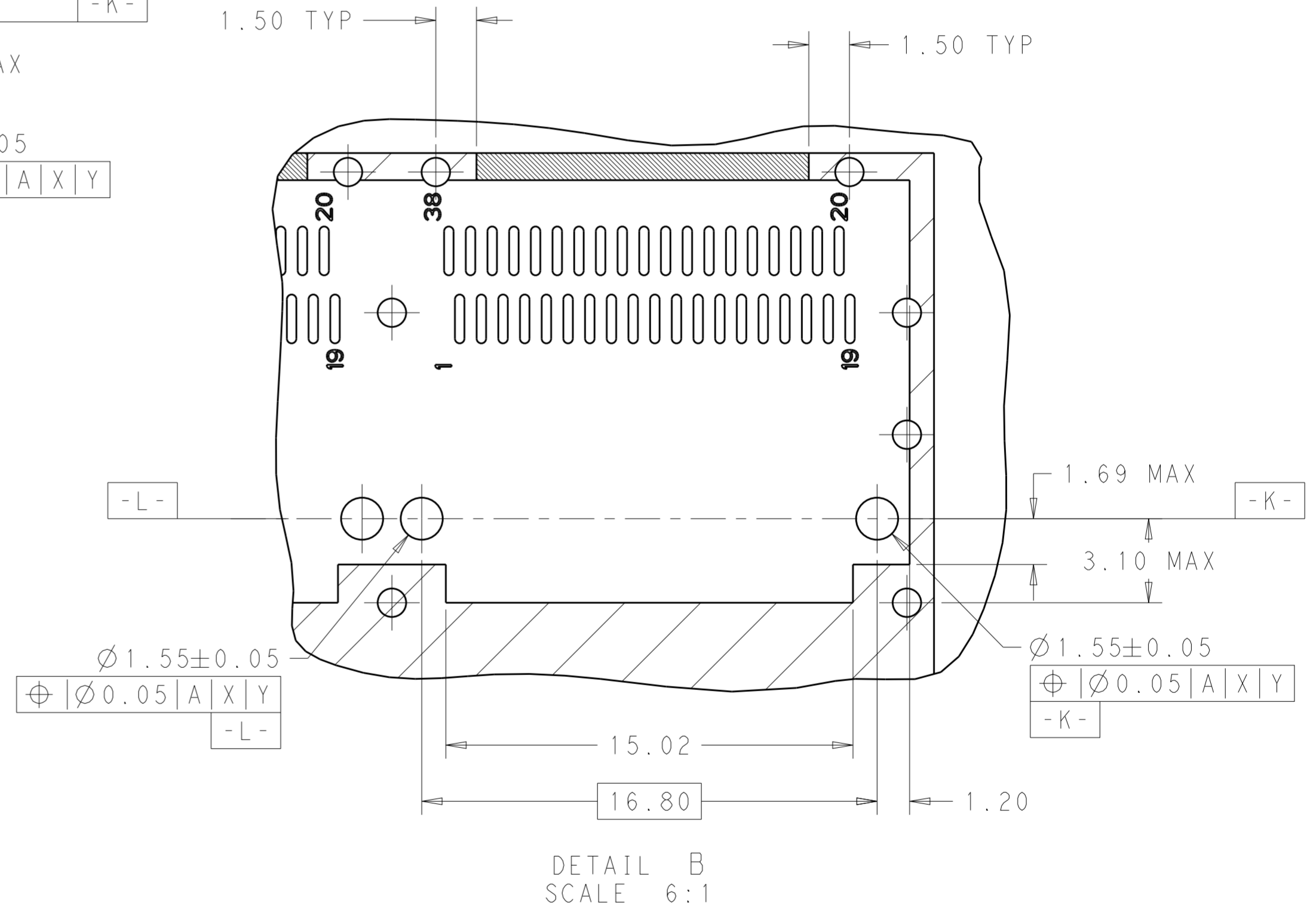
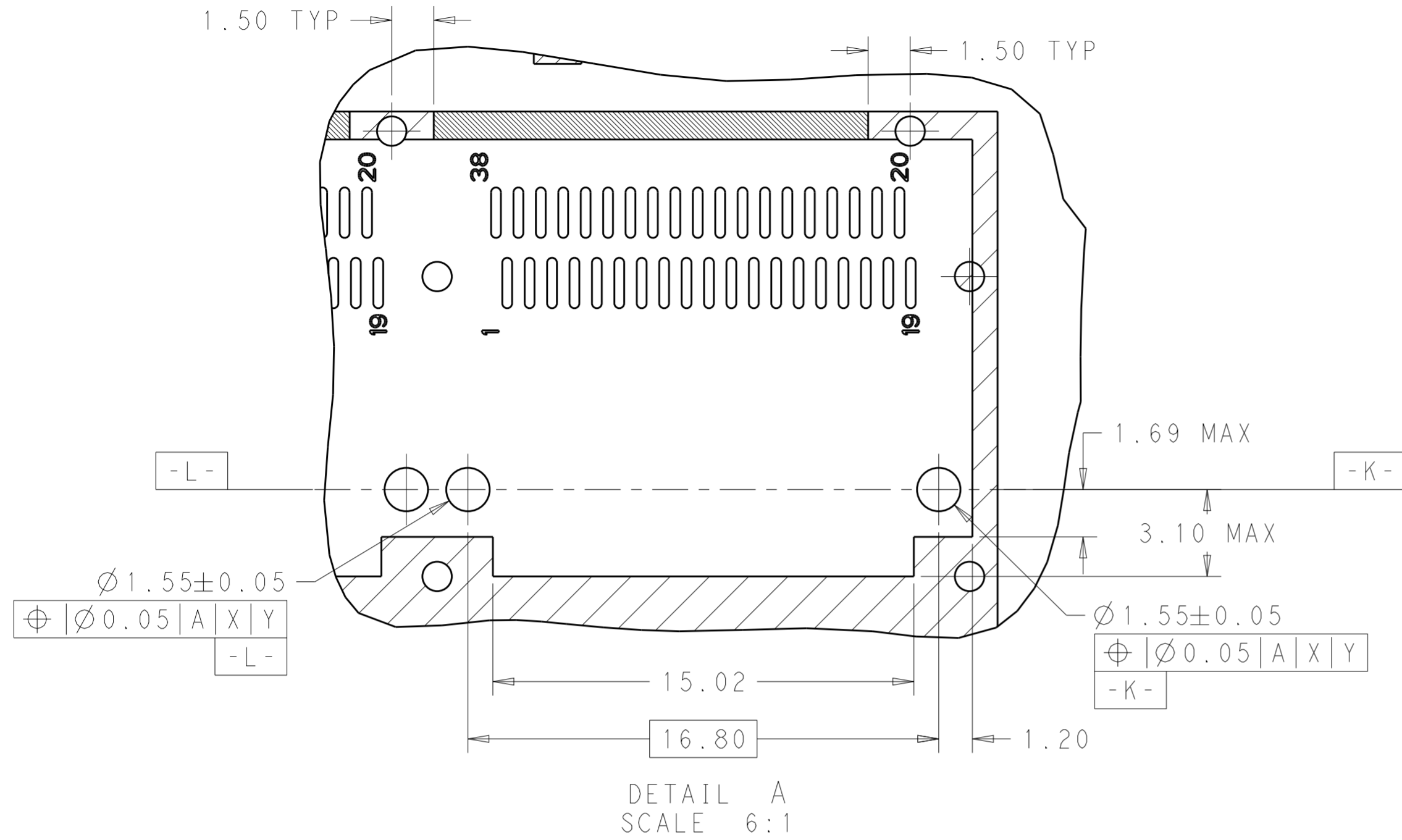
P	LTR	DESCRIPTION	DATE	DWN	APVD
-		SEE SHEET 1	-	-	-



RECOMMENDED PCB LAYOUT
 BELLY TO BELLY TYPE
 PCB TOLERANCE: ±0.05
 SCALE 3:1

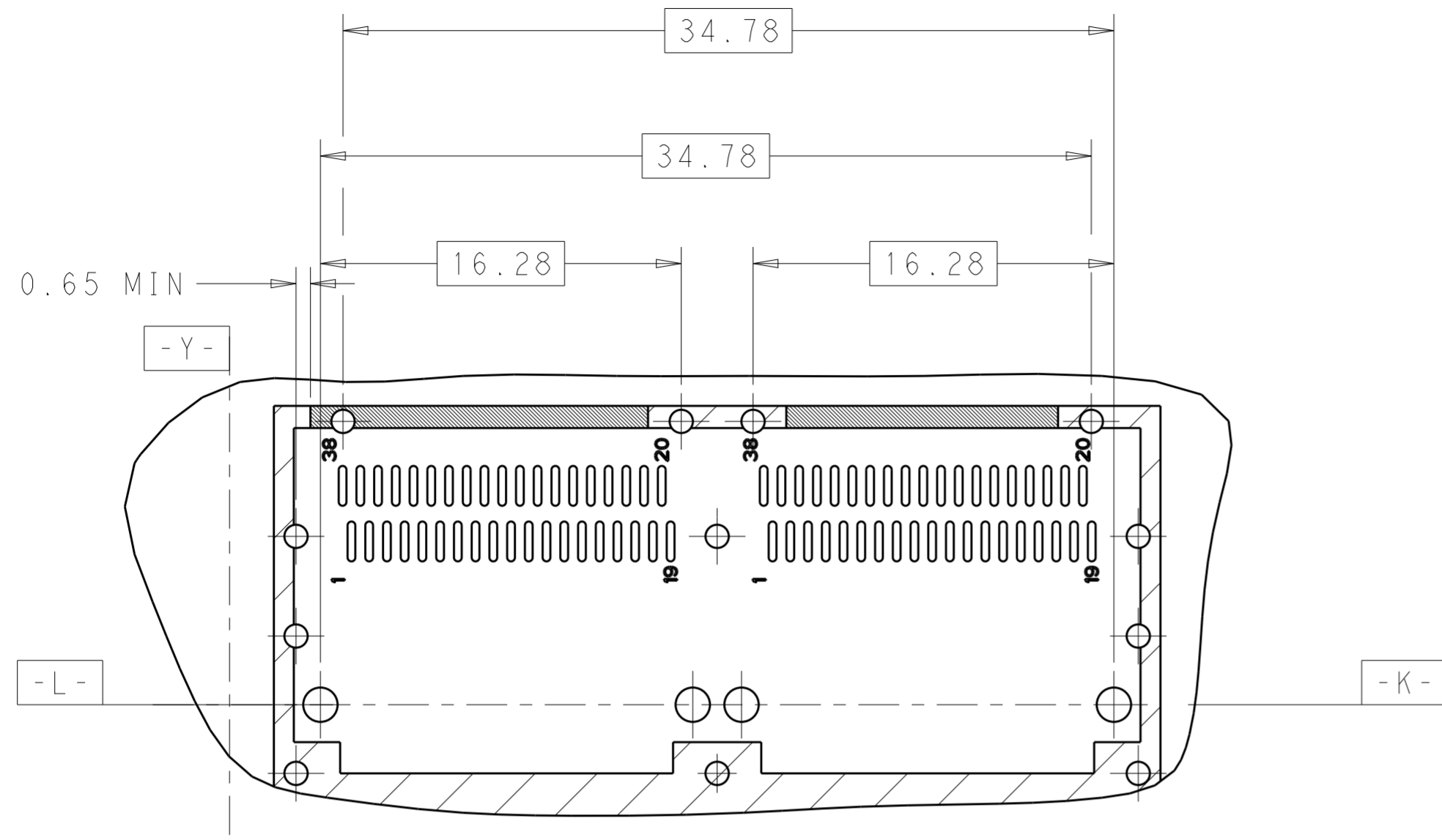
THIS DRAWING IS A CONTROLLED DOCUMENT.		DWN JASON YANG 09OCT2018	TE Connectivity	
DIMENSIONS: mm		CHK SEAN HAN 09OCT2018		
TOLERANCES UNLESS OTHERWISE SPECIFIED:		APVD SEAN HAN 09OCT2018	NAME RECEPTACLE CAGE ASSEMBLY LIGHT PIPES, THRU BEZEL, 1X2, QSFP28, SPRING	
0 PLC ±	1 PLC ±0.25	PRODUCT SPEC 108-19428	SIZE A200779	
2 PLC ±0.2	3 PLC ±	APPLICATION SPEC 114-32023	CAGE CODE C-2344878	DRAWING NO C-2344878
4 PLC ±	ANGLES ±	WEIGHT -	RESTRICTED TO	
MATERIAL SEE NOTES material_2	FINISH SEE NOTES finish_spec_2	RESTRICTED CUSTOMER		
		SCALE 1:1	SHEET 4 OF 6	REV A

P	LTR	DESCRIPTION	DATE	DWN	APVD
-	-	SEE SHEET 1	-	-	-

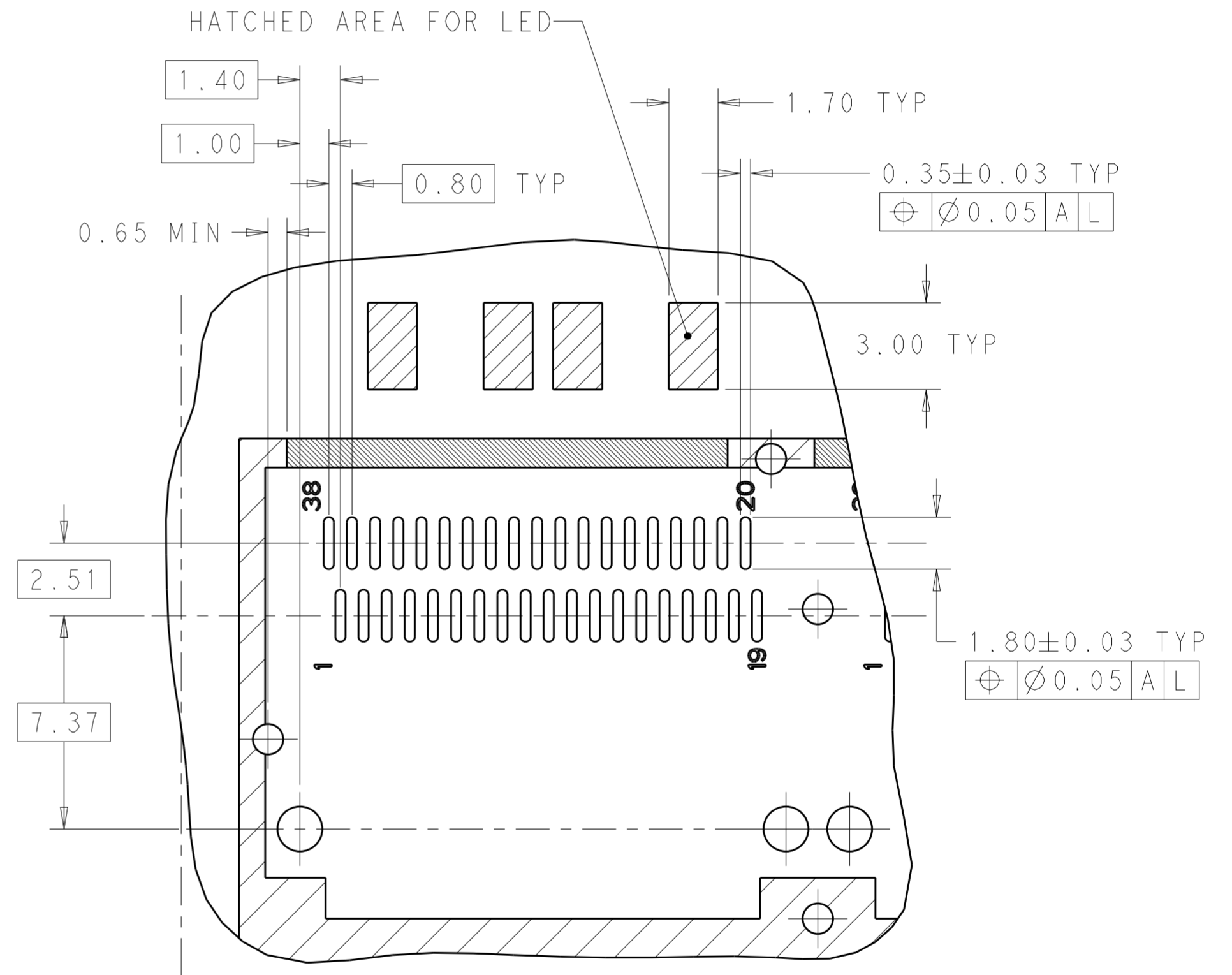


THIS DRAWING IS A CONTROLLED DOCUMENT.		DWN JASON YANG 09OCT2018	STE TE Connectivity	
		CHK SEAN HAN 09OCT2018		
		APVD SEAN HAN 09OCT2018	NAME RECEPTACLE CAGE ASSEMBLY LIGHT PIPES, THRU BEZEL, 1X2, QSFP28, SPRING	
DIMENSIONS: mm		PRODUCT SPEC 108-19428	SIZE CAGE CODE DRAWING NO RESTRICTED TO	
TOLERANCES UNLESS OTHERWISE SPECIFIED: 0 PLC ± 1 PLC ±0.25 2 PLC ±0.2 3 PLC ± 4 PLC ± ANGLES ±		APPLICATION SPEC 114-32023	A200779 C-2344878	
MATERIAL SEE NOTES material_2		FINISH SEE NOTES finish_spec_2	WEIGHT - RESTRICTED CUSTOMER	
		SCALE 1:1		SHEET 5 OF 6
				REV A

P	LTR	DESCRIPTION	DATE	DWN	APVD
-		SEE SHEET 1	-	-	-



DETAIL D
SCALE 4:1



DETAIL E
SCALE 6:1

THIS DRAWING IS A CONTROLLED DOCUMENT.		DWN JASON YANG 09OCT2018	 TE Connectivity
DIMENSIONS: mm		CHK SEAN HAN 09OCT2018	
TOLERANCES UNLESS OTHERWISE SPECIFIED:		APVD SEAN HAN 09OCT2018	
0 PLC ± 1 PLC ±0.25 2 PLC ±0.2 3 PLC ± 4 PLC ± ANGLES ±		PRODUCT SPEC 108-19428	
MATERIAL SEE NOTES material_2		FINISH SEE NOTES finish_spec_2	NAME RECEPTACLE CAGE ASSEMBLY LIGHT PIPES, THRU BEZEL, 1X2, QSFP28, SPRING
		RESTRICTED CUSTOMER	SIZE A200779
			CAGE CODE C-2344878
			DRAWING NO 114-32023
			RESTRICTED TO
			SCALE 1:1 SHEET 6 OF 6 REV A