

2345986-1 ✓ ACTIVE

TE Internal #: 2345986-1

USB Connectors, C, 3.1 Gen 2, Receptacle, 1 Port, Top, Right Angle, Reel, Offset, Surface Mount, Wire-to-Board / Cable-to-Board, 10000

[View on TE.com >](#)



Connectors > Audio & Video Connectors > USB Connectors



USB Adapter Type: **C**

USB Version: **3.1 Gen 2**

Connector & Housing Type: **Receptacle**

Number of Ports: **1**

PCB Mount Location: **Top**

Features

Product Type Features

Integral Locking Latch	Without
Grounding Options	PCB Ground
USB Adapter Type	C
USB Version	3.1 Gen 2
Connector & Housing Type	Receptacle
Connector System	Cable-to-Board, Wire-to-Board
Connector & Contact Terminates To	Printed Circuit Board
USB Connector Type	USB 3.1 Type-C

Configuration Features

Number of Ports	1
-----------------	---

Body Features

Offset	1.63 mm
Shell Plating Finish	Matte
Shell Plating Material	Nickel



Contact Features

	5 µin
Contact Mating Area Plating Material	Gold Flash
Contact Current Rating (Max)	5 A

Termination Features

Termination Method to Printed Circuit Board	Surface Mount
---	---------------

Mechanical Attachment

Locking Feature	Without
PCB Mount Alignment Type	Locating Posts
PCB Mount Location	Top
PCB Connector Seating	Offset
Connector Mounting Type	Board Mount

Housing Features

Housing Material	LCP (Liquid Crystal Polymer)
Housing Color	Black
Body Orientation	Right Angle

Usage Conditions

Soldering Temperature (Max)	255 °C[491 °F]
Mating Cycles (Max)	10000
Operating Temperature Range	-40 – 85 °C

Operation/Application

Assembly Process Feature	Without Pick and Place Cover
Circuit Application	Power & Signal

Industry Standards

Industry Standard	USB 3.0
UL Flammability Rating	UL 94V-0

Packaging Features

Packaging Quantity	900
Packaging Method	Reel

Product Compliance

[For compliance documentation, visit the product page on TE.com>](#)



EU RoHS Directive 2011/65/EU	Compliant
EU ELV Directive 2000/53/EC	Not Yet Reviewed
China RoHS 2 Directive MIIT Order No 32, 2016	No Restricted Materials Above Threshold
EU REACH Regulation (EC) No. 1907/2006	Current ECHA Candidate List: JUNE 2024 (241) Candidate List Declared Against: JUNE 2024 (241) Does not contain REACH SVHC
Halogen Content	Low Halogen - Br, Cl, F, I < 900 ppm per homogenous material. Also BFR/CFR/PVC Free
Solder Process Capability	Not reviewed for solder process capability

Product Compliance Disclaimer

This information is provided based on reasonable inquiry of our suppliers and represents our current actual knowledge based on the information they provided. This information is subject to change. The part numbers that TE has identified as EU RoHS compliant have a maximum concentration of 0.1% by weight in homogenous materials for lead, hexavalent chromium, mercury, PBB, PBDE, DBP, BBP, DEHP, DIBP, and 0.01% for cadmium, or qualify for an exemption to these limits as defined in the Annexes of Directive 2011/65/EU (RoHS2). Finished electrical and electronic equipment products will be CE marked as required by Directive 2011/65/EU. Components may not be CE marked. Additionally, the part numbers that TE has identified as EU ELV compliant have a maximum concentration of 0.1% by weight in homogenous materials for lead, hexavalent chromium, and mercury, and 0.01% for cadmium, or qualify for an exemption to these limits as defined in the Annexes of Directive 2000/53/EC (ELV). Regarding the REACH Regulation, the information TE provides on SVHC in articles for this part number is based on the latest European Chemicals Agency (ECHA) 'Guidance on requirements for substances in articles' posted at this URL: <https://echa.europa.eu/guidance-documents/guidance-on-reach>

Compatible Parts

TE Part # 2305018-2
USB TYPE C, REC IPX8 ON BOARD DUAL SMT

TE Part # 2479774-1
USB C Charge-only,6 Pin, Top, 1u GF

TE Part # 2479774-2
USB C Charge-only,6 Pin, Top, 3u GF

TE Part # 2480790-1
USB C Charge-only,6 Pin, Vertical, Long

TE Part # 2480803-1
USB C Charge-only,6 Pin, Vertical, Short

TE Part # 2480842-1
USB C Charge-only,6 Pin, Vert, Long, Lock

TE Part # 2480843-1
USB C Charge-only,6 Pin, Mid, 3u GF

Customers Also Bought



TE Part #2176117-3
TLR 1206 1.0W R001 1% 50PPM 2K RL



TE Part #2227303-1
CAGE ASSEMBLY, SFP, .140 SOLDE



TE Part #641737-1
04P CMNL HDR ASSY R/A PC NATL



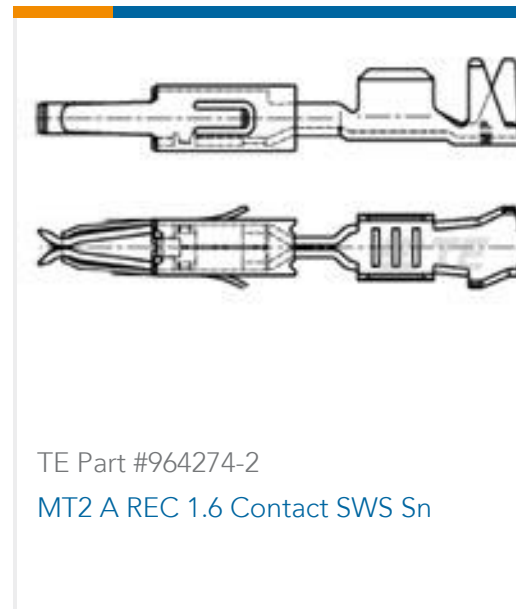
TE Part #292336-1
Std USB Type A, Flag, T/H



TE Part #3-6318490-6
.5FHR04H,220,S,GIG,08/Sn,HT,NSYes



TE Part #9-1879215-1
CPF 0402 40K2 0.1% 25PPM 1K RL



TE Part #964274-2
MT2 A REC 1.6 Contact SWS Sn



TE Part #1337809-2
50 OHM COAX SMA STR PLUGSTR P



TE Part #1-1337111-0

Documents

Product Drawings

[USB TYPE C 3.1 TOP MOUNT DUAL SMT 1.63CH](#)

English

CAD Files

[3D PDF](#)

3D

Customer View Model

[ENG_CVM_CVM_2345986-1_1.2d_dxf.zip](#)

English

Customer View Model

[ENG_CVM_CVM_2345986-1_1.3d_igs.zip](#)

English

Customer View Model

[ENG_CVM_CVM_2345986-1_1.3d_stp.zip](#)

English

By downloading the CAD file I accept and agree to the [Terms and Conditions](#) of use.

Product Specifications

2345986-1

USB Connectors, C, 3.1 Gen 2, Receptacle, 1 Port, Top, Right Angle, Reel, Offset,
Surface Mount, Wire-to-Board / Cable-to-Board, 10000



Product Specification

English