

2340901-1 ✓ ACTIVE

TE Internal #: 2340901-1

USB Connectors, C, 2.0, Receptacle, 1 Port, Mid Mount, Right Angle, Reel, Offset, Surface Mount, Wire-to-Board / Cable-to-Board, 10000

[View on TE.com >](#)



Connectors > Audio & Video Connectors > USB Connectors



USB Adapter Type: **C**

USB Version: **2.0**

Connector & Housing Type: **Receptacle**

Number of Ports: **1**

PCB Mount Location: **Mid Mount**

Features

Product Type Features

Integral Locking Latch	Without
USB Adapter Type	C
USB Version	2.0
Connector & Housing Type	Receptacle
Connector System	Cable-to-Board, Wire-to-Board
Connector & Contact Terminates To	Printed Circuit Board
USB Connector Type	USB 2.0 Type-C

Configuration Features

Panel Ground Location	Top
Number of Ports	1

Body Features

Shell Plating Finish	Matte
Shell Plating Material	Nickel

Contact Features



Contact Mating Area Plating Material Thickness	.75 µm[30 µin]
Contact Mating Area Plating Material	Gold
Contact Current Rating (Max)	1.5 A

Termination Features

Termination Method to Printed Circuit Board	Surface Mount
---	---------------

Mechanical Attachment

Locking Feature	Without
PCB Mount Location	Mid Mount
PCB Connector Seating	Offset
PCB Mount Retention Type	Straight Legs
Connector Mounting Type	Board Mount

Housing Features

Housing Material	LCP (Liquid Crystal Polymer)
Housing Color	Black
Body Orientation	Right Angle

Usage Conditions

Soldering Temperature (Max)	255 °C[491 °F]
Mating Cycles (Max)	10000
Operating Temperature Range	-30 – 85 °C[-22 – 185 °F]

Operation/Application

Assembly Process Feature	Without Pick and Place Cover
Circuit Application	Power & Signal

Industry Standards

Industry Standard	USB 2.0
UL Flammability Rating	UL 94V-0

Packaging Features

Packaging Quantity	1500
Packaging Method	Reel

Product Compliance

For compliance documentation, visit the product page on [TE.com](https://www.te.com)>

EU RoHS Directive 2011/65/EU	Compliant
------------------------------	-----------



EU ELV Directive 2000/53/EC	Not Yet Reviewed
China RoHS 2 Directive MIIT Order No 32, 2016	No Restricted Materials Above Threshold
EU REACH Regulation (EC) No. 1907/2006	Current ECHA Candidate List: JUNE 2022 (224) Candidate List Declared Against: JUNE 2022 (224) Does not contain REACH SVHC
Halogen Content	Low Halogen - Br, Cl, F, I < 900 ppm per homogenous material. Also BFR/CFR/PVC Free
Solder Process Capability	Not reviewed for solder process capability

Product Compliance Disclaimer

This information is provided based on reasonable inquiry of our suppliers and represents our current actual knowledge based on the information they provided. This information is subject to change. The part numbers that TE has identified as EU RoHS compliant have a maximum concentration of 0.1% by weight in homogenous materials for lead, hexavalent chromium, mercury, PBB, PBDE, DBP, BBP, DEHP, DIBP, and 0.01% for cadmium, or qualify for an exemption to these limits as defined in the Annexes of Directive 2011/65/EU (RoHS2). Finished electrical and electronic equipment products will be CE marked as required by Directive 2011/65/EU. Components may not be CE marked. Additionally, the part numbers that TE has identified as EU ELV compliant have a maximum concentration of 0.1% by weight in homogenous materials for lead, hexavalent chromium, and mercury, and 0.01% for cadmium, or qualify for an exemption to these limits as defined in the Annexes of Directive 2000/53/EC (ELV). Regarding the REACH Regulation, the information TE provides on SVHC in articles for this part number is based on the latest European Chemicals Agency (ECHA) 'Guidance on requirements for substances in articles' posted at this URL: <https://echa.europa.eu/guidance-documents/guidance-on-reach>

Compatible Parts

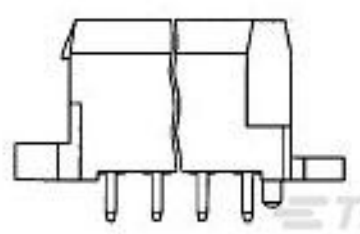


TE Part # 2345986-2
TYPE C 3.1 TOP MOUNT DUAL SMT
1.63CH 15U

Customers Also Bought



TE Part #T4141012051-000
M12,REAR MOUNTING,FEMALE,A
CODE,5P



TE Part #963357-6
2X 2P MESSERLEISTE



TE Part #7-215460-4
MICRO-MATCH FSID P



TE Part #3-1879216-0
CPF0402 120K 0.1% 25PPM 1K RL



Documents

Product Drawings

[USB Type C 2.0 Conn Rec Mid-Mount One Ro](#)

English

CAD Files

[3D PDF](#)

3D

Customer View Model

[ENG_CVM_CVM_2340901-1_1.2d_dxf.zip](#)

English

Customer View Model

[ENG_CVM_CVM_2340901-1_1.3d_igs.zip](#)

English

Customer View Model

[ENG_CVM_CVM_2340901-1_1.3d_stp.zip](#)

English

By downloading the CAD file I accept and agree to the [Terms and Conditions](#) of use.

Product Specifications

[Product Specification for USB Type C Connector](#)

English