



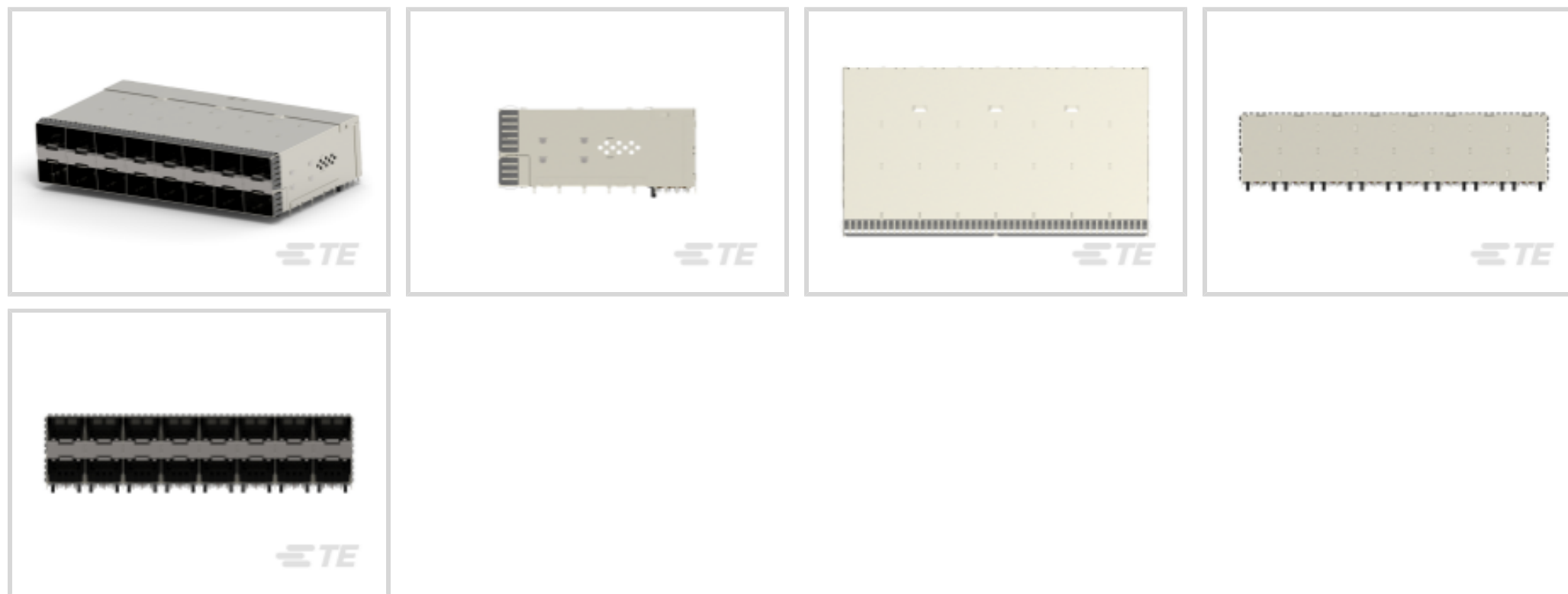
SFP56

TE Internal #: 2340033-5

zSFP+ Stacked (SFP56), Cage Assembly with Integrated Connector,  
 .018in [.6mm] Centerline, Signal

[View on TE.com >](#)

Connectors > Pluggable IO Connectors & Cages > SFP56 Stacked Cage Assembly: EMI Spring



Pluggable I/O Product Type: **Cage Assembly with Integrated Connector**

Number of Positions: **20**

Centerline (Pitch): **.6 mm [ .018 in ]**

Data Rate (Max): **56 Gb/s**

Number of Ports: **16**

[All SFP56 Stacked Cage Assembly: EMI Spring \(48\)](#)

**Features**

**Product Type Features**

Cage Type	Stacked
Pluggable I/O Product Type	Cage Assembly with Integrated Connector
Form Factor	zSFP+ Stacked (SFP56)

**Configuration Features**

Number of Positions	20
Number of Ports	16
Port Matrix Configuration	2 x 8

**Electrical Characteristics**

Data Rate (Max)	56 Gb/s
-----------------	---------

**Termination Features**

Termination Method to Printed Circuit Board	Through Hole - Press-Fit
---	--------------------------

**Housing Features**

Centerline (Pitch)	.6 mm [.018 in]
--------------------	-----------------



### Usage Conditions

Operating Temperature Range	-55 – 105 °C[-67 – 221 °F]
-----------------------------	----------------------------

### Operation/Application

Pluggable I/O Applications	SFP28
Circuit Application	Signal

### Other

Included Lightpipe	No
EMI Containment Feature Type	Internal/External EMI Springs

### Product Compliance

[For compliance documentation, visit the product page on TE.com>](#)

EU RoHS Directive 2011/65/EU	Compliant
EU ELV Directive 2000/53/EC	Compliant
China RoHS 2 Directive MIIT Order No 32, 2016	No Restricted Materials Above Threshold
EU REACH Regulation (EC) No. 1907/2006	Current ECHA Candidate List: JUNE 2023 (235) Candidate List Declared Against: JUNE 2023 (235) Does not contain REACH SVHC
Halogen Content	Low Halogen - Br, Cl, F, I < 900 ppm per homogenous material. Also BFR/CFR/PVC Free
Solder Process Capability	Not applicable for solder process capability

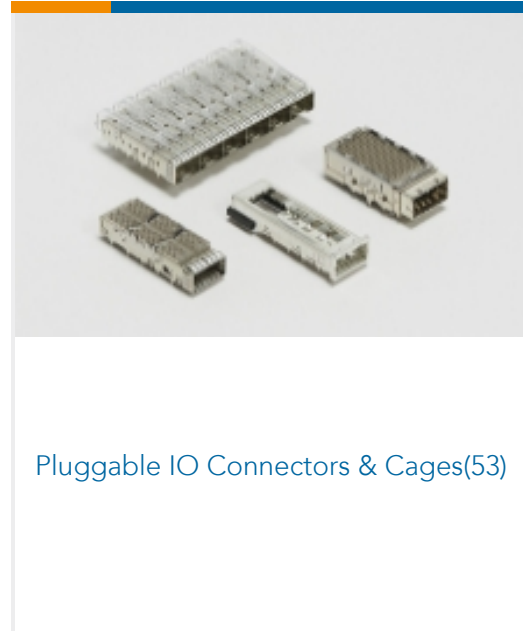
#### Product Compliance Disclaimer

This information is provided based on reasonable inquiry of our suppliers and represents our current actual knowledge based on the information they provided. This information is subject to change. The part numbers that TE has identified as EU RoHS compliant have a maximum concentration of 0.1% by weight in homogenous materials for lead, hexavalent chromium, mercury, PBB, PBDE, DBP, BBP, DEHP, DIBP, and 0.01% for cadmium, or qualify for an exemption to these limits as defined in the Annexes of Directive 2011/65/EU (RoHS2). Finished electrical and electronic equipment products will be CE marked as required by Directive 2011/65/EU. Components may not be CE marked. Additionally, the part numbers that TE has identified as EU ELV compliant have a maximum concentration of 0.1% by weight in homogenous materials for lead, hexavalent chromium, and mercury, and 0.01% for cadmium, or qualify for an exemption to these limits as defined in the Annexes of Directive 2000/53/EC (ELV). Regarding the REACH Regulation, the information TE provides on SVHC in articles for this part number is based on the latest European Chemicals Agency (ECHA) 'Guidance on requirements for substances in articles' posted at this URL: <https://echa.europa.eu/guidance-documents/guidance-on-reach>

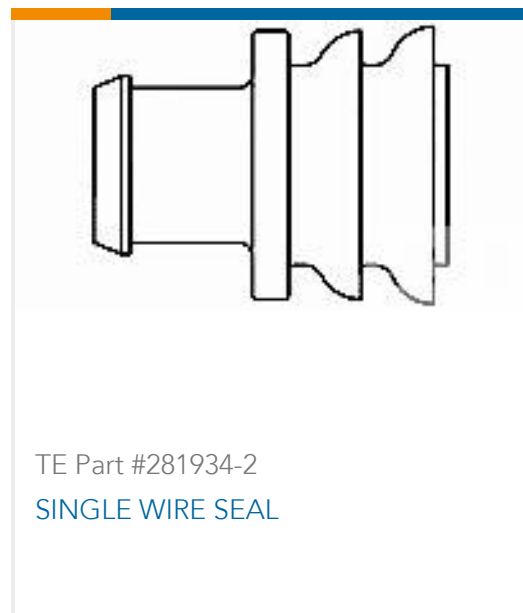
### Compatible Parts



### Also in the Series | SFP56



### Customers Also Bought



### Documents

[CAD Files](#)

[3D PDF](#)

[3D](#)

[Customer View Model](#)

[ENG\\_CVM\\_CVM\\_2340033-5\\_A.2d\\_dxf.zip](#)

English



**Customer View Model**

[ENG\\_CVM\\_CVM\\_2340033-5\\_A.3d\\_igs.zip](#)

English

**Customer View Model**

[ENG\\_CVM\\_CVM\\_2340033-5\\_A.3d\\_stp.zip](#)

English

By downloading the CAD file I accept and agree to the [Terms and Conditions](#) of use.

**Product Specifications**

[Application Specification](#)

English