

2335809-1 ✓ ACTIVE

HSIO | SFP56

TE Internal #: 2335809-1

SFP-DD, Cage Assembly, 16.25mm Centerline, High Speed Data,
Operating Temperature Range -55 – 85 °C, 15 Position, 1 Ports

[View on TE.com >](#)



Connectors > Pluggable IO Connectors & Cages



Pluggable I/O Product Type: **Cage Assembly**

Centerline (Pitch): **16.25 mm**

Sealable: **No**

Circuit Application: **High Speed Data**

Operating Temperature Range: **-55 – 85 °C**

Features

Product Type Features

Cage Type	1x1
Pluggable I/O Product Type	Cage Assembly
Sealable	No
Form Factor	SFP-DD

Configuration Features

Number of Positions	15
Number of Ports	1
Port Matrix Configuration	1 x 1

Termination Features

Termination Method to Printed Circuit Board	Through Hole - Press-Fit
---	--------------------------

Housing Features

Cage Material	Stainless Steel
Centerline (Pitch)	16.25 mm

Usage Conditions



Operating Temperature Range	-55 – 85 °C
-----------------------------	-------------

Operation/Application

Pluggable I/O Applications	SFP-DD
Circuit Application	High Speed Data

Other

Included Lightpipe	No
EMI Containment Feature Type	Internal/External EMI Springs

Product Compliance

[For compliance documentation, visit the product page on TE.com>](#)

EU RoHS Directive 2011/65/EU	Compliant
EU ELV Directive 2000/53/EC	Not Yet Reviewed
China RoHS 2 Directive MIIT Order No 32, 2016	No Restricted Materials Above Threshold
EU REACH Regulation (EC) No. 1907/2006	Current ECHA Candidate List: JUNE 2024 (241) Candidate List Declared Against: JUL 2021 (219) Does not contain REACH SVHC
Halogen Content	Low Halogen - Br, Cl, F, I < 900 ppm per homogenous material. Also BFR/CFR/PVC Free
Solder Process Capability	Not reviewed for solder process capability

Product Compliance Disclaimer

This information is provided based on reasonable inquiry of our suppliers and represents our current actual knowledge based on the information they provided. This information is subject to change. The part numbers that TE has identified as EU RoHS compliant have a maximum concentration of 0.1% by weight in homogenous materials for lead, hexavalent chromium, mercury, PBB, PBDE, DBP, BBP, DEHP, DIBP, and 0.01% for cadmium, or qualify for an exemption to these limits as defined in the Annexes of Directive 2011/65/EU (RoHS2). Finished electrical and electronic equipment products will be CE marked as required by Directive 2011/65/EU. Components may not be CE marked. Additionally, the part numbers that TE has identified as EU ELV compliant have a maximum concentration of 0.1% by weight in homogenous materials for lead, hexavalent chromium, and mercury, and 0.01% for cadmium, or qualify for an exemption to these limits as defined in the Annexes of Directive 2000/53/EC (ELV). Regarding the REACH Regulation, the information TE provides on SVHC in articles for this part number is based on the latest European Chemicals Agency (ECHA) 'Guidance on requirements for substances in articles' posted at this URL: <https://echa.europa.eu/guidance-documents/guidance-on-reach>

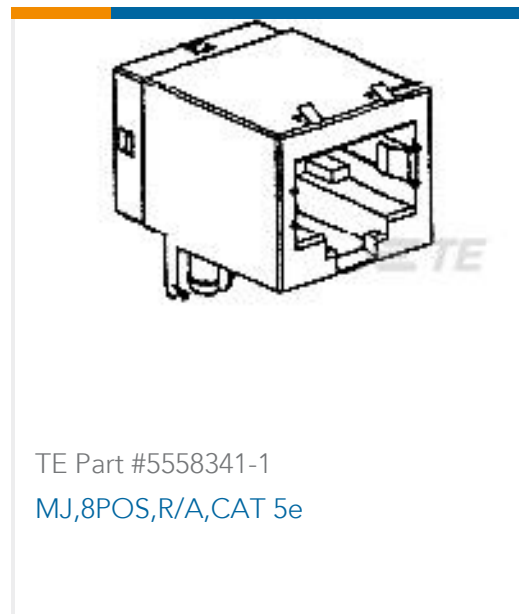
Compatible Parts



Also in the Series | SFP56



Customers Also Bought





Documents

Product Drawings

[CAGE ASSEMBLY WIHT SPRING,SFP-DD 1X1](#)

English

CAD Files

[3D PDF](#)

3D

Customer View Model

[ENG_CVM_CVM_2335809-1_A.2d_dxf.zip](#)

English

Customer View Model

[ENG_CVM_CVM_2335809-1_A.3d_igs.zip](#)

English

Customer View Model

[ENG_CVM_CVM_2335809-1_A.3d_stp.zip](#)

English

By downloading the CAD file I accept and agree to the [Terms and Conditions](#) of use.

Product Specifications

[Application Specification](#)

English