



**MAG-MATE**

TE Internal #: 2328510-1

Magnet Wire Terminals, Tab, Mating Tab Width .187 in [4.75 mm],  
 Size 2, .95 – 1.15 mm Aluminum Wire, 20 – 18 AWG Magnet Wire,  
 MAG-MATE

[View on TE.com >](#)

Terminals & Splices > Magnet Wire Terminals



Magnet Wire Terminal Type: **Tab**  
 Mating Tab Width: **4.75 mm [ .187 in ]**  
 Mating Tab Thickness: **.51 mm [ .02 in ]**  
 Compatible With Cavity Size: **Size 2**  
 Aluminum Wire Size: **.95 – 1.15 mm**

**Features**

**Product Type Features**

Compatible With Discrete Wire Type	Magnet Wire, Solid
------------------------------------	--------------------

**Body Features**

Compatible With Cavity Size	Size 2
-----------------------------	--------

**Contact Features**

Magnet Wire Terminal Type	Tab
Mating Tab Width	4.75 mm[.187 in]
Mating Tab Thickness	.51 mm[.02 in]
Terminal Plating Material	Tin
Contact Underplating Material	None
Terminal Orientation	Straight

**Termination Features**

Termination Method to Wire & Cable	Insulation Displacement (IDC)
------------------------------------	-------------------------------

**Mechanical Attachment**

--	--



Contact Mating Retention Type	Hole
-------------------------------	------

### Dimensions

Terminal Height	16 mm[.63 in]
Aluminum Wire Size	.95 – 1.15 mm
Magnet Wire Size	.81 – 1.02 mm
Stock Thickness (Magnet Wire Side)	.51 mm[.02 in]
Overall Product Length	16 mm[.63 in]

### Usage Conditions

Insulation Option	Uninsulated
Operating Temperature Range	-65 – 150 °C[-85 – 302 °F]

### Operation/Application

Compatible With Wire Base Material	Aluminum, Copper
------------------------------------	------------------

### Identification Marking

Identification Number	24
-----------------------	----

### Industry Standards

RU (UL Component Program)	Recognized
---------------------------	------------

### Packaging Features

Packaging Quantity	12000
Packaging Method	Reel/Carton

### Other

Comment	After insertion into plastic cavity, tab portion must be bent over 45°-90° or potted in to prevent pullout when mating receptacle is disconnected., Single magnet wire only.
---------	--

### Product Compliance

[For compliance documentation, visit the product page on TE.com>](#)

EU RoHS Directive 2011/65/EU	Compliant
EU ELV Directive 2000/53/EC	Compliant
China RoHS 2 Directive MIIT Order No 32, 2016	No Restricted Materials Above Threshold
EU REACH Regulation (EC) No. 1907/2006	Current ECHA Candidate List: JAN 2023 (233)



Candidate List Declared Against: JAN 2023  
(233)

Does not contain REACH SVHC

Halogen Content	Low Halogen - Br, Cl, F, I < 900 ppm per homogenous material. Also BFR/CFR/PVC Free
Solder Process Capability	Not reviewed for solder process capability

Product Compliance Disclaimer

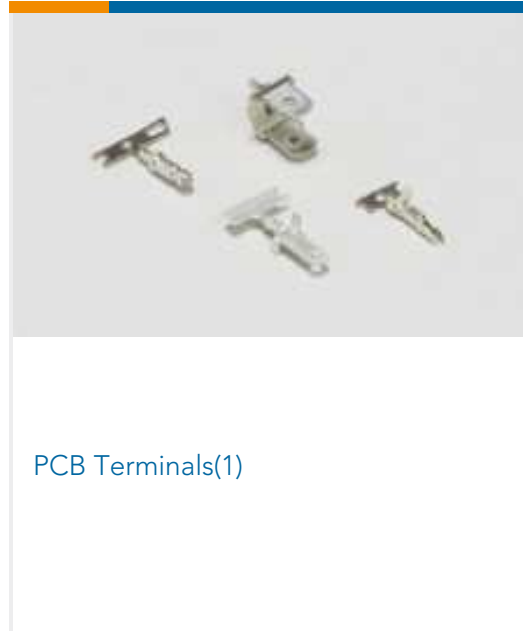
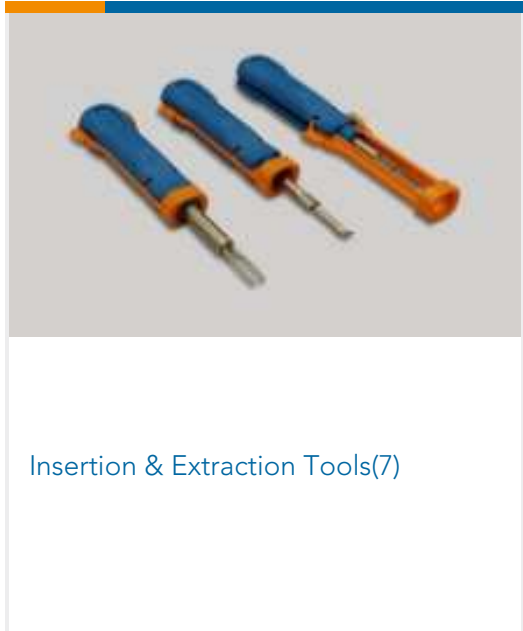
This information is provided based on reasonable inquiry of our suppliers and represents our current actual knowledge based on the information they provided. This information is subject to change. The part numbers that TE has identified as EU RoHS compliant have a maximum concentration of 0.1% by weight in homogenous materials for lead, hexavalent chromium, mercury, PBB, PBDE, DBP, BBP, DEHP, DIBP, and 0.01% for cadmium, or qualify for an exemption to these limits as defined in the Annexes of Directive 2011/65/EU (RoHS2). Finished electrical and electronic equipment products will be CE marked as required by Directive 2011/65/EU. Components may not be CE marked. Additionally, the part numbers that TE has identified as EU ELV compliant have a maximum concentration of 0.1% by weight in homogenous materials for lead, hexavalent chromium, and mercury, and 0.01% for cadmium, or qualify for an exemption to these limits as defined in the Annexes of Directive 2000/53/EC (ELV). Regarding the REACH Regulation, the information TE provides on SVHC in articles for this part number is based on the latest European Chemicals Agency (ECHA) 'Guidance on requirements for substances in articles' posted at this URL: <https://echa.europa.eu/guidance-documents/guidance-on-reach>

## Compatible Parts

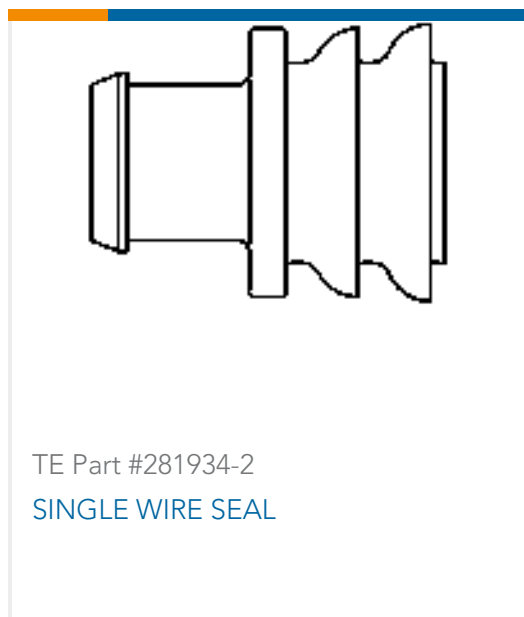
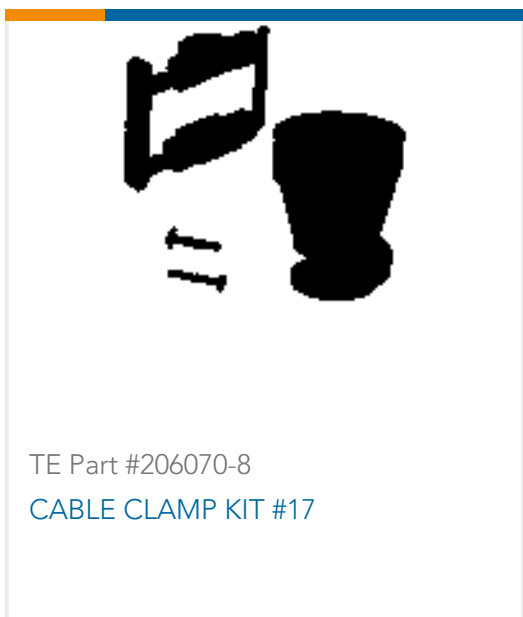
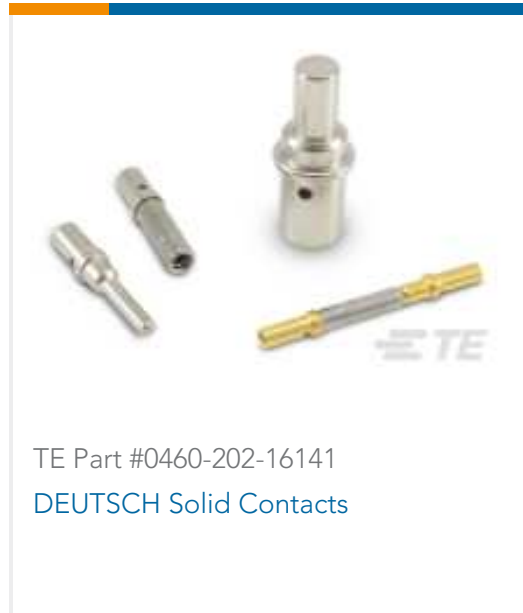
 <p>TE Part # 62888-2 MAG-MATE 187 TAB 020 TPBR</p>	 <p>TE Part # 63273-1 MAG-MATE 187 FAST TAB 020TPBR</p>	 <p>TE Part # 62514-1 MAG-MATE 27-23 187 F TAB TPBR</p>	 <p>TE Part # 62904-1 MAG-MATE 187 TAB 020 TPBR</p>
 <p>TE Part # 62511-1 MAG-MATE 22-20 187 F TAB TPBR</p>	 <p>TE Part # 62514-2 MAG-MATE 27-23 187 F TAB TPBR</p>	 <p>TE Part # 63782-1 TAB,187 FAST MAG-MATE 020TPBR</p>	 <p>TE Part # 63710-2 TAB, 187 MAG-MATE SLIM LN.</p>



### Also in the Series | MAG-MATE



### Customers Also Bought



### Documents

#### Product Drawings

[300BOX MAG-MATE TERMINAL WITH 187 TAB](#)

English

#### CAD Files

[3D PDF](#)

[3D](#)



**Customer View Model**

[ENG\\_CVM\\_CVM\\_2328510-1\\_C.2d\\_dxf.zip](#)

English

**Customer View Model**

[ENG\\_CVM\\_CVM\\_2328510-1\\_C.3d\\_igs.zip](#)

English

**Customer View Model**

[ENG\\_CVM\\_CVM\\_2328510-1\\_C.3d\\_stp.zip](#)

English

By downloading the CAD file I accept and agree to the [Terms and Conditions](#) of use.

**Product Specifications**

[Application Specification](#)

English