

2326782-2 ✓ ACTIVE

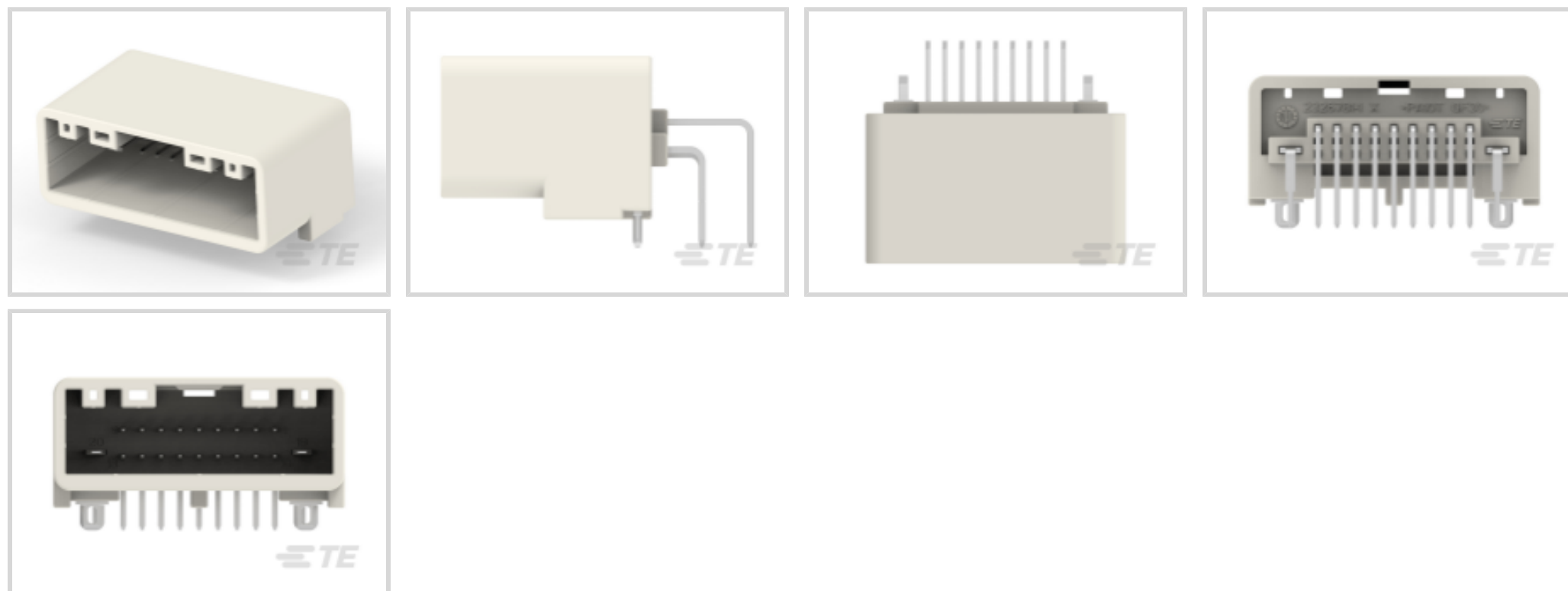
TE Internal #: 2326782-2

PCB Mount Header, Right Angle, Wire-to-Board, 20 Position, 2.2 mm [.086 in] Centerline, Fully Shrouded, Tin (Sn), Through Hole - Solder, Natural, Reel

[View on TE.com >](#)



Connectors > PCB Connectors > PCB Headers & Receptacles



Connector System: **Wire-to-Board**

Number of Positions: **20**

Number of Rows: **2**

Centerline (Pitch): **2.2 mm [.086 in]**

PCB Mount Orientation: **Right Angle**

Features

Product Type Features

Mixed & Hybrid Header	Yes
Connector System	Wire-to-Board
Header Type	Fully Shrouded
Connector & Contact Terminates To	Printed Circuit Board
PCB Connector Assembly Type	PCB Mount Header

Configuration Features

Number of Positions	20
Number of Rows	2
PCB Mount Orientation	Right Angle

Body Features

Primary Product Color	Natural
-----------------------	---------

Contact Features

Contact Mating Area Plating Material	Tin (Sn)
Contact Type	Pin



Termination Features

Termination Method to Printed Circuit Board	Through Hole - Solder
---------------------------------------------	-----------------------

Mechanical Attachment

Connector Mounting Type	Board Mount
Mating Alignment	With
PCB Mount Alignment	With
PCB Mount Retention	With

Housing Features

Centerline (Pitch)	2.2 mm [.086 in]
--------------------	------------------

Packaging Features

Packaging Method	Reel
------------------	------

Product Compliance

[For compliance documentation, visit the product page on TE.com>](#)

EU RoHS Directive 2011/65/EU	Compliant
EU ELV Directive 2000/53/EC	Compliant
China RoHS 2 Directive MIIT Order No 32, 2016	No Restricted Materials Above Threshold
EU REACH Regulation (EC) No. 1907/2006	Current ECHA Candidate List: JAN 2024 (240) Candidate List Declared Against: JUNE 2023 (235) Does not contain REACH SVHC
Halogen Content	Low Halogen - Br, Cl, F, I < 900 ppm per homogenous material. Also BFR/CFR/PVC Free
Solder Process Capability	Reflow solder capable to 260°C

Product Compliance Disclaimer

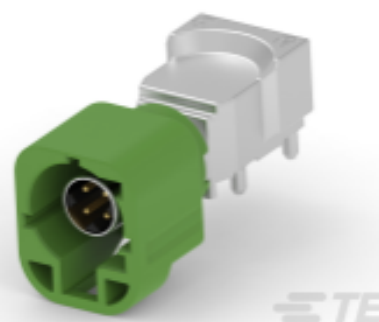
This information is provided based on reasonable inquiry of our suppliers and represents our current actual knowledge based on the information they provided. This information is subject to change. The part numbers that TE has identified as EU RoHS compliant have a maximum concentration of 0.1% by weight in homogenous materials for lead, hexavalent chromium, mercury, PBB, PBDE, DBP, BBP, DEHP, DIBP, and 0.01% for cadmium, or qualify for an exemption to these limits as defined in the Annexes of Directive 2011/65/EU (RoHS2). Finished electrical and electronic equipment products will be CE marked as required by Directive 2011/65/EU. Components may not be CE marked. Additionally, the part numbers that TE has identified as EU ELV compliant have a maximum concentration of 0.1% by weight in homogenous materials for lead, hexavalent chromium, and mercury, and 0.01% for cadmium, or qualify for an exemption to these limits as defined in the Annexes of Directive 2000/53/EC (ELV). Regarding the REACH Regulation, the information TE provides on SVHC in articles for this part number is based on the latest European Chemicals Agency (ECHA) 'Guidance on requirements for substances in articles' posted at this URL: <https://echa.europa.eu/guidance-documents/guidance-on-reach>

Compatible Parts

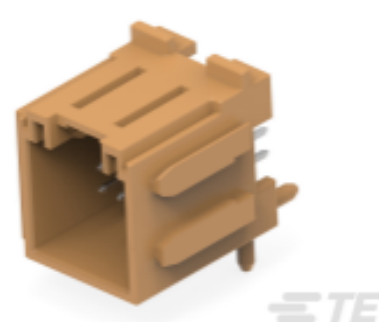


TE Part # 2040487-1
20P PLUG ASSY 0.64III/2.3TW CONN.

Customers Also Bought



TE Part #1-2291362-5
4POS,PIN DIA 0.6,HEADER ASSY,
CODE L



TE Part #1-2320179-2
8POS,TAB0.63X0.63,HDR ASSY,
180DEG,SLDR



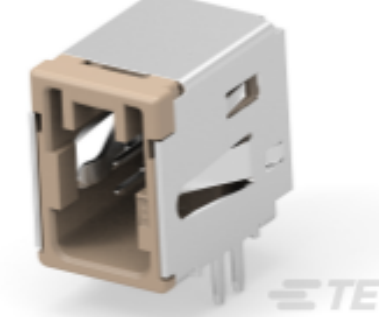
TE Part #1-2378550-2
4P MATE-AX,HDR ASSY,180DEG,COD
B,CAP



TE Part #1-2401924-1
MATENet 1P vertical header with cap



TE Part #2237149-2
8POS,TAB0.64X0.64,HDR ASSY,
90DEG,SMD



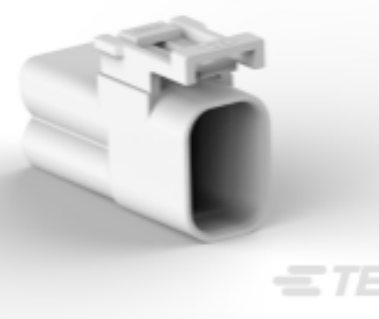
TE Part #2290247-3
4POS,0.50 HSL,90 DEG,COD C



TE Part #2315739-3
8POS,0.50,HDR ASSY,180DEG,COD C,
HSL



TE Part #2362662-2
8POS,0.50,HDR ASSY,90DEG,KEY-A,
KEY-D



TE Part #2366249-4
CAP HSG, SDL 2.5, 4P

TE Part #2390187-1
X01 DUAL BAND WIFI ANTENNA

Documents

Product Drawings

[20POS,HYBRID,HDR ASSY,90DEG,SLDR](#)

English

CAD Files

[3D PDF](#)

[3D](#)



Customer View Model

[ENG_CVM_CVM_2326782-2_A.2d_dxf.zip](#)

English

Customer View Model

[ENG_CVM_CVM_2326782-2_A.3d_igs.zip](#)

English

Customer View Model

[ENG_CVM_CVM_2326782-2_A.3d_stp.zip](#)

English

By downloading the CAD file I accept and agree to the [Terms and Conditions](#) of use.