

2325102-1 ✓ ACTIVE

enetSEAL+

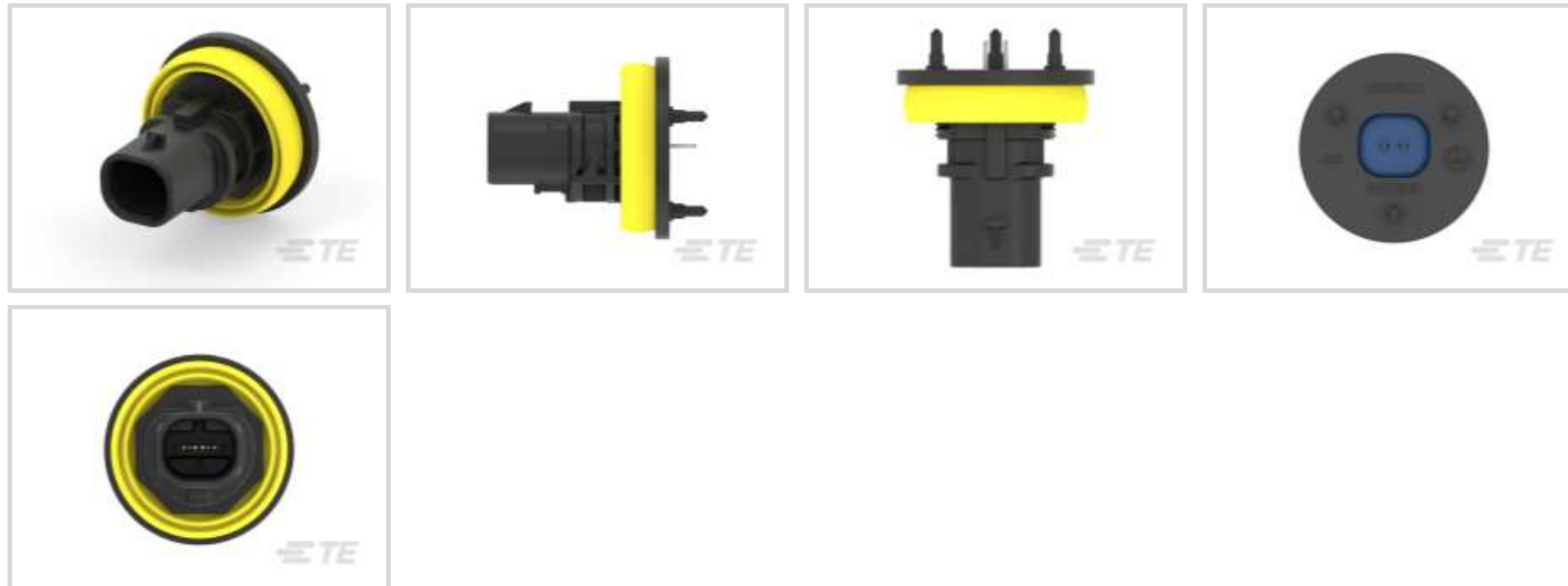
TE Internal #: 2325102-1

PCB Mount Header, Vertical, Wire-to-Board, 2 Position, 2.54 mm [.1 in] Centerline, Fully Shrouded, Unplated, Through Hole - Solder, Sealable, Signal

[View on TE.com >](#)



Connectors > PCB Connectors > PCB Headers & Receptacles



Connector System: **Wire-to-Board**

Number of Positions: **2**

Centerline (Pitch): **2.54 mm [.1 in]**

Sealable: **Yes**

PCB Mount Orientation: **Vertical**

Features

Product Type Features

| | |
|-----------------------------------|-----------------------|
| Connector Shape | Rectangular |
| PCB Connector Assembly Type | PCB Mount Header |
| Header Type | Fully Shrouded |
| Connector System | Wire-to-Board |
| Sealable | Yes |
| Connector & Contact Terminates To | Printed Circuit Board |

Configuration Features

| | |
|-----------------------|----------|
| Number of Sections | 1 |
| Number of Positions | 2 |
| PCB Mount Orientation | Vertical |
| Number of Rows | 1 |

Electrical Characteristics

| | |
|-------------------|--------|
| Operating Voltage | 33 VAC |
|-------------------|--------|

Body Features



| | |
|-----------------------|-------|
| Primary Product Color | Black |
|-----------------------|-------|

| | |
|-------------------------|---|
| Connector & Keying Code | A |
|-------------------------|---|

Contact Features

| | |
|--------------|-----|
| Contact Size | 8mm |
|--------------|-----|

| | |
|--------------|-----|
| Contact Type | Tab |
|--------------|-----|

| | |
|------------------|-----------------|
| Mating Tab Width | 1.2 mm[.047 in] |
|------------------|-----------------|

| | |
|----------------------|----------------|
| Mating Tab Thickness | .6 mm[.024 in] |
|----------------------|----------------|

| | |
|--------------------------------------|----------|
| Contact Mating Area Plating Material | Unplated |
|--------------------------------------|----------|

| | |
|------------------------------|------|
| Contact Current Rating (Max) | 10 A |
|------------------------------|------|

Termination Features

| | |
|---|-----------------------|
| Termination Method to Printed Circuit Board | Through Hole - Solder |
|---|-----------------------|

Mechanical Attachment

| | |
|------------------|------|
| Mating Alignment | With |
|------------------|------|

| | |
|-------------------------|-------------|
| Connector Mounting Type | Board Mount |
|-------------------------|-------------|

Housing Features

| | |
|--------------------|----------------|
| Centerline (Pitch) | 2.54 mm[.1 in] |
|--------------------|----------------|

Usage Conditions

| | |
|-----------------------------|----------------------------|
| Operating Temperature Range | -40 – 125 °C[-40 – 257 °F] |
|-----------------------------|----------------------------|

Operation/Application

| | |
|---------------------|--------|
| Circuit Application | Signal |
|---------------------|--------|

Product Compliance

[For compliance documentation, visit the product page on TE.com>](#)

| | |
|------------------------------|-----------|
| EU RoHS Directive 2011/65/EU | Compliant |
|------------------------------|-----------|

| | |
|-----------------------------|-----------|
| EU ELV Directive 2000/53/EC | Compliant |
|-----------------------------|-----------|

| | |
|---|---|
| China RoHS 2 Directive MIIT Order No 32, 2016 | No Restricted Materials Above Threshold |
|---|---|

| | |
|--|---|
| EU REACH Regulation (EC) No. 1907/2006 | Current ECHA Candidate List: JAN 2023 (233) Candidate List Declared Against: JAN 2023 (233) Does not contain REACH SVHC |
|--|---|

| | |
|-----------------|---|
| Halogen Content | Low Halogen - Br, Cl, F, I < 900 ppm per homogenous material. Also BFR/CFR/PVC Free |
|-----------------|---|



Solder Process Capability

Not reviewed for solder process capability

Product Compliance Disclaimer

This information is provided based on reasonable inquiry of our suppliers and represents our current actual knowledge based on the information they provided. This information is subject to change. The part numbers that TE has identified as EU RoHS compliant have a maximum concentration of 0.1% by weight in homogenous materials for lead, hexavalent chromium, mercury, PBB, PBDE, DBP, BBP, DEHP, DIBP, and 0.01% for cadmium, or qualify for an exemption to these limits as defined in the Annexes of Directive 2011/65/EU (RoHS2). Finished electrical and electronic equipment products will be CE marked as required by Directive 2011/65/EU. Components may not be CE marked. Additionally, the part numbers that TE has identified as EU ELV compliant have a maximum concentration of 0.1% by weight in homogenous materials for lead, hexavalent chromium, and mercury, and 0.01% for cadmium, or qualify for an exemption to these limits as defined in the Annexes of Directive 2000/53/EC (ELV). Regarding the REACH Regulation, the information TE provides on SVHC in articles for this part number is based on the latest European Chemicals Agency (ECHA) 'Guidance on requirements for substances in articles' posted at this URL: <https://echa.europa.eu/guidance-documents/guidance-on-reach>

Compatible Parts



TE Part # 2292906-1
2POS,MCON 1.2,REC HSG ASSY,SLD, COD A



TE Part # 2325098-2
MNTG CLIP,ENETSEAL PLUS



TE Part # 2325098-4
MNTG CLIP,ENETSEAL PLUS



TE Part # 2325098-6
MNTG CLIP,ENETSEAL PLUS



TE Part # 2325098-7
MNTG CLIP,ENETSEAL PLUS



TE Part # 2325098-8
MNTG CLIP,ENETSEAL PLUS



TE Part # 2345284-1
2POS,MCON 1.2,REC HSG ASSY,SLD, COD A

Customers Also Bought



TE Part #1625984-7
Power Resistors: Aluminum Housed, HSA



TE Part #3-1879074-2
THS15 270R 5%



TE Part #DT06-2S-E003
PLG, 2P, GRY, N, CAP



TE Part #1670144-3
MCON 1.2 CB REC SRC AG



Documents

CAD Files

3D PDF

3D

Customer View Model

[ENG_CVM_CVM_2325102-1_A.2d_dxf.zip](#)

English

Customer View Model

[ENG_CVM_CVM_2325102-1_A.3d_igs.zip](#)

English

Customer View Model

[ENG_CVM_CVM_2325102-1_A.3d_stp.zip](#)

English

By downloading the CAD file I accept and agree to the [Terms and Conditions](#) of use.

Product Specifications

Application Specification

English