

Front adapters - VIP-PA-FLK14/ 1,5M/S7



2322689

<https://www.phoenixcontact.com/de/produkte/2322689>

Please be informed that the data shown in this PDF document is generated from our Online Catalog. Please find the complete data in the user documentation. Our General Terms of Use for Downloads are valid.



VIP VARIOFACE front adapter, with connected system cables for SMATIC S7-300, 2 x 8 channels can be connected, cable length: 1.5 m

Your advantages

- Power supply via terminal blocks with spring-cage double connection
- Can be screwed on with the I/O module
- Encapsulated socket strips on the module side

Commercial Data

Item number	2322689
Packing unit	1 pc
Minimum order quantity	1 pc
Sales Key	I1 - Systemverkabelung
Product Key	CK2317
Catalog Page	Page 501 (C-5-2019)
GTIN	4046356452489
Weight per Piece (including packing)	334,5 g
Weight per Piece (excluding packing)	334,5 g
Customs tariff number	85444290
Country of origin	DE

Technical Data

Notes

Notes on operation	<p>To prevent short circuits, all wire bridges on the following I/O cards are to be separated.</p> <p>There may not be any voltage supply at the front adapter.</p> <p>6ES7 321-1BH50-0AA0 6ES7 321-7BH01-0AB0 6ES7 322-8BF00-0AB0 6ES7 331-7KF02-0AB0 6ES7 331-7HF01-0AB0 6ES7 331-7KB02-0AB0 6ES7 331-7TF01-0AB0 6ES7 332-5HD01-0AB0 6ES7 332-5HB01-0AB0 6ES7 332-7ND02-0AB0 6ES7 334-0CE01-0AA0 6ES7 334-0KE00-0AB0 6ES7 335-7HG01-0AB0 6ES7 338-4BC01-0AB0 6ES7 350-1AH03-0AE0 6ES7 351-1AH01-0AE0 6ES7 352-1AH02-0AE0 6ES7 353-1AH01-0AE0 6ES7 354-1AH01-0AE0 6ES7 355-0VH10-0AE0 6ES7 355-1VH10-0AE0</p>
Notes on operation	<p><u>Digital I/O cards</u></p> <p>Thanks to the existing wire bridge upon delivery, the input and output bytes are non-isolated.</p>

Product properties

Product type	Front adapter
Insulation characteristics	
Overvoltage category	II
Pollution degree	2
Insulation	Functional insulation

Electrical properties

Max. permissible operating voltage	25 V AC
	60 V DC
Max. permissible current	1 A (per path)
	8 A (per connection, supply via separate power supply)
Max. permissible total current	2 A (per byte, supply via separate bridged power supply)
Nominal operating mode	100% operating factor
Rated insulation voltage	63 V
Rated surge voltage	0.6 kV

Supported controller SIEMENS S7-300 / ET 200 M

Suitable I/O card	6ES7321-1BH50-0AA0
	6ES7321-7BH01-0AB0

Front adapters - VIP-PA-FLK14/ 1,5M/S7



2322689

<https://www.phoenixcontact.com/de/produkte/2322689>

	6ES7321-1BH02-0AA0
	6ES7321-1BH10-0AA0
	6ES7322-1BH01-0AA0
	6ES7322-8BF00-0AB0
	6ES7322-1BH10-0AA0
	6ES7323-1BH01-0AA0
	6ES7331-7HF01-0AB0
	6ES7331-7KF02-0AB0
	6ES7331-7KB02-0AB0
	6ES7331-7TF01-0AB0
	6ES7332-5HD01-0AB0
	6ES7332-5HB01-0AB0
	6ES7332-7ND02-0AB0
	6ES7332-8TF01-0AB0
	6ES7334-0CE01-0AA0
	6ES7334-0KE00-0AB0
	6ES7335-7HG01-0AB0
	6ES7338-4BC01-0AB0
	6ES7350-1AH03-0AE0
	6ES7351-1AH01-0AE0
	6ES7352-1AH02-0AE0
	6ES7353-1AH01-0AE0
	6ES7354-1AH01-0AE0
	6ES7355-0VH10-0AE0
	6ES7355-1VH10-0AE0

Connection data

Control side

Connection method	Plug-in connection
Note	Can be plugged onto 20-pos. I/O modules

Field level

Connection in acc. with standard	IEC 60603-13
Connection method	IDC/FLK socket strip
Number of connections	2
Number of positions	14
Pitch	2.54 mm

Supply

Connection method	Push-in connection
Stripping length	10 mm
Conductor cross section solid	0.2 mm ² ... 2.5 mm ²
Conductor cross section flexible	0.2 mm ² ... 2.5 mm ²
Conductor cross section AWG	24 ... 14

Front adapters - VIP-PA-FLK14/ 1,5M/S7



2322689

<https://www.phoenixcontact.com/de/produkte/2322689>

Dimensions

Length	1.5 m
--------	-------

Cable / line

Cable length	1.5 m
--------------	-------

14X0.14 [PVC]

UL AWM Style	2464/1061
Number of positions	14
Shielded	no
Cable type	14X0.14 [PVC]
Conductor type	Round cable set
Conductor structure signal line	7x 0.16 mm
AWG signal line	26
Conductor cross section	14x 0.14 mm ²
Wire diameter incl. insulation	1 mm ±0.03 mm
External cable diameter	6.4 mm ±0.4 mm
Outer sheath, material	Semi-rigid PVC
External sheath, color	gray
Conductor material	Tin-plated Cu litz wires
Cable resistance	≤ 145 Ω/km (20 °C)
Insulation resistance	≥ 20 MΩ*km (20 °C)
Smallest bending radius, fixed installation	55 mm
Smallest bending radius, movable installation	104 mm
Max. bending cycles	5000 (at a radius of ≥ 15x outside diameter)
Halogen-free	no
Flame resistance	IEC 60332-1-2 (raw cable) VDE 0842, Part 332-1-2 (raw cable) IEC 60332-3-22 (raw cable) UL VW-1 CSA FT-1
Resistance to oil	can withstand occasional splashes (raw cable)

Environmental and real-life conditions

Ambient conditions

Degree of protection	IP20
Degree of protection Installation location	≥ IP54 (Installation location)
Ambient temperature (operation)	-20 °C ... 50 °C
Ambient temperature (storage/transport)	-20 °C ... 70 °C
Altitude	≤ 2000 m

Approval data

UKCA

Front adapters - VIP-PA-FLK14/ 1,5M/S7



2322689

<https://www.phoenixcontact.com/de/produkte/2322689>

Certificate	UKCA-compliant
-------------	----------------

Standards and regulations

Air clearances and creepage distances

Standards/regulations	DIN EN 50178
-----------------------	--------------

Mounting

Mounting position	any
-------------------	-----

Front adapters - VIP-PA-FLK14/ 1,5M/S7

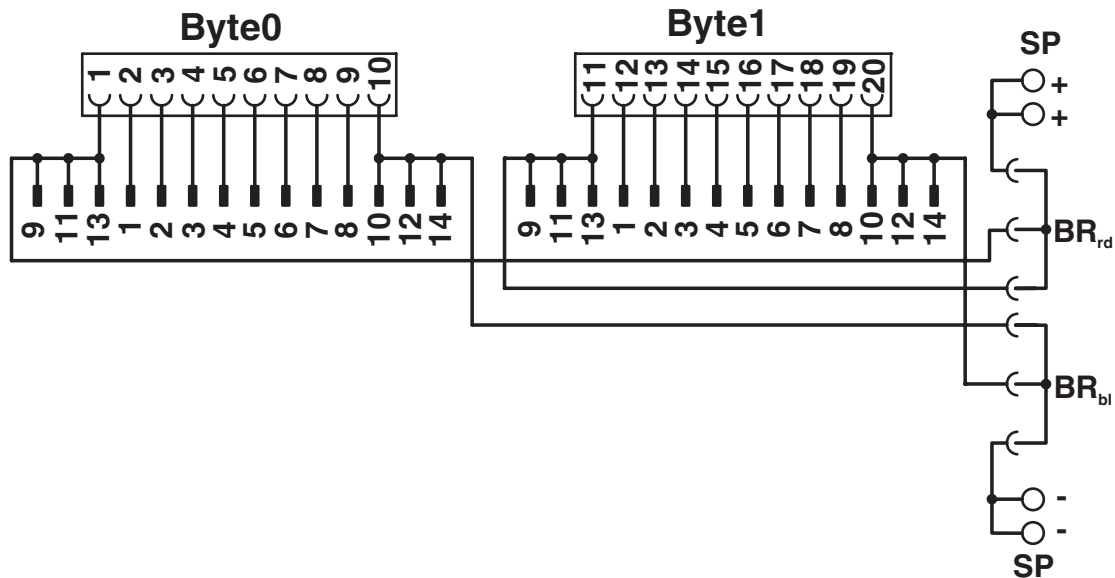


2322689

<https://www.phoenixcontact.com/de/produkte/2322689>

Drawings

Circuit diagram




Front adapters - VIP-PA-FLK14/ 1,5M/S7



2322689

<https://www.phoenixcontact.com/de/produkte/2322689>

Approvals

 cUL Recognized Approval ID: FILE E 238705				
	Nominal Voltage U_N	Nominal Current I_N	Cross Section AWG	Cross Section mm^2
	50 V	1 A	-	-

 UL Recognized Approval ID: FILE E 238705				
	Nominal Voltage U_N	Nominal Current I_N	Cross Section AWG	Cross Section mm^2
	50 V	1 A	-	-

cULus Recognized

Front adapters - VIP-PA-FLK14/ 1,5M/S7



2322689

<https://www.phoenixcontact.com/de/produkte/2322689>

Classifications

ECLASS

ECLASS-9.0	27242292
ECLASS-10.0.1	27242292
ECLASS-11.0	27242292

ETIM

ETIM 8.0	EC002584
----------	----------

UNSPSC

UNSPSC 21.0	32151600
-------------	----------

Front adapters - VIP-PA-FLK14/ 1,5M/S7



2322689

<https://www.phoenixcontact.com/de/produkte/2322689>

Environmental Product Compliance

China RoHS	Environmentally friendly use period: unlimited = EFUP-e No hazardous substances above threshold values
------------	---

Front adapters - VIP-PA-FLK14/ 1,5M/S7

2322689

<https://www.phoenixcontact.com/de/produkte/2322689>

Accessories

Passive module

Passive module - VIP-2/SC/2FLK14 (1-20) /S7 - 2315230

<https://www.phoenixcontact.com/de/produkte/2315230>



VARIOFACE interface module for Siemens SIMATIC® S7-300, for max. 16 channels with SIMATIC®-specific labeling (1 - 20), with screw connection, module width: 80.6 mm

Passive module

Passive module - VIP-2/PT/2FLK14 (1-20) /S7 - 2903802

<https://www.phoenixcontact.com/de/produkte/2903802>



VARIOFACE interface module for Siemens SIMATIC® S7-300, for max. 16 channels with SIMATIC®-specific labeling (1 - 20), with push-in connection, module width: 82.5 mm

Front adapters - VIP-PA-FLK14/ 1,5M/S7

2322689

<https://www.phoenixcontact.com/de/produkte/2322689>

Passive module

Passive module - FLKM-2FLK14/KDS3-MT/PPA/S7 - 2295062

<https://www.phoenixcontact.com/de/produkte/2295062>



VARIOFACE interface module for Siemens SIMATIC® S7-300, for max. 16 channels, with SIMATIC®-specific labeling (1 - 20), knife disconnect terminal block and test connection, module width: 113 mm

System connection

System connection - PLC-V8/FLK14/OUT - 2295554

<https://www.phoenixcontact.com/de/produkte/2295554>



V8 adapter for 8 x PLC-INTERFACE (6.2 mm), controller: PLC system cabling of output cards, connection 1: Screw connection 1x, connection 2: IDC/FLK pin strip 1x 14-position, connection 3: Plug-in connection (Can be snapped onto 8x PLC-INTERFACE terminals), number of channels: 8, control logic: plusschaltend

Front adapters - VIP-PA-FLK14/ 1,5M/S7

2322689

<https://www.phoenixcontact.com/de/produkte/2322689>

System connection

System connection - PLC-V8/FLK14/IN - 2296553

<https://www.phoenixcontact.com/de/produkte/2296553>



V8 adapter for 8 x PLC-INTERFACE (6.2 mm), controller: PLC system cabling of input cards, connection 1: Screw connection 1x, connection 2: IDC/FLK pin strip 1x 14-position, connection 3: Plug-in connection (Can be snapped onto 8x PLC-INTERFACE terminals), number of channels: 8, control logic: plusschaltend

System connection

System connection - PLC-V8L/FLK14/OUT - 2299660

<https://www.phoenixcontact.com/de/produkte/2299660>



V8 adapter for 8 x PLC-INTERFACE (14 mm), controller: PLC system cabling of output cards, connection 1: Screw connection 1x, connection 2: IDC/FLK pin strip 1x 14-position, connection 3: Plug-in connection (Can be snapped onto 8x PLC-INTERFACE terminals), number of channels: 8, control logic: plusschaltend

Front adapters - VIP-PA-FLK14/ 1,5M/S7

2322689

<https://www.phoenixcontact.com/de/produkte/2322689>

Passive module

Passive module - VIP-3/SC/FLK14/8IM/PLC - 2322278

<https://www.phoenixcontact.com/de/produkte/2322278>



VARIOfACE sensor module, for connecting 8 pnp sensors

Passive module

Passive module - VIP-3/PT/FLK14/8IM/PLC - 2904282

<https://www.phoenixcontact.com/de/produkte/2904282>



VARIOfACE sensor module, with push-in connection, for connecting 8 pnp sensors

Front adapters - VIP-PA-FLK14/ 1,5M/S7

2322689

<https://www.phoenixcontact.com/de/produkte/2322689>



Cable marker carrier

Cable marker carrier - KME - 0807083

<https://www.phoenixcontact.com/de/produkte/0807083>



Cable marker carrier, white, unlabeled, mounting type: Assembly with cable ties, cable diameter: > 5 mm, lettering field size: 20 mm x 8 mm

Phoenix Contact 2023 © - all rights reserved

<https://www.phoenixcontact.com>

PHOENIX CONTACT Deutschland GmbH

Flachmarktstraße 8

D-32825 Blomberg

+49 52 35/3-1 20 00

info@phoenixcontact.de