

2313391-1 ✓ ACTIVE

NanoRF Optical

TE Internal #: 2313391-1

10 Coaxial Contacts, Right Angle, Aluminum, Cable-to-Cable, 11 Position, 25.4 mm [1 in] Centerline, Wire & Cable, NanoRF Optical, PCB RF Modules

[View on TE.com >](#)



Connectors > RF Connectors > RF Modules > PCB RF Modules



Number of Coaxial Contacts: 10

PCB Mount Orientation: **Right Angle**

Body Material: **Aluminum**

Connector System: **Cable-to-Cable**

Number of Positions: 11

Features

Product Type Features

Connector System	Cable-to-Cable
Connector & Contact Terminates To	Wire & Cable

Configuration Features

Number of Coaxial Contacts	10
PCB Mount Orientation	Right Angle
Number of Positions	11

Electrical Characteristics

Impedance	50 Ω
-----------	-------------

Body Features

Body Plating Material	Trivalent Chromate
Body Material	Aluminum

Contact Features

RF Connector Center Contact Material	Beryllium Copper
Contact Current Rating (Max)	1 A

Mechanical Attachment

Connector Mounting Type	Board Mount
-------------------------	-------------

Housing Features



Centerline (Pitch)	25.4 mm[1 in]
--------------------	---------------

Usage Conditions

Operating Temperature Range	-40 – 85 °C[-40 – 185 °F]
-----------------------------	---------------------------

Operation/Application

Circuit Application	Signal
---------------------	--------

Product Compliance

[For compliance documentation, visit the product page on TE.com>](#)

EU RoHS Directive 2011/65/EU	Compliant
EU ELV Directive 2000/53/EC	Compliant
China RoHS 2 Directive MIIT Order No 32, 2016	No Restricted Materials Above Threshold
EU REACH Regulation (EC) No. 1907/2006	Current ECHA Candidate List: JUNE 2024 (241) Candidate List Declared Against: JAN 2024 (240) Does not contain REACH SVHC
Halogen Content	Low Halogen - Br, Cl, F, I < 900 ppm per homogenous material. Also BFR/CFR/PVC Free
Solder Process Capability	Not reviewed for solder process capability

Product Compliance Disclaimer

This information is provided based on reasonable inquiry of our suppliers and represents our current actual knowledge based on the information they provided. This information is subject to change. The part numbers that TE has identified as EU RoHS compliant have a maximum concentration of 0.1% by weight in homogenous materials for lead, hexavalent chromium, mercury, PBB, PBDE, DBP, BBP, DEHP, DIBP, and 0.01% for cadmium, or qualify for an exemption to these limits as defined in the Annexes of Directive 2011/65/EU (RoHS2). Finished electrical and electronic equipment products will be CE marked as required by Directive 2011/65/EU. Components may not be CE marked. Additionally, the part numbers that TE has identified as EU ELV compliant have a maximum concentration of 0.1% by weight in homogenous materials for lead, hexavalent chromium, and mercury, and 0.01% for cadmium, or qualify for an exemption to these limits as defined in the Annexes of Directive 2000/53/EC (ELV). Regarding the REACH Regulation, the information TE provides on SVHC in articles for this part number is based on the latest European Chemicals Agency (ECHA) 'Guidance on requirements for substances in articles' posted at this URL: <https://echa.europa.eu/guidance-documents/guidance-on-reach>

Compatible Parts




TE Part # 2332756-1
MT Ferrule Kit, V66.5 Rcpt, Pins, 12-F, MM



TE Part # 2332756-2
MT Ferrule Kit, V66.5 Rcpt, Pins, 24-F, MM




TE Part # 2359410-1
ASSEMBLY, HYBRID NanoRF/MT DC MODULE




TE Part # 2313388-1
Connect Kit, Plug, DC, 10 nanoRF, Trans

Also in the Series | NanoRF Optical



PCB RF Modules(7)



RF Contacts(2)

Customers Also Bought



TE Part #2102735-1
BP, Half Left End, MULTIGIG RT 2R




TE Part #2102736-1
BP, Center, MULTIGIG RT 2R



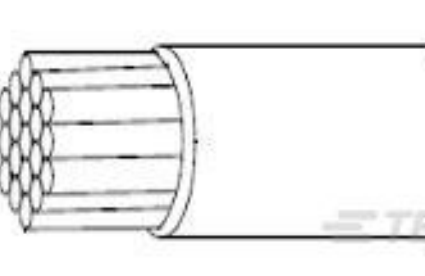
TE Part #2102737-1
BP, Right End, MULTIGIG RT 2R




TE Part #1410187-3
MULTIGIG RT T2 7RW DC DF CT



TE Part #1410946-2
MULTI-GIG SOC. CAP SCREW, CUSTOMIZED HDW



TE Part #346590-000
22759/33-30-4



TE Part #114903-000
22759/33-30-7



TE Part #3826043001
44A1121-20-0/2-9



TE Part #2313376-1
NanoRF, BP, 12 POS, 67.3 D



TE Part #ZPF000000000164169
DTS 24 W 11-99 PN 181



Documents

Product Drawings

[ASSEMBLY, HYBRID NanoRF/MT BP MODULE](#)

English

CAD Files

Customer View Model

[ENG_CVM_CVM_2313391-1_A.2d_dxf.zip](#)

English

Customer View Model

[ENG_CVM_CVM_2313391-1_A.3d_igs.zip](#)

English

Customer View Model

[ENG_CVM_CVM_2313391-1_A.3d_stp.zip](#)

English

[3D PDF](#)

3D

By downloading the CAD file I accept and agree to the [Terms and Conditions](#) of use.

Datasheets & Catalog Pages

[SOSA Aligned Interconnect Solutions](#)

English

Product Specifications

[Product Specification](#)

English

Instruction Sheets

[Instruction Sheet \(U.S.\)](#)

English