

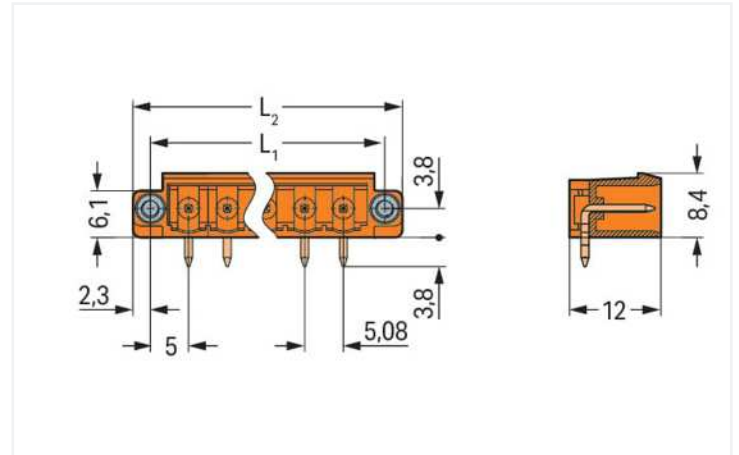
## Data Sheet | Item Number: 231-536/108-000

THT male header; 1.0 x 1.0 mm solder pin; angled; Threaded flange; Pin spacing 5.08 mm; 6-pole; orange

<https://www.wago.com/231-536/108-000>



Color: ■ orange



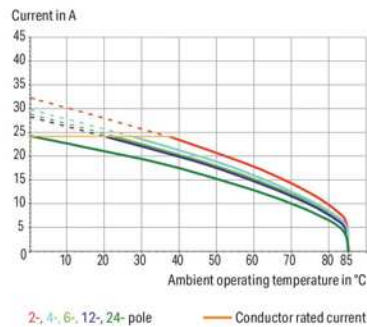
Dimensions in mm

$L1 = (\text{pole no.} \times \text{pin spacing}) + 5.4 \text{ mm}$

$L2 = (\text{pole no.} \times \text{pin spacing}) + 10 \text{ mm}$

### Derating Curve

1-conductor female connector (231-102/026-000) with  
THT male header (231-462/001-000)  
Pin spacing: 5 mm / Conductor cross-section: 2.5 mm<sup>2</sup> \*f-st\*  
Based on: EN 60512-5-2 / Reduction factor: 0.8



- Horizontal or vertical PCB mounting via straight or angled solder pins
- Pin cross-section: 1 x 1 mm
- With coding fingers

### Notes

Safety information

The MCS – MULTI CONNECTION SYSTEM includes connectors without breaking capacity in accordance with DIN EN 61984. When used as intended, these connectors must not be connected/disconnected when live or under load. When used as intended, these connectors must not be connected/disconnected when live or under load. The circuit design should ensure header pins, which can be touched, are not live when unmated.

Variants:

Other pole numbers

3.8 mm pin projection for male headers with straight solder pins

Gold-plated or partially gold-plated contact surfaces

Other versions (or variants) can be requested from WAGO Sales or configured at <https://configurator.wago.com/>.

### Electrical data

Ratings per	IEC/EN 60664-1		
Overvoltage category	III	III	II
Pollution degree	3	2	2
Nominal voltage	320 V	320 V	630 V
Rated surge voltage	4 kV	4 kV	4 kV
Rated current	12 A	12 A	12 A

Approvals per	UL 1059		
Use group	B	C	D
Rated voltage	300 V	-	300 V
Rated current	10 A	-	10 A

Approvals per	UL 1977
Rated voltage	600 V
Rated current	10 A

Approvals per	CSA		
Use group	B	C	D
Rated voltage	300 V	-	300 V
Rated current	10 A	-	10 A

### Connection data

Total number of potentials	6
Number of connection types	1
Number of levels	1

### Connection 1

Pole number	6
-------------	---

### Physical data

Pin spacing	5.08 mm / 0.2 inches
Width	40.48 mm / 1.594 inches
Height	12.2 mm / 0.48 inches
Height from the surface	8.4 mm / 0.331 inches
Depth	12 mm / 0.472 inches
Solder pin length	3.8 mm
Solder pin dimensions	1 x 1 mm
Drilled hole diameter with tolerance	1.4 <sup>(+0.1)</sup> mm

### Mechanical data

Variable coding	Yes
Anti-rotation protection	Yes

### Plug-in connection

Contact type (pluggable connector)	Male connector/plug
Connector (connection type)	for PCB
Mismating protection	No
Mating direction to the PCB	0°
Locking of plug-in connection	Threaded flange

### PCB contact

PCB contact	THT
Solder pin arrangement	over the entire male connector (in-line)
Number of solder pins per potential	1

### Material data

Note (material data)	<a href="https://www.wago.com/us/material-specifications" href="_blank">Information on material specifications can be found here</a>
Color	orange
Material group	I
Insulation material	Polyamide (PA66)
Flammability class per UL94	V0
Contact material	Electrolytic copper (E <sub>Cu</sub> )
Contact plating	Tin
Fire load	0.048 MJ
Weight	2.7 g

### Environmental requirements

Limit temperature range	-60 ... +100 °C
Processing temperature	-35 ... +60 °C

### Commercial data

Product Group	3 (Multi Conn. System)
eCl@ss 10.0	27-44-04-02
eCl@ss 9.0	27-44-04-02
ETIM 8.0	EC002637
ETIM 7.0	EC002637
PU (SPU)	100 pcs
Packaging type	Box
Country of origin	PL
GTIN	4044918867023
Customs tariff number	85366930000

### Environmental Product Compliance

CAS-No.	7439-92-1
REACH Candidate List Substance	Lead
RoHS Compliance Status	Compliant,With Exemption
RoHS Exemption	6(c)
SCIP notification number (Austria)	f037a44a-29db-49dd-84e7-cd9254e8c55c
SCIP notification number (Belgium)	91fdf483-48ef-446e-964f-c76edce09688
SCIP notification number (Bulgaria)	a3bdfb9d-9c0d-4114-bcb2-38e69fcada30
SCIP notification number (Czech Republic)	946436fd-f009-494a-8393-811bc3cf7253
SCIP notification number (Denmark)	f6ca38de-6cd4-44ac-9569-39a961673700
SCIP notification number (Finland)	d7364a5a-e715-4ee3-80f1-a4ef304c5061
SCIP notification number (France)	61e76497-bd45-4303-abe7-cbd500693940
SCIP notification number (Germany)	4e807352-f8a7-4a93-a9ee-71d15ed5b45c
SCIP notification number (Hungary)	7ae28442-3579-4530-8b21-36784bc1e393
SCIP notification number (Italy)	5943821b-0b7a-4758-850e-e0b7682d9607
SCIP notification number (Netherlands)	173465a9-ef39-4282-b54d-e75ec9c7d9f1
SCIP notification number (Poland)	f6d69999-354b-49e0-87d5-218e675caa61
SCIP notification number (Romania)	7de1ddd6-0877-407e-8337-05a74cbc31ab
SCIP notification number (Sweden)	d495d035-b268-4c5b-8117-7a12d82a054b

### Approvals / Certificates

General approvals



Approval	Standard	Certificate Name
CB DEKRA Certification B.V.	IEC 61984	NL-39756/A1
CSA DEKRA Certification B.V.	C22.2	1466354
KEMA/KEUR DEKRA Certification B.V.	EN 61984	71-121453
UL UL International Germany GmbH	UL 1977	E45171
UR Underwriters Laboratories Inc.	UL 1059	E45172

Declarations of conformity and manufacturer's declarations



Approval	Standard	Certificate Name
Railway WAGO GmbH & Co. KG	-	Railway Ready

Approvals for marine applications



Approval	Standard	Certificate Name
BV Bureau Veritas S.A.	IEC 60998	11915/D0 BV

Downloads

Environmental Product Compliance

Compliance Search
Environmental Product Compliance 231-536/108-000 <a href="#">↓</a>

Documentation

Additional Information			
Technical Section	03.04.2019	pdf 2010.85 KB	<a href="#">↓</a>

CAD/CAE-Data

CAD data
2D/3D Models 231-536/108-000 <a href="#">↓</a>

CAE data
EPLAN Data Portal 231-536/108-000 <a href="#">↓</a>

ZUKEN Portal 231-536/108-000 <a href="#">↓</a>
---

1 Compatible Products

1.1 System counterpart

### 1.1.1 Female connector/socket



**Item No.:** [231-306/107-000](#)

1-conductor female connector; CAGE CLAMP®; 2.5 mm<sup>2</sup>; Pin spacing 5.08 mm; 6-pole; Screw flange; 2,50 mm<sup>2</sup>; orange

**Item No.:** [2231-306/107-000](#)

1-conductor female connector; push-button; Push-in CAGE CLAMP®; 2.5 mm<sup>2</sup>; Pin spacing 5.08 mm; 6-pole; Screw flange; 2,50 mm<sup>2</sup>; orange

**Item No.:** [231-2306/107-000](#)

2-conductor female connector; Push-in CAGE CLAMP®; 2.5 mm<sup>2</sup>; Pin spacing 5.08 mm; 6-pole; Screw flange; 2,50 mm<sup>2</sup>; orange

### 1.2 Optional Accessories

#### 1.2.1 Coding

##### 1.2.1.1 Coding



**Item No.:** [231-129](#)

Coding key; snap-on type; light gray

##### 1.2.1.2 Intermediate plate



**Item No.:** [231-500](#)

Spacer; for formation of groups; light gray

### Installation Notes

#### Coding



Coding a male header – fitting coding key(s).