

Data Sheet | Item Number: 231-534/108-000

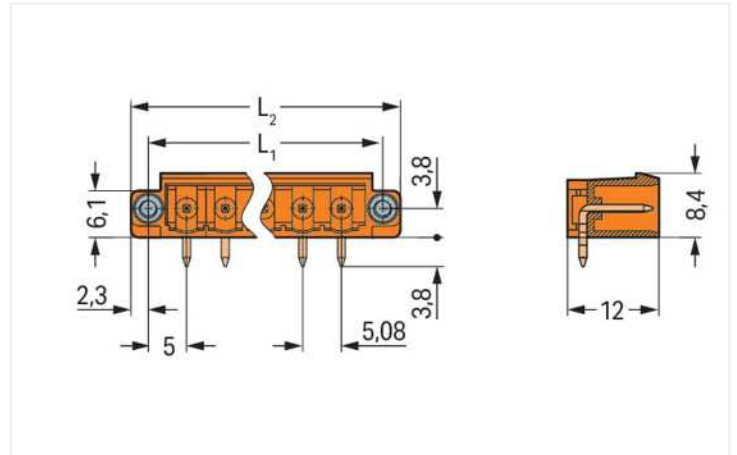
THT male header; 1.0 x 1.0 mm solder pin; angled; Threaded flange; Pin spacing 5.08 mm; 4-pole; orange

<https://www.wago.com/231-534/108-000>



Color: ■ orange

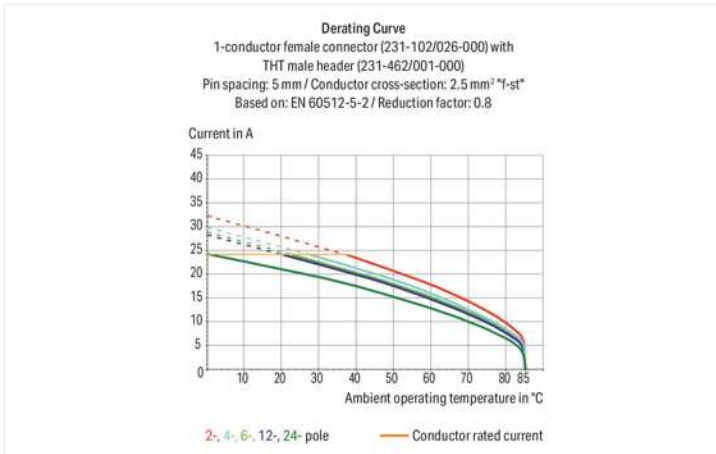
Similar to illustration



Dimensions in mm

$L1 = (\text{pole no.} \times \text{pin spacing}) + 5.4 \text{ mm}$

$L2 = (\text{pole no.} \times \text{pin spacing}) + 10 \text{ mm}$



- Horizontal or vertical PCB mounting via straight or angled solder pins
- Pin cross-section: 1 x 1 mm
- With coding fingers

Notes

Safety information

The MCS – MULTI CONNECTION SYSTEM includes connectors without breaking capacity in accordance with DIN EN 61984. When used as intended, these connectors must not be connected/disconnected when live or under load. When used as intended, these connectors must not be connected/disconnected when live or under load. The circuit design should ensure header pins, which can be touched, are not live when unmated.

Variants:

Other pole numbers

3.8 mm pin projection for male headers with straight solder pins

Gold-plated or partially gold-plated contact surfaces

Other versions (or variants) can be requested from WAGO Sales or configured at <https://configurator.wago.com/>.

Electrical data

Ratings per	IEC/EN 60664-1		
Overvoltage category	III	III	II
Pollution degree	3	2	2
Nominal voltage	320 V	320 V	630 V
Rated surge voltage	4 kV	4 kV	4 kV
Rated current	12 A	12 A	12 A

Approvals per	UL 1059		
Use group	B	C	D
Rated voltage	300 V	-	300 V
Rated current	10 A	-	10 A

Approvals per	UL 1977
Rated voltage	600 V
Rated current	10 A

Approvals per	CSA		
Use group	B	C	D
Rated voltage	300 V	-	300 V
Rated current	10 A	-	10 A

Connection data

Total number of potentials	4
Number of connection types	1
Number of levels	1

Connection 1

Pole number	4
-------------	---

Physical data

Pin spacing	5.08 mm / 0.2 inches
Width	30.32 mm / 1.194 inches
Height	12.2 mm / 0.48 inches
Height from the surface	8.4 mm / 0.331 inches
Depth	12 mm / 0.472 inches
Solder pin length	3.8 mm
Solder pin dimensions	1 x 1 mm
Drilled hole diameter with tolerance	1.4 ^(+0.1) mm

Mechanical data

Variable coding	Yes
Anti-rotation protection	Yes

Plug-in connection

Contact type (pluggable connector)	Male connector/plug
Connector (connection type)	for PCB
Mismatching protection	No
Mating direction to the PCB	0°
Locking of plug-in connection	Threaded flange

PCB contact

PCB contact	THT
Solder pin arrangement	over the entire male connector (in-line)
Number of solder pins per potential	1

Material data

Note (material data)	Information on material specifications can be found here
Color	orange
Material group	I
Insulation material	Polyamide (PA66)
Flammability class per UL94	V0
Contact material	Electrolytic copper (E _{Cu})
Contact plating	Tin
Fire load	0.037 MJ
Weight	2.1 g

Environmental requirements

Limit temperature range	-60 ... +100 °C
Processing temperature	-35 ... +60 °C

Commercial data

Product Group	3 (Multi Conn. System)
eCl@ss 10.0	27-44-04-02
eCl@ss 9.0	27-44-04-02
ETIM 8.0	EC002637
ETIM 7.0	EC002637
PU (SPU)	100 pcs
Packaging type	Box
Country of origin	PL
GTIN	4044918866897
Customs tariff number	85366930000

Environmental Product Compliance

CAS-No.	7439-92-1
REACH Candidate List Substance	Lead
RoHS Compliance Status	Compliant,With Exemption
RoHS Exemption	6(c)
SCIP notification number (Austria)	597250ff-fc92-44d9-8e7d-da927426ac71
SCIP notification number (Belgium)	754e9475-a574-417a-9276-839130b3b96f
SCIP notification number (Bulgaria)	a5d5dccf-0737-47ef-a23d-546b5ad9f837
SCIP notification number (Czech Republic)	54cd9ccd-7d2a-4119-8e0c-354d36d7231d
SCIP notification number (Denmark)	013159cc-cbba-40f1-8f34-a8127275fe4c
SCIP notification number (Finland)	a9c332a1-d818-43e3-9000-e4b49f8dc5de
SCIP notification number (France)	8a3bf1de-ffcd-4987-9d95-a8a5f21c3fda
SCIP notification number (Germany)	5a3be502-f2d7-4084-98d2-c25391102a67
SCIP notification number (Hungary)	7407f110-7a1a-4206-98cc-996898243f33
SCIP notification number (Italy)	f9f51524-d15d-4f2c-9274-530afc08c9dc
SCIP notification number (Netherlands)	2f1fe670-0c73-48f0-bd59-d80c7598507f
SCIP notification number (Poland)	8033ef3d-1ac2-43ec-bcf4-ff2e8b7b7805
SCIP notification number (Romania)	5612def3-c73e-4b6c-8db3-018d949ca430
SCIP notification number (Sweden)	fa070950-3906-462b-9f9c-83cc84064d69

Approvals / Certificates

General approvals



Approval	Standard	Certificate Name
CB DEKRA Certification B.V.	IEC 61984	NL-39756/A1
CSA DEKRA Certification B.V.	C22.2	1466354
KEMA/KEUR DEKRA Certification B.V.	EN 61984	71-121453
UL UL International Germany GmbH	UL 1977	E45171
UR Underwriters Laboratories Inc.	UL 1059	E45172

Declarations of conformity and manufacturer's declarations



Approval	Standard	Certificate Name
Railway WAGO GmbH & Co. KG	-	Railway Ready

Approvals for marine applications



Approval	Standard	Certificate Name
BV Bureau Veritas S.A.	IEC 60998	11915/D0 BV

Downloads

Environmental Product Compliance

Compliance Search

Environmental Product
Compliance
231-534/108-000



Documentation

Additional Information

Technical Section

03.04.2019

pdf
2010.85 KB



CAD/CAE-Data

CAD data

2D/3D Models
231-534/108-000



CAE data

EPLAN Data Portal
231-534/108-000



ZUKEN Portal
231-534/108-000



1 Compatible Products

1.1 System counterpart

1.1.1 Female connector/socket



Item No.: 231-304/107-000

1-conductor female connector; CAGE CLAMP®; 2.5 mm²; Pin spacing 5.08 mm; 4-pole; Screw flange; 2,50 mm²; orange



Item No.: 2231-304/107-000

1-conductor female connector; push-button; Push-in CAGE CLAMP®; 2.5 mm²; Pin spacing 5.08 mm; 4-pole; Screw flange; 2,50 mm²; orange



Item No.: 231-2303/107-000

2-conductor female connector; Push-in CAGE CLAMP®; 2.5 mm²; Pin spacing 5.08 mm; 3-pole; Screw flange; 2,50 mm²; orange

1.2 Optional Accessories

1.2.1 Coding

1.2.1.1 Coding



Item No.: 231-129

Coding key; snap-on type; light gray

1.2.1.2 Intermediate plate



Item No.: 231-500

Spacer; for formation of groups; light gray

Installation Notes

Coding



Coding a male header – fitting coding key(s).