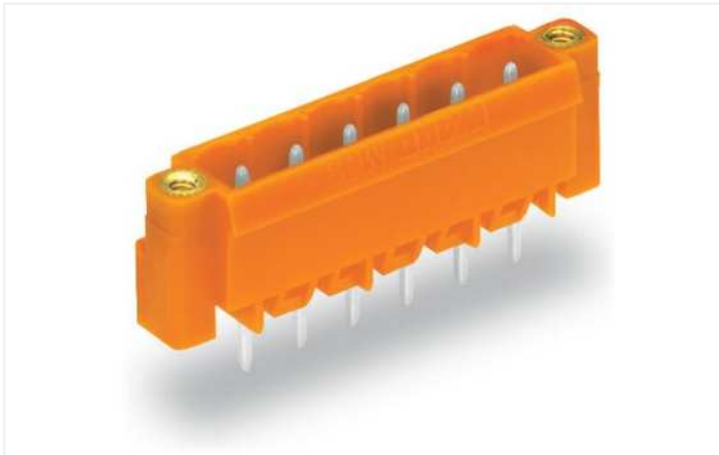


Data Sheet | Item Number: 231-368/108-000

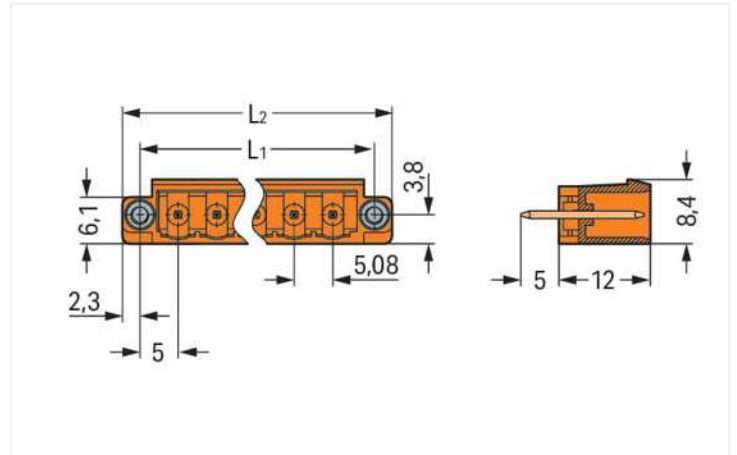
THT male header; 1.2 x 1.2 mm solder pin; straight; Threaded flange; Pin spacing 5.08 mm; 8-pole; orange

<https://www.wago.com/231-368/108-000>



Color: ■ orange

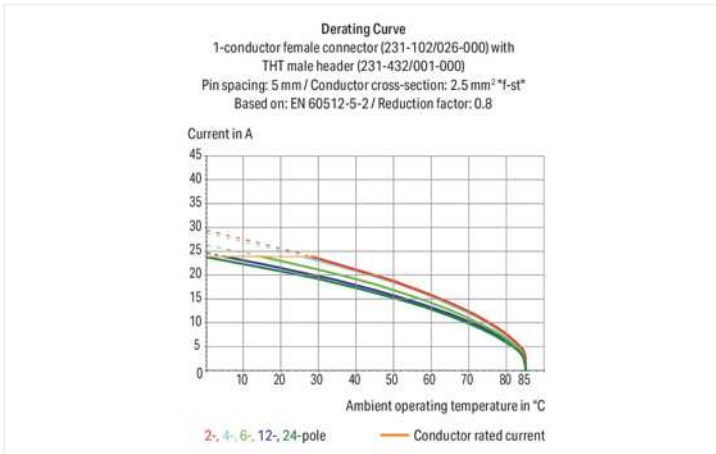
Similar to illustration



Dimensions in mm

$L1 = (\text{pole no.} \times \text{pin spacing}) + 5.4 \text{ mm}$

$L2 = (\text{pole no.} \times \text{pin spacing}) + 10 \text{ mm}$



- Horizontal or vertical PCB mounting via straight or angled solder pins
- 1.2 x 1.2 mm solder pins allow nominal current up to 16 A, enhancing stability of shorter headers
- With coding fingers

Notes

Safety information

The MCS – MULTI CONNECTION SYSTEM includes connectors without breaking capacity in accordance with DIN EN 61984. When used as intended, these connectors must not be connected/disconnected when live or under load. When used as intended, these connectors must not be connected/disconnected when live or under load. The circuit design should ensure header pins, which can be touched, are not live when unmated.

Variants:

Other pole numbers

3.8 mm pin projection for male headers with straight solder pins

Gold-plated or partially gold-plated contact surfaces

Other versions (or variants) can be requested from WAGO Sales or configured at <https://configurator.wago.com/>.

Electrical data

| Ratings per | IEC/EN 60664-1 | | |
|----------------------|----------------|-------|-------|
| Overvoltage category | III | III | II |
| Pollution degree | 3 | 2 | 2 |
| Nominal voltage | 250 V | 320 V | 630 V |
| Rated surge voltage | 4 kV | 4 kV | 4 kV |
| Rated current | 16 A | 16 A | 16 A |

| Approvals per | UL 1059 | | |
|---------------|---------|---|-------|
| Use group | B | C | D |
| Rated voltage | 300 V | - | 300 V |
| Rated current | 15 A | - | 10 A |

| Approvals per | UL 1977 |
|---------------|---------|
| Rated voltage | 600 V |
| Rated current | 15 A |

| Approvals per | CSA | | |
|---------------|-------|---|-------|
| Use group | B | C | D |
| Rated voltage | 300 V | - | 300 V |
| Rated current | 15 A | - | 10 A |

Connection data

| | |
|----------------------------|---|
| Total number of potentials | 8 |
| Number of connection types | 1 |
| Number of levels | 1 |

Connection 1

| | |
|-------------|---|
| Pole number | 8 |
|-------------|---|

Physical data

| | |
|--------------------------------------|--------------------------|
| Pin spacing | 5.08 mm / 0.2 inches |
| Width | 50.64 mm / 1.994 inches |
| Height | 17 mm / 0.669 inches |
| Height from the surface | 12 mm / 0.472 inches |
| Depth | 8.4 mm / 0.331 inches |
| Solder pin length | 5 mm |
| Solder pin dimensions | 1.2 x 1.2 mm |
| Drilled hole diameter with tolerance | 1.7 ^(+0.1) mm |

Mechanical data

| | |
|--------------------------|-----|
| Variable coding | Yes |
| Anti-rotation protection | Yes |

Plug-in connection

| | |
|------------------------------------|---------------------|
| Contact type (pluggable connector) | Male connector/plug |
| Connector (connection type) | for PCB |
| Mismatching protection | No |
| Mating direction to the PCB | 90 ° |
| Locking of plug-in connection | Threaded flange |

PCB contact

| | |
|-------------------------------------|--|
| PCB contact | THT |
| Solder pin arrangement | over the entire male connector (in-line) |
| Number of solder pins per potential | 1 |

Material data

| | |
|-----------------------------|--|
| Note (material data) | Information on material specifications can be found here |
| Color | orange |
| Material group | I |
| Insulation material | Polyamide (PA66) |
| Flammability class per UL94 | V0 |
| Contact material | Electrolytic copper (E _{Cu}) |
| Contact plating | Tin |
| Fire load | 0.058 MJ |
| Weight | 3.8 g |

Environmental requirements

| | |
|-------------------------|-----------------|
| Limit temperature range | -60 ... +100 °C |
| Processing temperature | -35 ... +60 °C |

Commercial data

| | |
|-----------------------|------------------------|
| Product Group | 3 (Multi Conn. System) |
| eCl@ss 10.0 | 27-44-04-02 |
| eCl@ss 9.0 | 27-44-04-02 |
| ETIM 8.0 | EC002637 |
| ETIM 7.0 | EC002637 |
| PU (SPU) | 100 pcs |
| Packaging type | Box |
| Country of origin | PL |
| GTIN | 4045454845681 |
| Customs tariff number | 85366930000 |

Environmental Product Compliance

| | |
|---|--------------------------------------|
| CAS-No. | 7439-92-1 |
| REACH Candidate List Substance | Lead |
| RoHS Compliance Status | Compliant,With Exemption |
| RoHS Exemption | 6(c) |
| SCIP notification number (Austria) | e76ac587-87cd-4ce6-98c3-893a01d03e9a |
| SCIP notification number (Belgium) | b2483a05-4739-4da3-9223-ca34aa4257e7 |
| SCIP notification number (Bulgaria) | 59c28e3d-8b69-479c-8eae-19bcc447e201 |
| SCIP notification number (Czech Republic) | 47bc920f-b5be-4d55-9fc6-617661537e0b |
| SCIP notification number (Denmark) | 9ed52ce7-1b9d-48d0-a8b0-cededd99f03a |
| SCIP notification number (Finland) | f285532b-9be7-44e3-8ebf-838336f595f8 |
| SCIP notification number (France) | 7316b1c4-a2a1-4e54-85af-0e902dba0075 |
| SCIP notification number (Germany) | 21df71bd-2b3d-4382-937e-7d7834811c9b |
| SCIP notification number (Hungary) | 1dec31ae-0ac3-41bb-a90d-a8a07ffa6dd0 |
| SCIP notification number (Italy) | d11b8b11-f13c-44db-a5a2-bcab880a22f9 |
| SCIP notification number (Netherlands) | a66e83b5-0932-42fc-adf7-4dbeb74ccf8a |
| SCIP notification number (Poland) | 38eb7ade-1509-4c17-a283-28d07c51c993 |
| SCIP notification number (Romania) | 72498ef6-dfdd-4c69-8b25-9b114efceb3c |
| SCIP notification number (Sweden) | 14309ed3-5ae5-42fa-9bd3-93d0abde1f99 |

Approvals / Certificates

General approvals



| Approval | Standard | Certificate Name |
|---------------------------------------|-----------|------------------|
| CB DEKRA Certification B.V. | IEC 61984 | NL-39756/A1 |
| CSA DEKRA Certification B.V. | C22.2 | 1466354 |
| KEMA/KEUR DEKRA Certification B.V. | EN 61984 | 71-121453 |
| UR Underwriters Laboratories Inc. | UL 1059 | E45172 |

Declarations of conformity and manufacturer's declarations



| Approval | Standard | Certificate Name |
|-------------------------------|----------|------------------|
| Railway WAGO GmbH & Co. KG | - | Railway Ready |

Downloads

Environmental Product Compliance

| Compliance Search |
|---|
| Environmental Product Compliance 231-368/108-000 |

Documentation

| Additional Information |
|---|
| Technical Section 03.04.2019 pdf 1949.09 KB |

CAD/CAE-Data

| CAD data |
|---------------------------------|
| 2D/3D Models 231-368/108-000 |

| CAE data |
|---------------------------------|
| ZUKEN Portal 231-368/108-000 |

1 Compatible Products

1.1 System counterpart

1.1.1 Female connector/socket



[Item No.: 231-308/107-000](#)
 1-conductor female connector; CAGE CLAMP®; 2.5 mm²; Pin spacing 5.08 mm; 8-pole; Screw flange; 2,50 mm²; orange

1.2 Optional Accessories

1.2.1 Coding

1.2.1.1 Coding



Item No.: 231-129

Coding key; snap-on type; light gray

1.2.1.2 Intermediate plate



Item No.: 231-500

Spacer; for formation of groups; light gray

Installation Notes

Coding



Coding a male header – fitting coding key (s).