

2309873-1 ✓ ACTIVE

NanoMQS

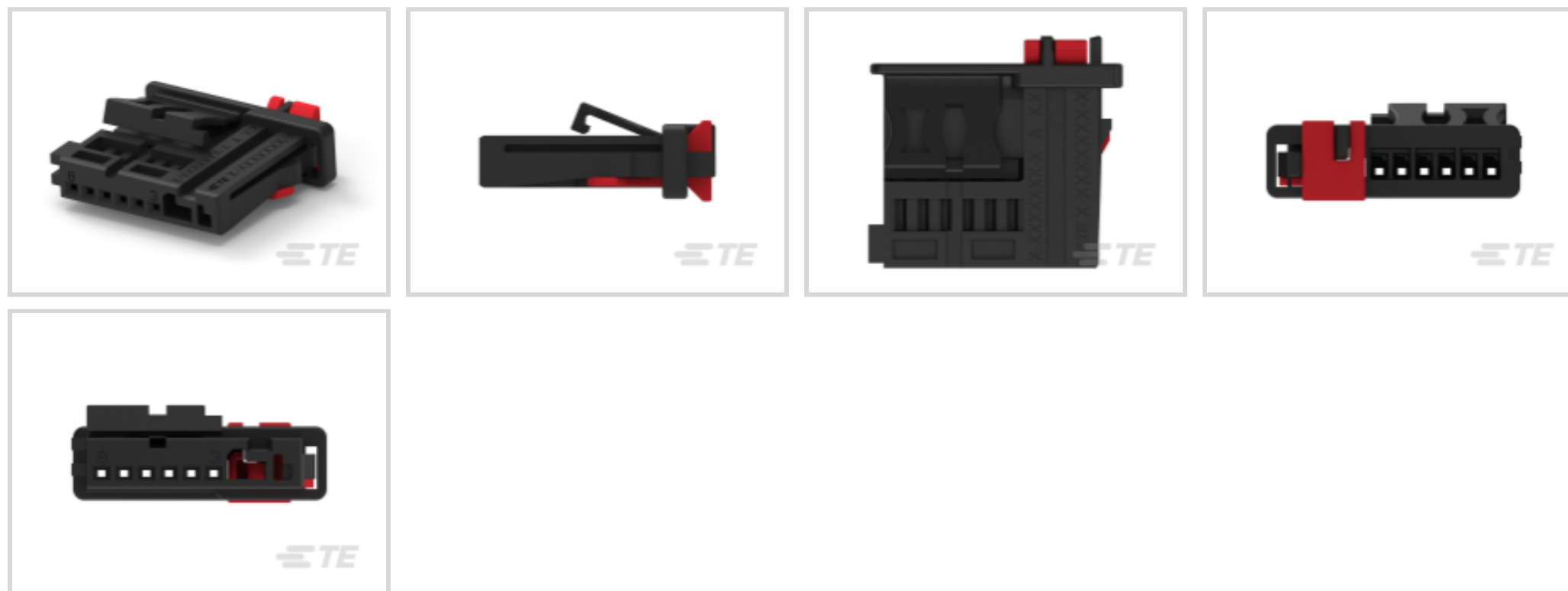
TE Internal #: 2309873-1

Housing for Female Terminals, Wire-to-Wire / Wire-to-Board, 6 Position, .071 in [1.8 mm] Centerline, Black, Wire & Cable, Signal

[View on TE.com >](#)



Connectors > Automotive Connectors > Automotive Housings



Connector System: **Wire-to-Board, Wire-to-Wire**

Number of Positions: **6**

Connector & Housing Type: **Housing for Female Terminals**

Centerline (Pitch): **1.8 mm [.071 in]**

Sealable: **No**

Features

Product Type Features

Mixed & Hybrid Connector	No
Connector Shape	Rectangular
Connector System	Wire-to-Board, Wire-to-Wire
Connector & Housing Type	Housing for Female Terminals
Sealable	No
Connector & Contact Terminates To	Wire & Cable
Primary Locking Feature	On the Terminal

Configuration Features

Number of Positions	6
Number of Rows	1

Electrical Characteristics

Nominal Voltage Architecture	12 V, 24 V
------------------------------	------------

Body Features

Primary Product Color	Black
-----------------------	-------



Connector & Keying Code	A
-------------------------	---

Contact Features

Contact Size	.5mm
Contact Type	Receptacle
Mating Tab Width	.5 mm [.02 in]
Contact Current Rating (Max)	3 A

Mechanical Attachment

Mating Alignment Type	Keyed
Mating Alignment	With
Connector Mounting Type	Cable Mount (Free-Hanging)

Housing Features

Centerline (Pitch)	1.8 mm [.071 in]
--------------------	------------------

Usage Conditions

Operating Temperature (Max)	105 °C [221 °F]
Operating Temperature Range	-40 – 105 °C [-40 – 221 °F]

Operation/Application

Circuit Application	Signal
---------------------	--------

Other

Connector Position Assurance Capable	Yes
--------------------------------------	-----

Product Compliance

[For compliance documentation, visit the product page on TE.com>](#)

EU RoHS Directive 2011/65/EU	Compliant
EU ELV Directive 2000/53/EC	Compliant
China RoHS 2 Directive MIIT Order No 32, 2016	No Restricted Materials Above Threshold
EU REACH Regulation (EC) No. 1907/2006	Current ECHA Candidate List: JUNE 2024 (241) Candidate List Declared Against: JAN 2024 (240) Does not contain REACH SVHC
Halogen Content	BFR/CFR/PVC Free, but Br/Cl >900 ppm in other sources.
Solder Process Capability	Not reviewed for solder process capability



Product Compliance Disclaimer

This information is provided based on reasonable inquiry of our suppliers and represents our current actual knowledge based on the information they provided. This information is subject to change. The part numbers that TE has identified as EU RoHS compliant have a maximum concentration of 0.1% by weight in homogenous materials for lead, hexavalent chromium, mercury, PBB, PBDE, DBP, BBP, DEHP, DIBP, and 0.01% for cadmium, or qualify for an exemption to these limits as defined in the Annexes of Directive 2011/65/EU (RoHS2). Finished electrical and electronic equipment products will be CE marked as required by Directive 2011/65/EU. Components may not be CE marked. Additionally, the part numbers that TE has identified as EU ELV compliant have a maximum concentration of 0.1% by weight in homogenous materials for lead, hexavalent chromium, and mercury, and 0.01% for cadmium, or qualify for an exemption to these limits as defined in the Annexes of Directive 2000/53/EC (ELV). Regarding the REACH Regulation, the information TE provides on SVHC in articles for this part number is based on the latest European Chemicals Agency (ECHA) 'Guidance on requirements for substances in articles' posted at this URL: <https://echa.europa.eu/guidance-documents/guidance-on-reach>

Compatible Parts




TE Part # CAT-M8793-T273
MQS, RECEPTACLE AND TAB



TE Part # 2311396-1
8POS,TAB0.5X0.4,HDR ASSY,180DEG, COD A

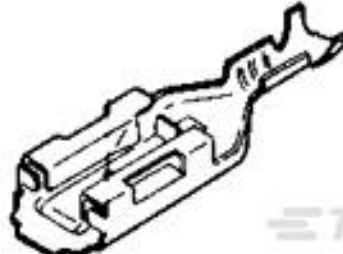


TE Part # 2315411-1
8POS,TAB0.5X0.4,HDR ASSY,90DEG, COD A



TE Part # 2394812-1
8POS,TAB0.5X0.4,HDR ASSY,180DEG, COD A

Customers Also Bought



TE Part #170452-1
PL 250 AM REC 22-20 AWG 0.406 X 21 BR



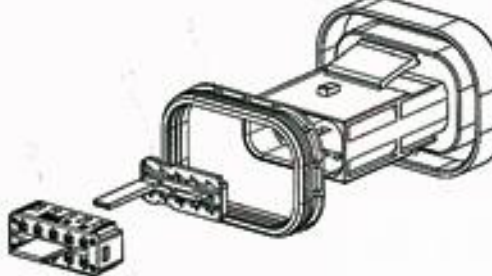
TE Part #1746864-2
0.64III/2.3II 24POS PLUG ASSY



TE Part #1418603-2
3POS MQS REC SEALED COD B




TE Part #4-1924067-1
2POS, MCON 1.2 CB REC 2p TL SEALED




TE Part #1801610-1
BULK HEAD, MCON, 10W, CLIPPED



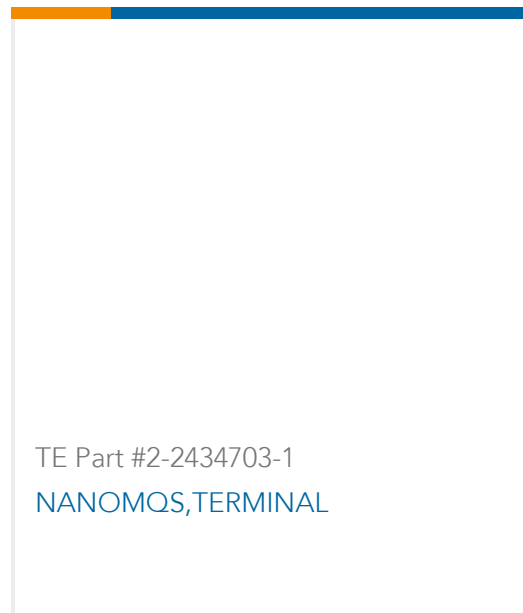
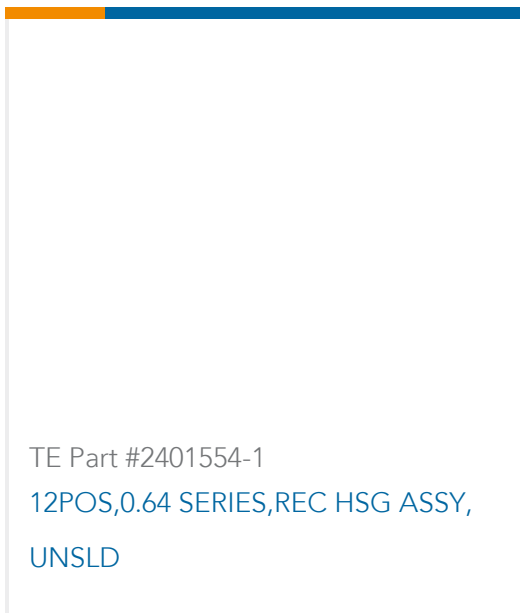
TE Part #2405887-1
0.5 SERIES,TERMINAL,0.13-0.22MM2, SN



TE Part #2408711-1
2POS,CSJ1800,HDR ASSY,COD A



TE Part #2428586-2
2POS,CSJ1800,HDR ASSY,COD B



Documents

Product Drawings

[6POS,NANOMQS,REC HSG ASSY,COD A](#)

English

[6POS,NANOMQS,REC HSG ASSY,COD A](#)

English

[6POS,NANOMQS,REC HSG ASSY,COD A](#)

English

CAD Files

[3D PDF](#)

3D

Customer View Model

[ENG_CVM_CVM_2309873-1_A.2d_dxf.zip](#)

English

Customer View Model

[ENG_CVM_CVM_2309873-1_A.3d_igs.zip](#)

English

Customer View Model

[ENG_CVM_CVM_2309873-1_A.3d_stp.zip](#)

English

By downloading the CAD file I accept and agree to the [Terms and Conditions](#) of use.

Product Specifications

[Application Specification](#)

English