

Universal current transducer - MCR-SL-CUC-200-I



2308030

<https://www.phoenixcontact.com/us/products/2308030>

Please be informed that the data shown in this PDF document is generated from our Online Catalog. Please find the complete data in the user documentation. Our General Terms of Use for Downloads are valid.



Universal current transducer, for measuring AC, DC, and distorted currents, 0 ... 200 A input current, 4 ... 20 mA output

Your advantages

- Variable mounting on DIN rail and mounting plate
- Simple connection technology thanks to COMBICON plug-in connection terminal blocks
- Compact dimensions also enable distributed use
- Universal current measurement, no shunt required
- 3-way isolation

Commercial Data

Item number	2308030
Packing unit	1 pc
Minimum order quantity	1 pc
Sales Key	C04
Product Key	CK4A31
Catalog Page	Page 229 (C-5-2019)
GTIN	4046356434058
Weight per Piece (including packing)	295.3 g
Weight per Piece (excluding packing)	293.6 g
Customs tariff number	90303370
Country of origin	CN

Technical Data

Product properties

Product type	Current transducer
Insulation characteristics	
Overvoltage category	III
Pollution degree	2

Electrical properties

Linearity error	<± 1 % (From the range end value)
Maximum power dissipation for nominal condition	1 W
Step response (10-90%)	150 ms
Temperature coefficient, typical	0.02 %/K (0 °C ... 60 °C)
	0.04 %/K (-40 °C ... 65 °C)
Maximum transmission error	<± 1 % (of final value)
Rated insulation voltage	300 V AC

Electrical isolation Input/output

Test voltage	3.5 kV AC (50 Hz, 60 s)
--------------	-------------------------

Electrical isolation Input/power supply

Test voltage	3.5 kV AC (50 Hz, 60 s)
--------------	-------------------------

General

Accuracy class	1
----------------	---

Supply

Nominal supply voltage	24 V DC
Supply voltage range	20 V DC ... 30 V DC
Max. current consumption	(30 + I _{OUT}) mA
Power consumption	1.65 W

Input data

Measurement

Number of inputs	1
Input current range	0 A AC/DC ... 200 A AC/DC
Overload capacity	3 x I _{IN}
Frequency measuring range	20 Hz ... 6000 Hz (0 Hz)
Curve type	AC, DC or distorted currents

Current transformers

Rated frequency: Standard converter	20 Hz ... 6000 Hz
Primary rated current I _{pn}	200 A
Accuracy class	1

Universal current transducer - MCR-SL-CUC-200-I



2308030

<https://www.phoenixcontact.com/us/products/2308030>

Output data

Signal: Current

Current output signal	4 mA ... 20 mA
Max. current output signal	< 25 mA
Load/output load current output	< 300 Ω

Connection data

Connection method	Push-in connection
Stripping length	10 mm
Conductor cross section solid	0.25 mm ² ... 2.5 mm ²
Conductor cross section flexible	0.2 mm ² ... 2.5 mm ²
Conductor cross section AWG	24 ... 12

Dimensions

Item dimensions

Width	90 mm
Height	33.8 mm
Depth	85 mm

Circular conductor

Diameter	32 mm
----------	-------

Material specifications

Housing material	Frianyl B63 V0 GV30
------------------	---------------------

Environmental and real-life conditions

Ambient conditions

Degree of protection	IP20
Ambient temperature (operation)	-40 °C ... 65 °C
Ambient temperature (storage/transport)	-40 °C ... 85 °C

Approval data

CE

Certificate	CE-compliant
-------------	--------------

UKCA

Certificate	UKCA-compliant
-------------	----------------

UL, USA / Canada

Identification	UL/C-UL Listed UL 508
----------------	-----------------------

EMC data

Noise emission	EN 61000-6-4
----------------	--------------

Universal current transducer - MCR-SL-CUC-200-I



2308030

<https://www.phoenixcontact.com/us/products/2308030>

Noise immunity	EN 61000-6-2
----------------	--------------

Mounting

Mounting type	DIN rail mounting
---------------	-------------------

Universal current transducer - MCR-SL-CUC-200-I

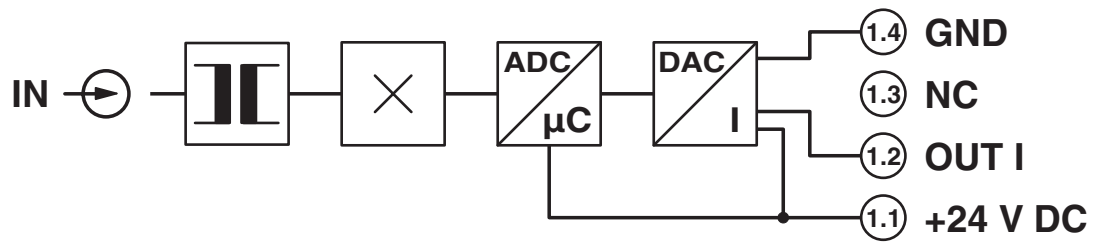


2308030

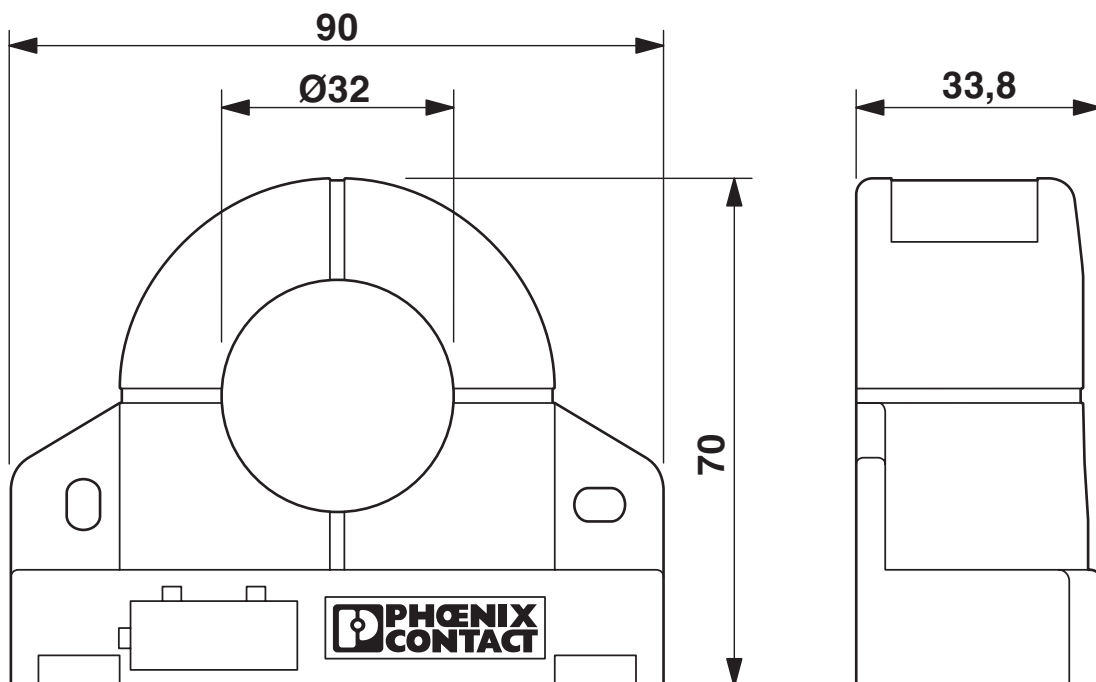
<https://www.phoenixcontact.com/us/products/2308030>

Drawings

Circuit diagram



Dimensional drawing



Universal current transducer - MCR-SL-CUC-200-I

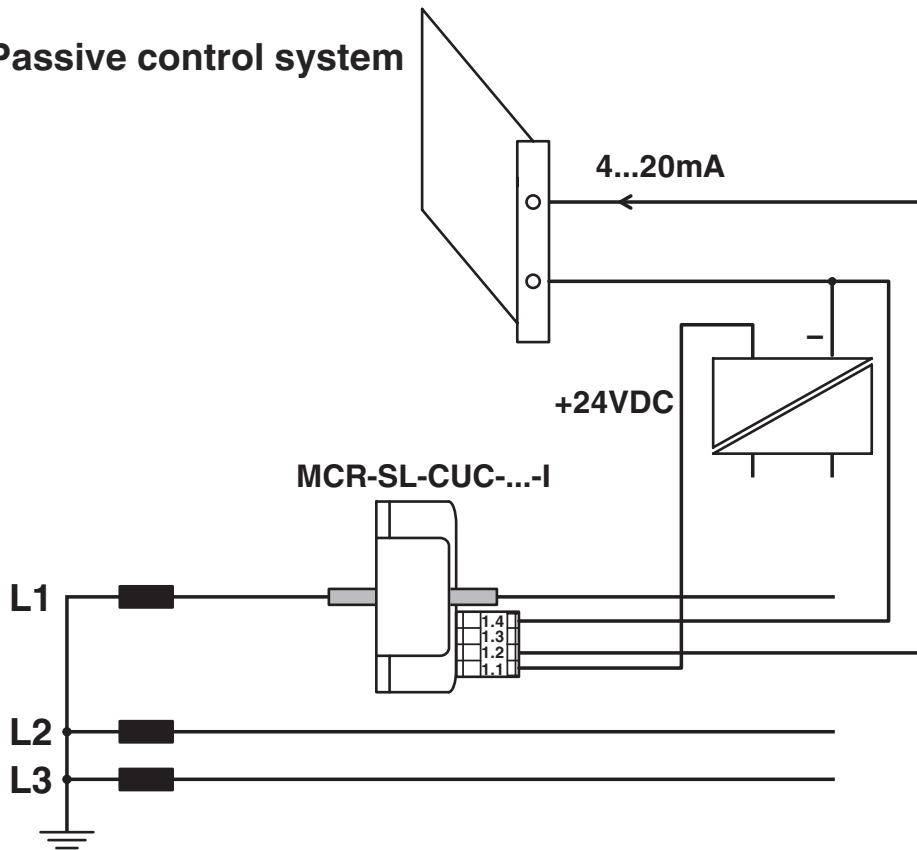


2308030

<https://www.phoenixcontact.com/us/products/2308030>

Application drawing

Passive control system



Current monitoring

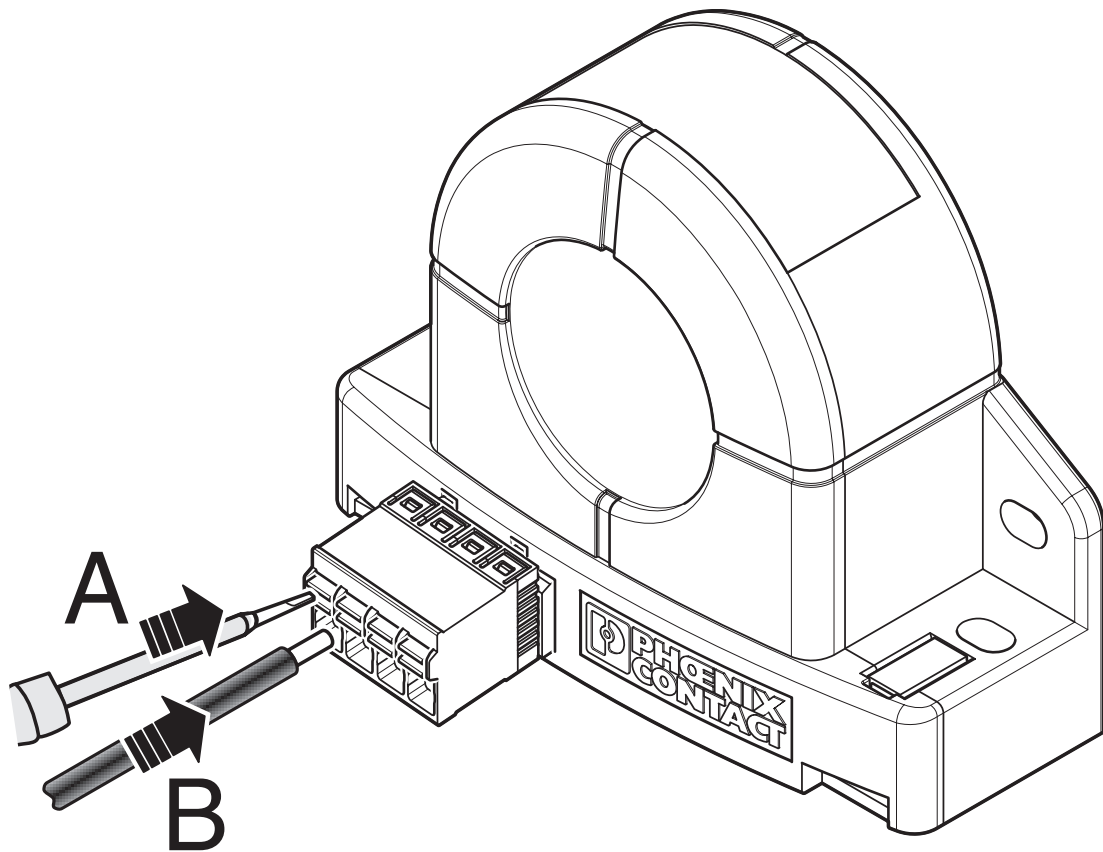
Universal current transducer - MCR-SL-CUC-200-I



2308030

<https://www.phoenixcontact.com/us/products/2308030>

Schematic diagram



Universal current transducer - MCR-SL-CUC-200-I



2308030

<https://www.phoenixcontact.com/us/products/2308030>

Approvals



EAC

Approval ID: RU*DE.*08.B.01852-19



UL Listed

Approval ID: FILE E 123528



cUL Listed

Approval ID: FILE E 123528

cULus Listed

Universal current transducer - MCR-SL-CUC-200-I



2308030

<https://www.phoenixcontact.com/us/products/2308030>

Classifications

ECLASS

ECLASS-9.0	27210123
ECLASS-10.0.1	27210123
ECLASS-11.0	27210123

ETIM

ETIM 8.0	EC002475
----------	----------

UNSPSC

UNSPSC 21.0	39121000
-------------	----------

Universal current transducer - MCR-SL-CUC-200-I



2308030

<https://www.phoenixcontact.com/us/products/2308030>

Environmental Product Compliance

China RoHS	Environmentally Friendly Use Period = 25; For information on hazardous substances, refer to the manufacturer's declaration available under "Downloads"
------------	---

Phoenix Contact 2023 © - all rights reserved
<https://www.phoenixcontact.com>

Phoenix Contact USA
586 Fulling Mill Road
Middletown, PA 17057, United States
(+717) 944-1300
info@phoenixcon.com