

REVISIONS				
P.	LTN.	DESCRIPTION	DATE	APP'D.
B		REV PER ECO 20-002093	2-17-20	CT DH

- 1 HOUSING: LCP, UL94V0, COLOR: BLACK.
CONTACT: PHOSPHOR BRONZE.
POST: BRASS WIRE
- 2 PAD CONTACT AREA: 1.27µm MIN GOLD
PCB TAILS CONTACT: 1.27µm MIN TIN-LEAD OVER
1.27µm MIN NICKEL OVER ALL
POST: 1.27µm MIN NICKEL PLATED
- 3 PLATED THROUGH HOLE PER 114-13056, FIGURE 4
- 4 SEE TABLE 1 FOR INTERCONNECTIONS TO
BACKPLANE CONNECTOR.
- 5. VITA 78.1 (POWER SUPPLY PI)
- 6 CONTACT: 1.27µm MIN GOLD IN PAD CONTACT AREA, 1.27µm MIN
TIN ON PCB TAIL OVER 1.27µm MIN. NICKEL OVER ALL.
POST: 1.27µm MIN NICKEL PLATED.
- 7 CONTACT: 1.27µm MIN GOLD IN PAD CONTACT AREA, 1.27µm MIN
TIN-LEAD (60/40) ON PCB TAIL OVER 1.27µm MIN. NICKEL OVER ALL.
POST: 1.27µm MIN NICKEL PLATED.

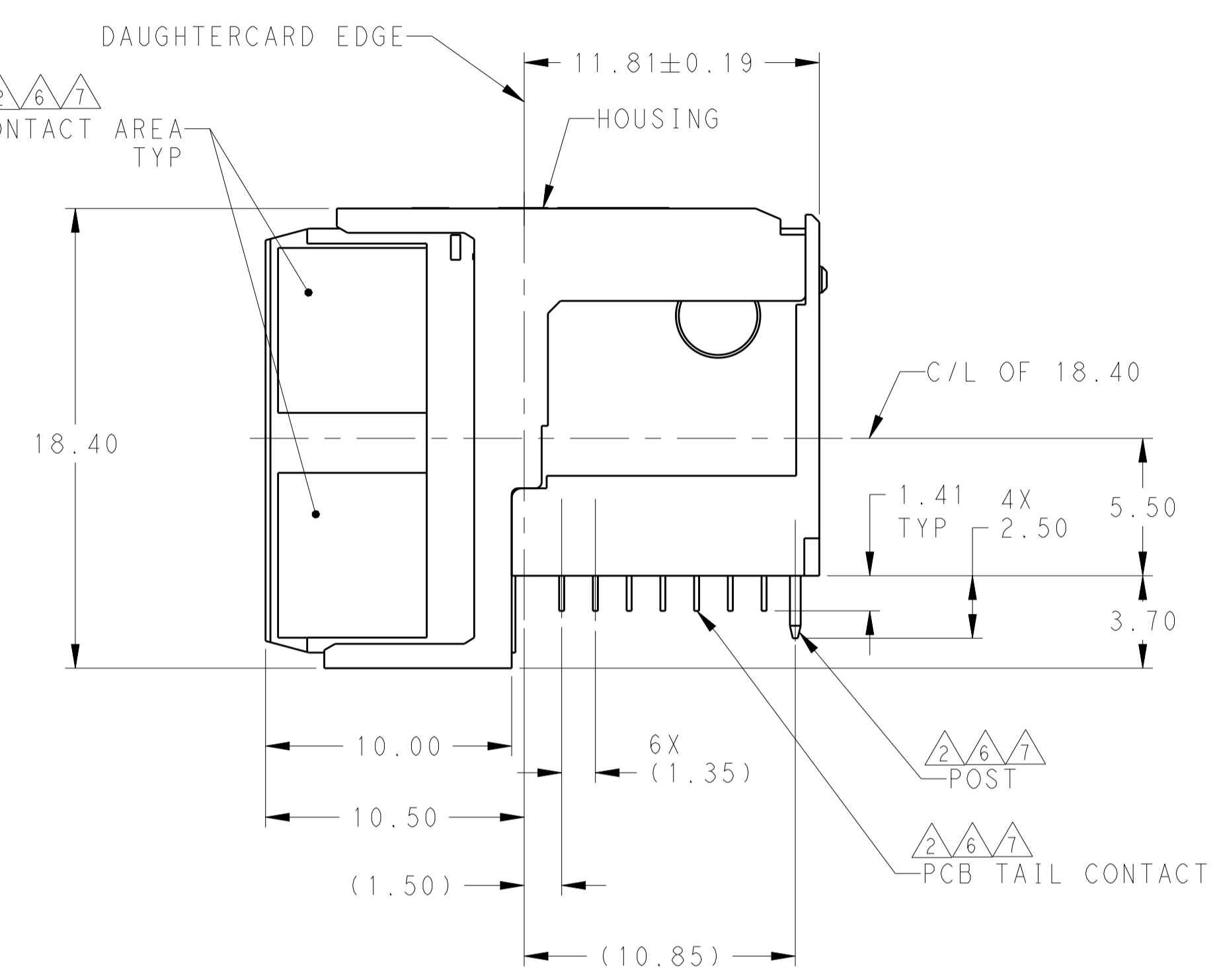
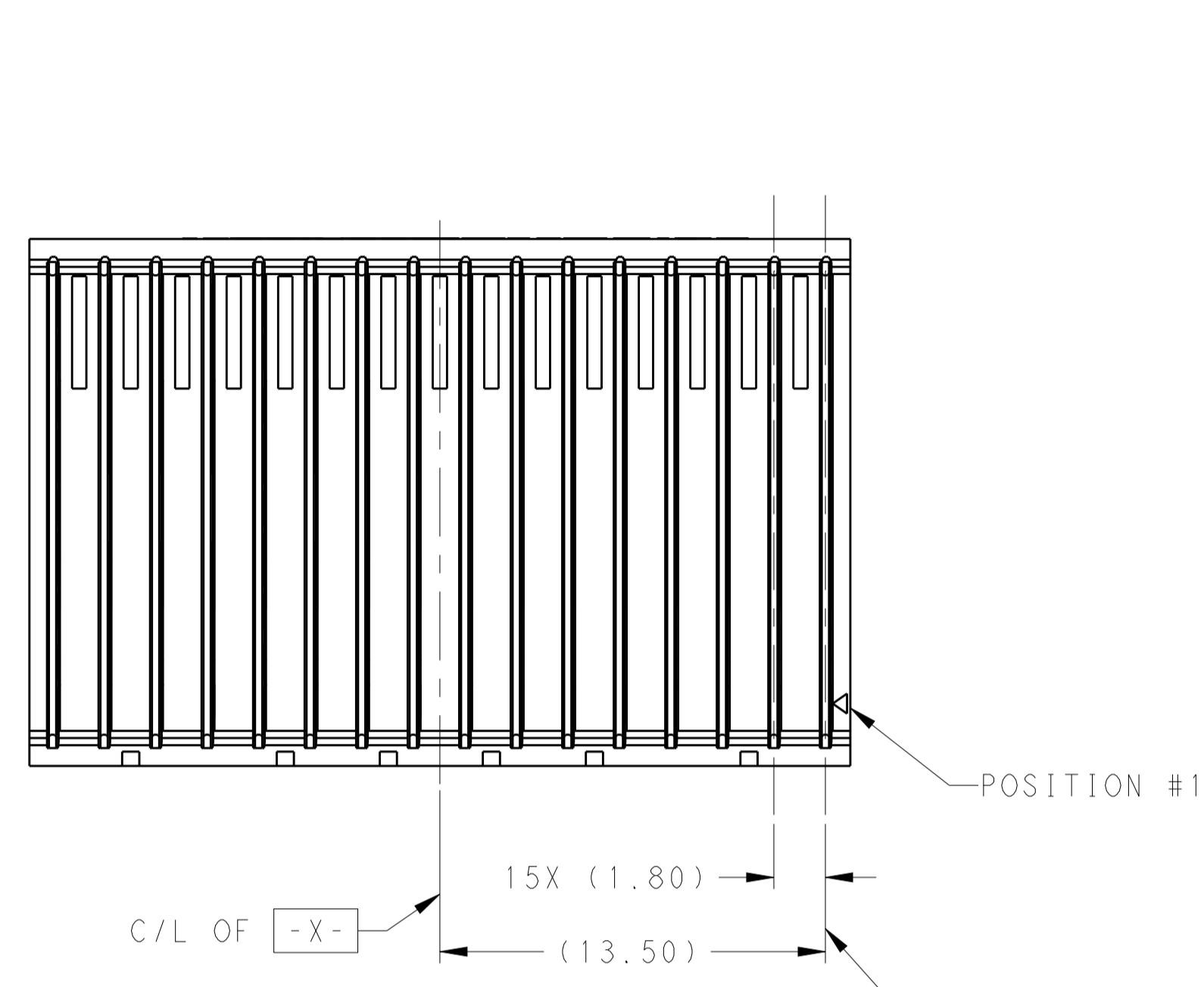


TABLE 1
INTERCONNECTIONS WITH BACKPLANE CONNECTOR 2102736-1

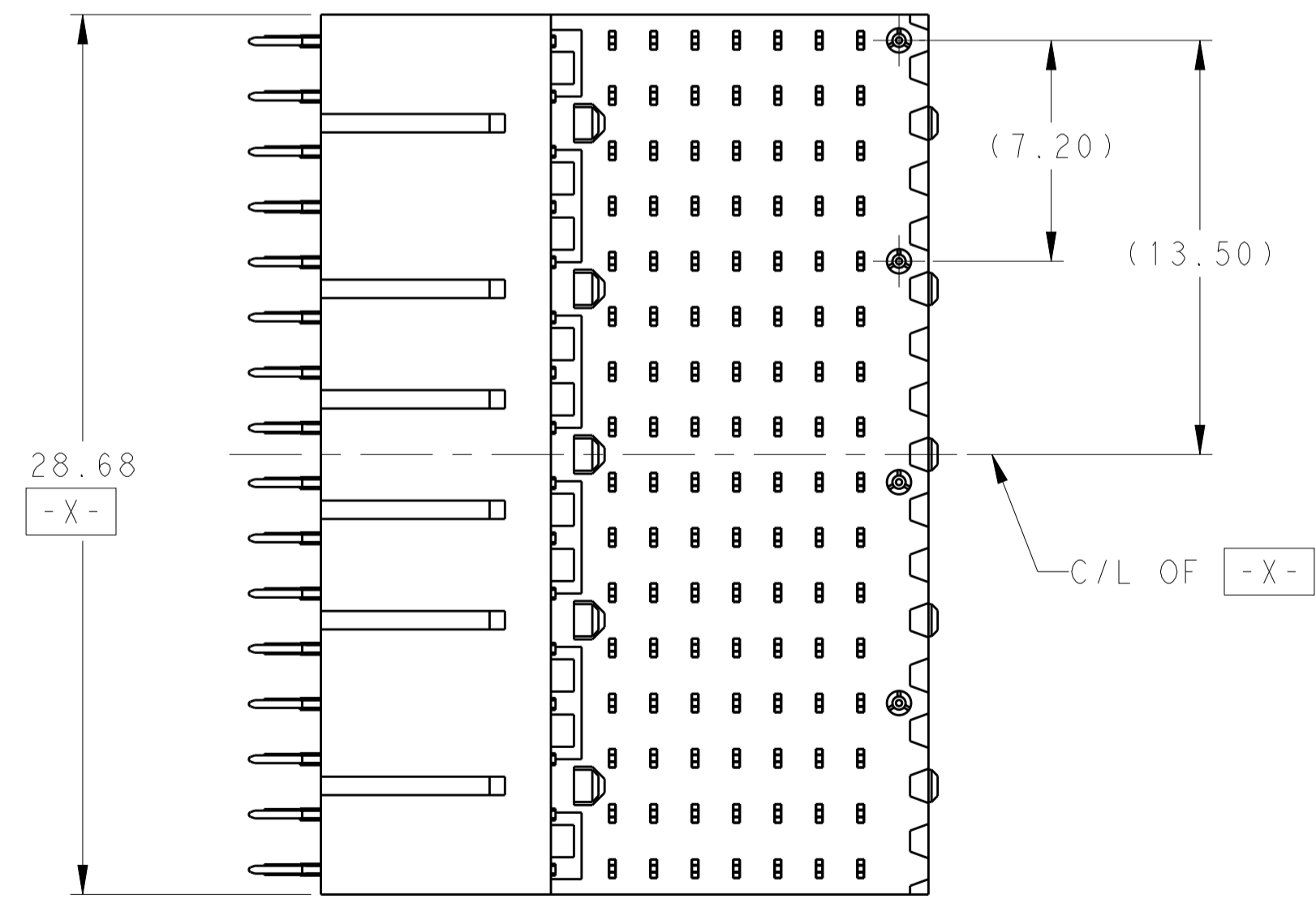
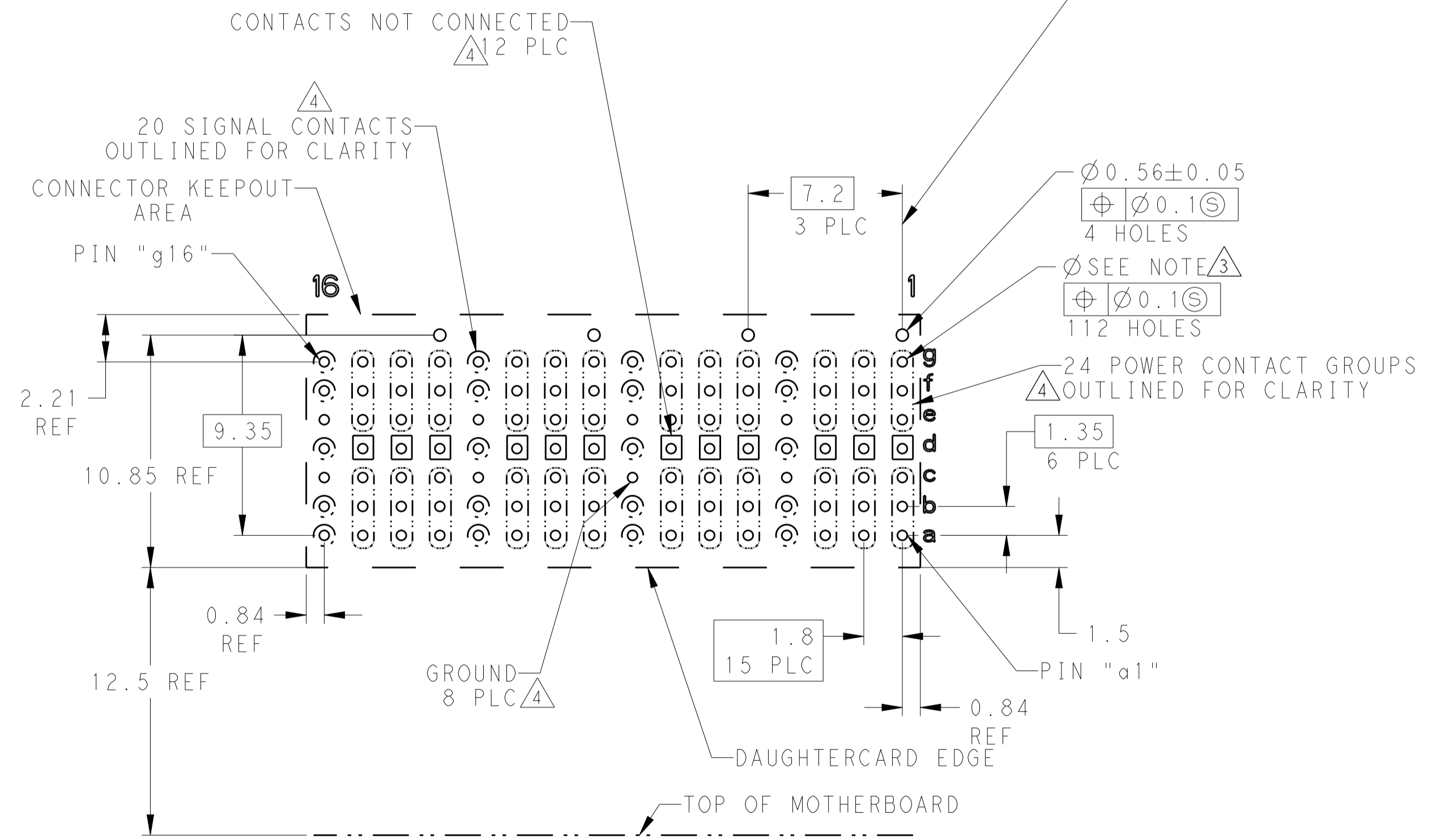
TYPICAL INTERCONNECTION FOR EACH COLUMN (WAFER):
1, 2, 3, 5, 6, 7, 9, 10, 11, 13, 14, 15

CONTACT USAGE	DAUGHTERCARD CONNECTOR PIN	BACKPLANE CONNECTOR PIN
POWER	ax, bx, cx	ax, bx, cx, dx
POWER	ex, fx, gx	fx, gx, hx, ix
Not Connect	dx	ex

TYPICAL INTERCONNECTIONS FOR EACH COLUMN (WAFER):
4, 8, 12 & 16

CONTACT USAGE	DAUGHTERCARD CONNECTOR PIN	BACKPLANE CONNECTOR PIN
SIGNAL	ax	bx
SIGNAL	bx	cx
SIGNAL	dx	ex
SIGNAL	fx	gx
SIGNAL	gx	hx
GROUPS	cx, ex, (ALL COMMONED)	ax, dx, fx, ix

NOTE: "x" DESIGNATES THE COLUMN NUMBER



PC BOARD LAYOUT (CONNECTOR SIDE)
SCALE 5:1

1	2305986-3
6	2305986-2
2	2305986-1
PLATING	PART NO

THIS DRAWING IS A CONTROLLED DOCUMENT.

DIMENSIONS:	TOLERANCES UNLESS OTHERWISE SPECIFIED:	OWN: C.C. THOMAS 11-28-16	CHK: D. HOANG 11-28-16	APVD: D. HOANG 11-28-16	NAME: RIGHT-ANGLE PLUG ASSEMBLY, 7 ROW, 20.3mm, MULTIGIG RT 2-R, CENTER, DAUGHTERCARD CONNECTOR, VITA 78.1
mm	0 PLC ±0.5 1 PLC ±0.5 2 PLC ±0.5 3 PLC ±0.5 4 PLC ±0.5 ANGLES ±1°	PRODUCT SPEC: 108-2072	APPLICATION SPEC: 114-13056	SIZE: 10.33g	RESTRICTED TO: A 00779 C=2305986
MATERIAL:	FINISH: SEE TABLE	WEIGHT: 10.33g	CUSTOMER DRAWING	SCALE: 5:1	SHEET 1 OF 1 REV B

TE Connectivity