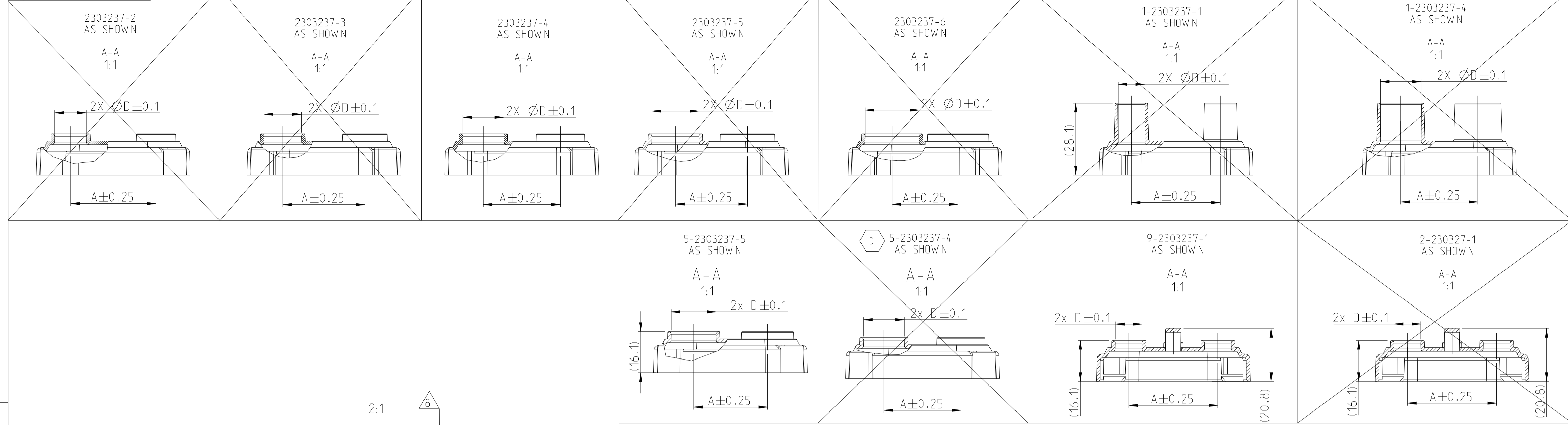
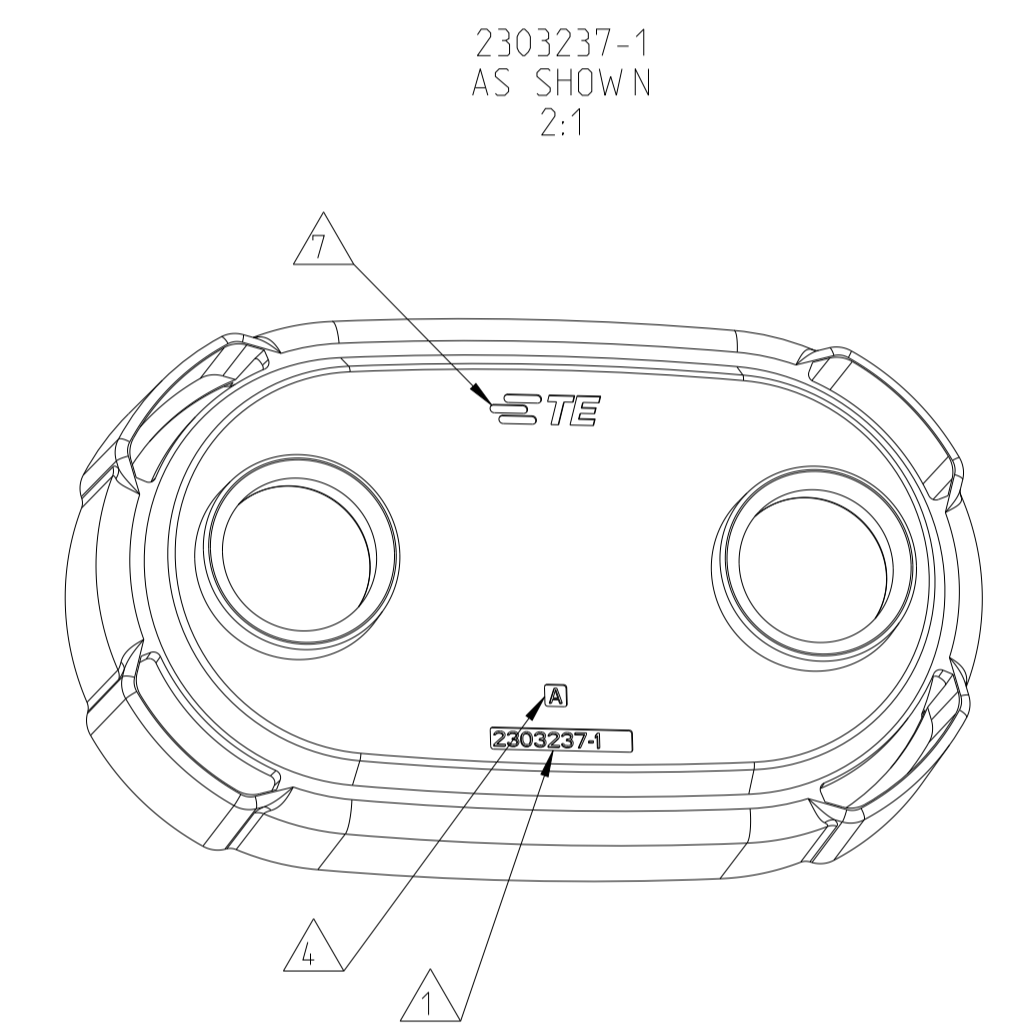
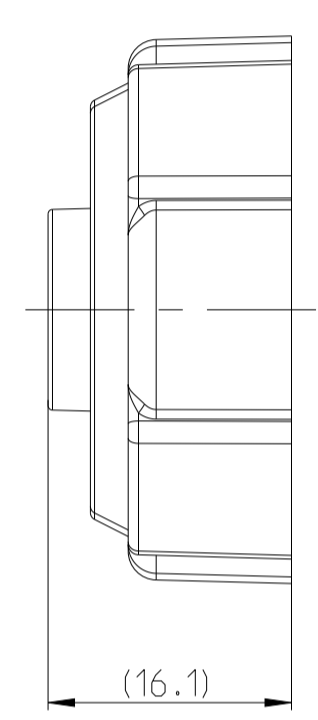
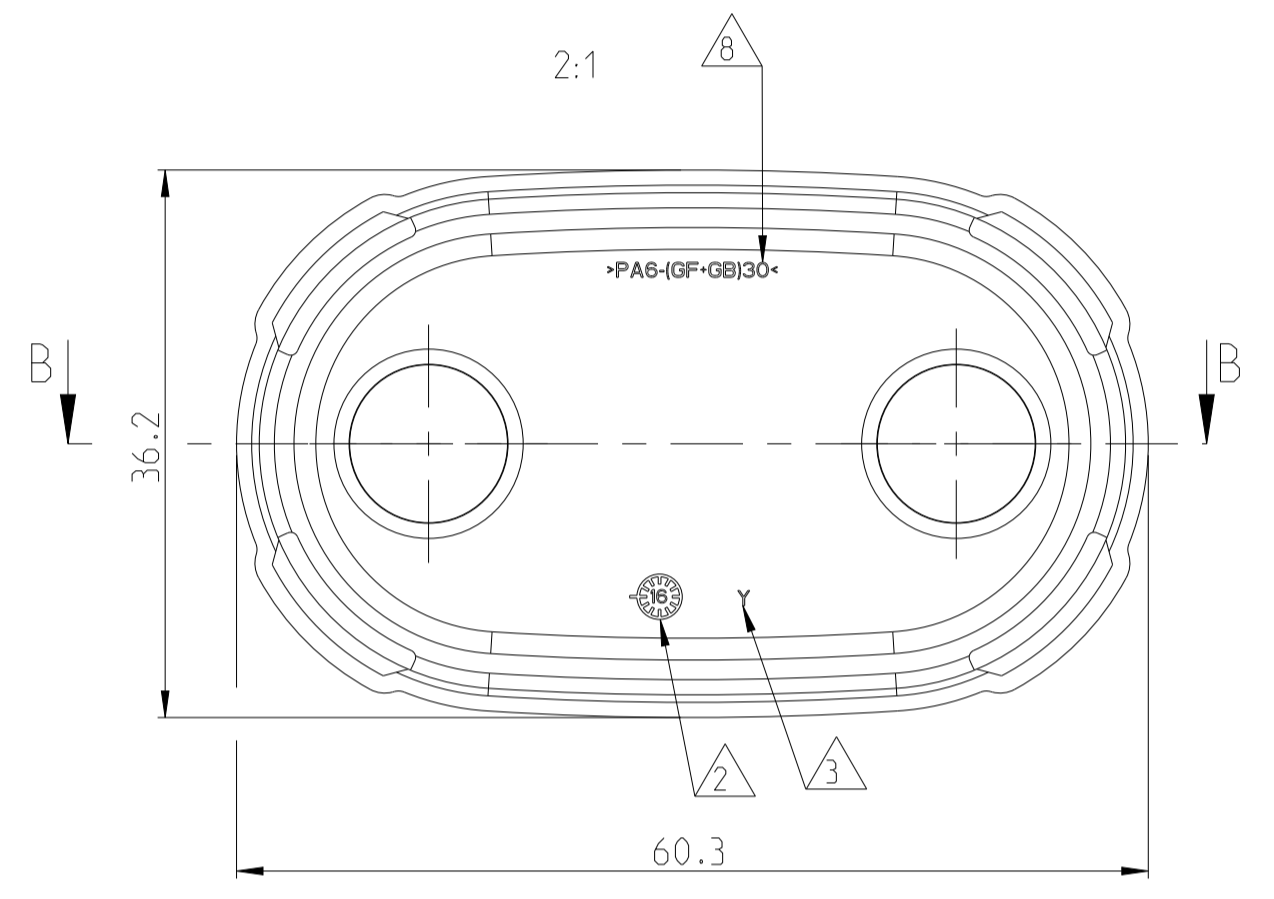


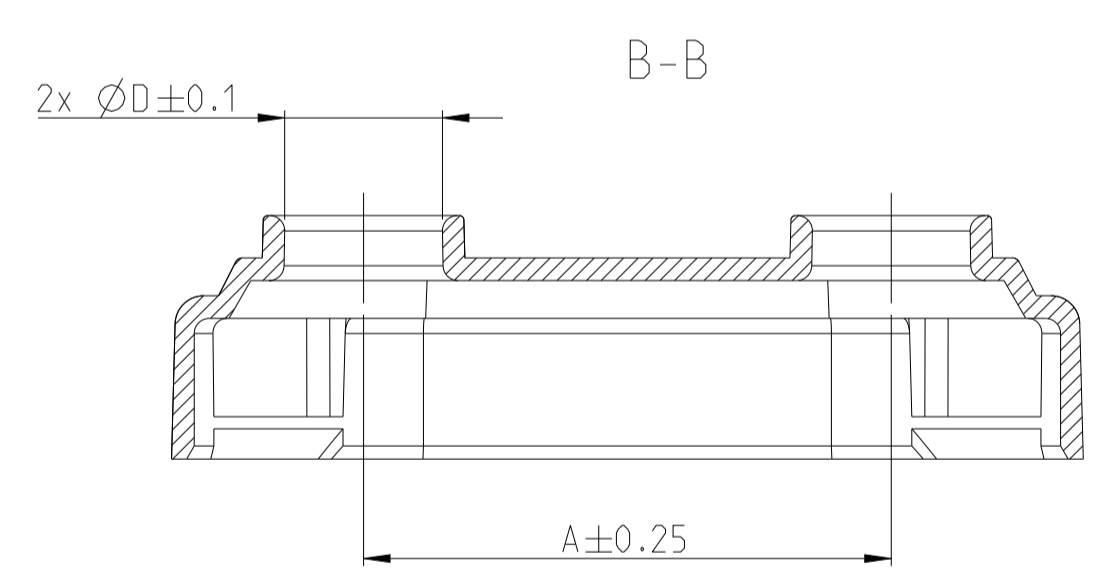
REVISIONS				
REV	DATE	DESCRIPTION	BY	CHK
B3	09 JUL 2021	2-2303237-1 OBSOLETE	TD	SK
C	07 APR 2022	1-2303237-1 AND 1-2303237-4 OBSOLETE	AN	MST
C1	06 SEP 2022	5-2303237-5 IS ADDED	PK	SDM
D	10 JAN 2024	5-2303237-4 IS OBSOLETE	VR	JN



- NOTES
- △ TE PART NUMBER SINGLE PART
  - △ PRODUCTION DATE
  - △ CAVITY MARKING
  - △ LETTER INSERT FOR THE PART REVISION
  - 5 UNSPECIFIED GENERAL TOLERANCE TO BE  $\boxed{0.6 \text{ A B C}}$  ALL OVER
  - 6 BULK PACKAGING IN PLASTIC BAG AND CORRUGATED SHIPPING BOX
  - TE TRADEMARK ACC. TO SPEC. 1621426-7
  - △ MATERIAL MARKING ACC. TO VDA 260 UNLESS OTHERWISE STATED



+0.05  
-0.3  
+0.3  
0



TE-PART-NO.	REV.	DESCRIPTION	MATERIAL	DIM A [mm]	DIA D [mm]	FOR CABLE DIAM. [mm]	FOR CABLE CROSS SECTION [mm <sup>2</sup> ]	VOLUME [cm <sup>3</sup> ]	DENSITY [g/cm <sup>3</sup> ]	WEIGHT [g]	COLOUR
5-2303237-5	A	COVER, CABLE SEAL, COMBO DC	PA6 GF10-GB20	28.9	17.5	16.7...17.3	70	4.49	1.34	6.01	BLACK
5-2303237-4	A	COVER, CABLE SEAL, COMBO DC	PA6 GF10-GB20	30.2	16.0	15.2...15.8	50	4.57	1.34	6.13	BLACK
9-2303237-1	A	COVER, CABLE SEAL, COMBO DC	PA6 GF10-GB20	34.9	10.4	9.6...10.2	16	4.95	1.34	6.63	ORANGE SIMILAR RAL 2003
2-2303237-1	A	COVER, CABLE SEAL, COMBO DC		34.9	10.4	9.6...10.2	16	4.95	1.34	6.63	
1-2303237-4	A	COVER, CABLE SEAL, COMBO DC		30.2	16	15.2...15.8	50	6.12	1.34	8.2	
1-2303237-1	B	COVER, CABLE SEAL, COMBO DC		34.9	10.4	9.6...10.2	16	5.87	1.34	7.86	
2303237-6	A	COVER, CABLE SEAL, COMBO DC		25.9	21.1	20.1...20.9	95	4.24	1.34	5.68	
2303237-5	A	COVER, CABLE SEAL, COMBO DC	28.2	18.4	17.4...18.2	70	4.43	1.34	5.94		
2303237-4	A	COVER, CABLE SEAL, COMBO DC	30.2	16.0	15.2...15.8	50	4.57	1.34	6.13		
2303237-3	A	COVER, CABLE SEAL, COMBO DC	32.2	14.6	13.8...14.4	35	4.64	1.34	6.22		
2303237-2	A	COVER, CABLE SEAL, COMBO DC	33.5	12.4	11.6...12.2	25	4.74	1.34	6.35		
2303237-1	A	COVER, CABLE SEAL, COMBO DC	34.9	10.4	9.6...10.2	16	4.8	1.34	6.43		

THIS DRAWING IS A CONTROLLED DOCUMENT. DIMENSIONING AND TOLERANCING PER GPS (ISO STANDARDS).

OTHERWISE SPECIFIED: D IN 16742 TGS

TOLERANCES UNLESS OTHERWISE SPECIFIED: ±

0 PLC ±  
1 PLC ±  
2 PLC ±  
3 PLC ±  
4 PLC ±  
ANGLES ±  
FINISH ±

TE Connectivity

COVER, CABLE SEAL, COMBO DC

SCALE 5:1 SHEET 1 OF 1 REV D