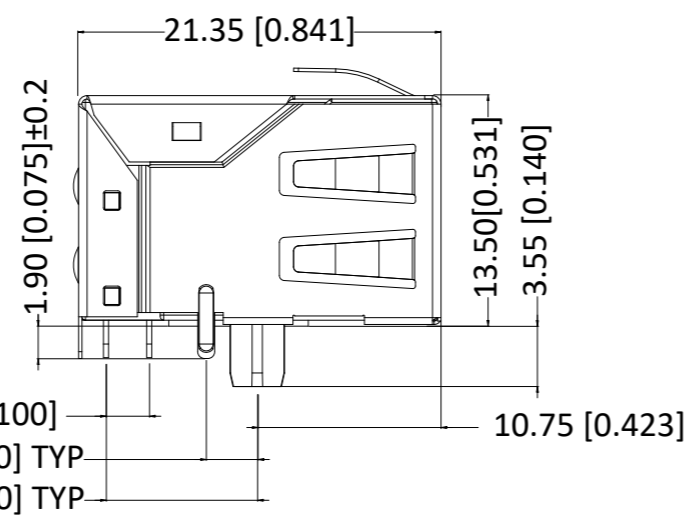
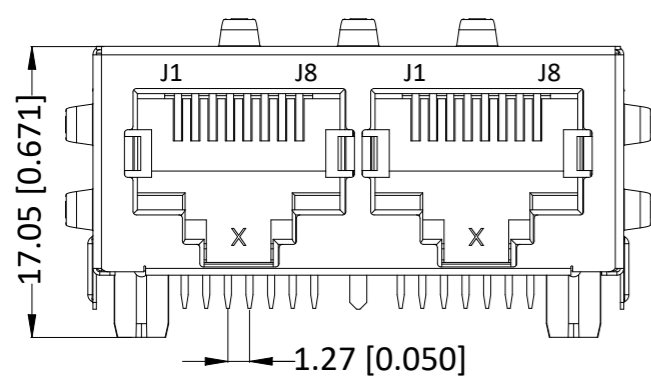
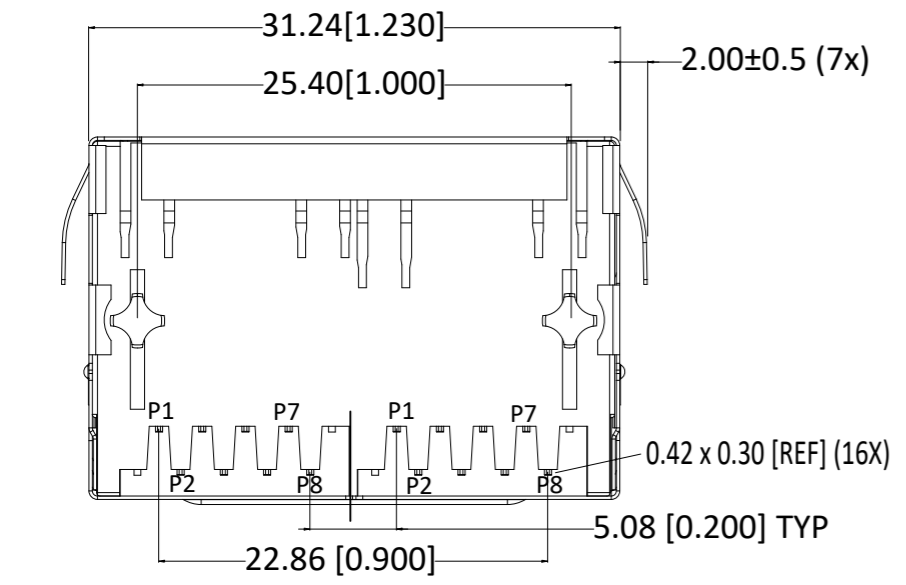
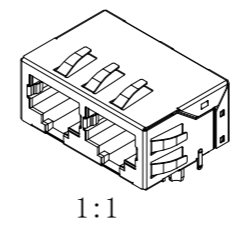
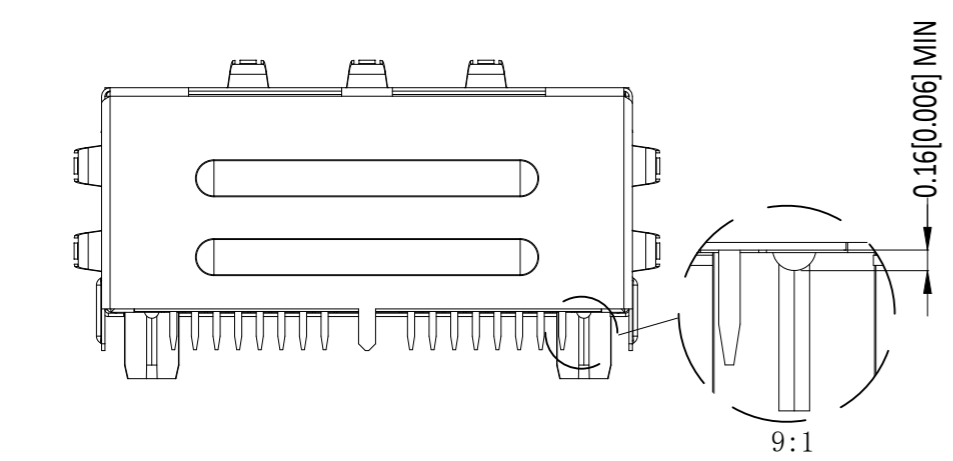


| REVISIONS | | | | | |
|-----------|-----|----------------------------|-----------|-----|------|
| P | LTR | DESCRIPTION | DATE | DWN | APVD |
| | A2 | CORRECT PRODUCT APPEARANCE | 25JUN2024 | SS | JDB |



- 1 **CONNECTOR MATERIAL:**
 HOUSING: LCP BLACK UL94 V-0
 INSERT: LCP BLACK UL94 V-0
 SHIELD: BRASS
 SHIELD PLATING: NICKEL
 CONTACT: COPPER ALLOY
 CONTACT PLATING: SELECTIVE GOLD, MIN. 0.76µm (30µinch) IN CONTACT AREA
 OVER MIN. 1.27µm (50µinch) NICKEL
 SOLDER PIN PLATING: 3.05µm (120µinch) TIN OVER 1.27µm (50µinch) NICKEL
 OVER ALL
 SHIELDING PIN PLATING: NICKEL
- 2 PIN NOT ELECTRICALLY CONNECTED MAYBE OMITTED SEE ELECTRICAL CIRCUIT DIAGRAM FOR OMITTED PINS
- 3 RJ45 CAVITY DIMENSION CONFORM TO FCC PART 68
- 4 THE PART IS RECOMMENDED FOR REFLOW SOLDERING PROCESS PEAK SOLDERING: TEMPERATURE MAX. +260°C, MAX. 10s
- 5 OPERATING TEMPERATURE: T= -40°C TO +85°C
- 6 STORAGE TEMPERATURE: T= -40°C TO +85°C
- 7 **UNLESS OTHERWISE SPECIFIED, SEE TABLE FOR ALL DIMENSIONS TOLERANCES**
- 8 JACK CONFIGURATION: 1 x 2
 TAB DIRECTION: DOWN
- 9 PACKAGING: REEL (T+R) ACCORDING TO PACKAGING SPECIFICATION 107-18116

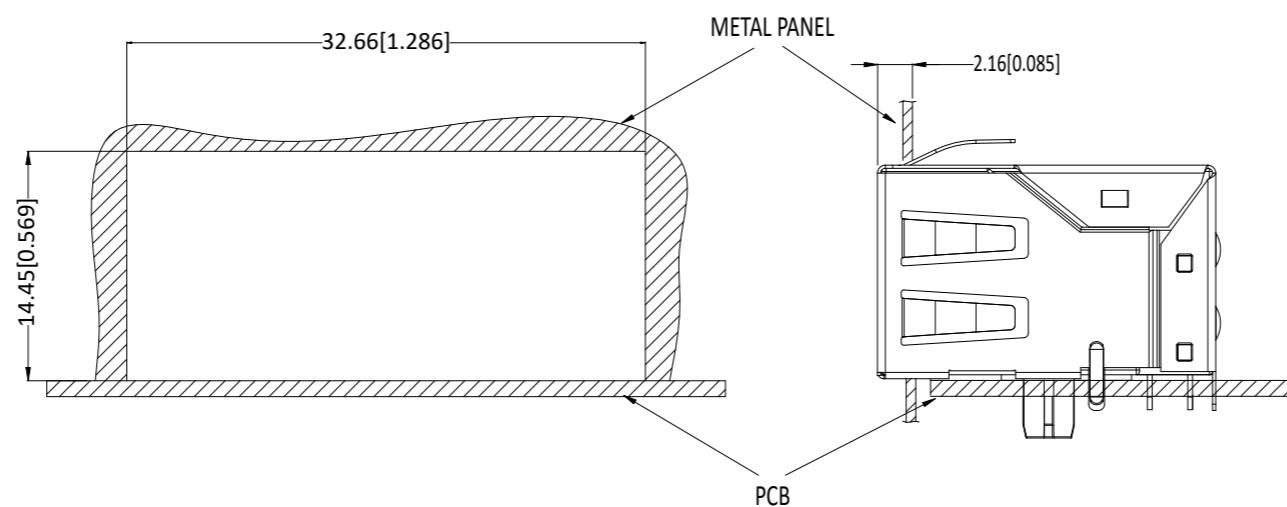
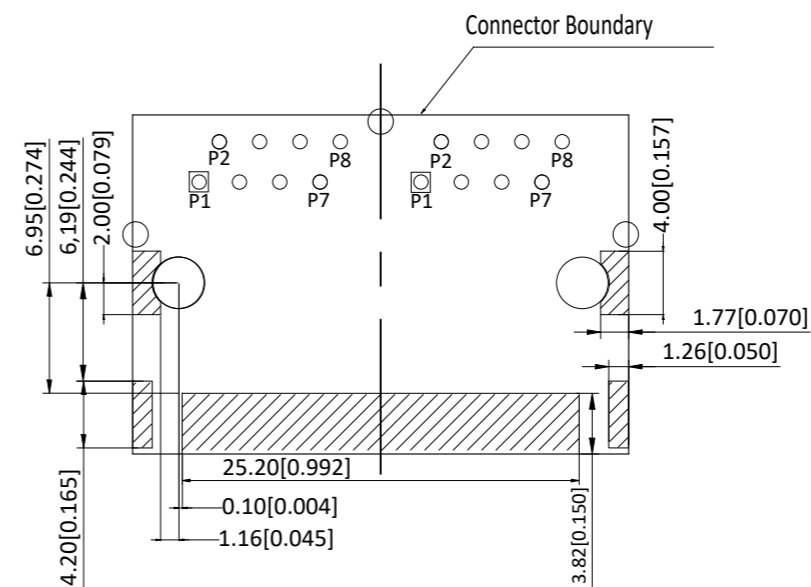
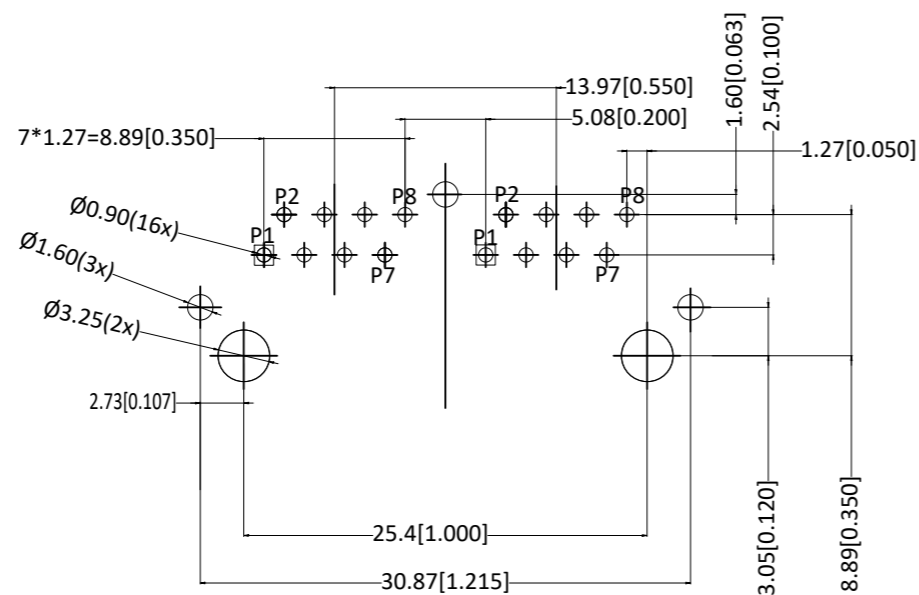


| TABLE OF TOLERANCE (mm) | |
|-------------------------|-----------|
| RANGE | TOLERANCE |
| 0-10 | ±0.15 |
| >10-40 | ±0.25 |
| >40-70 | ±0.30 |
| >70 | ±0.40 |






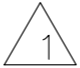
| | | | | | | | | | | | | | | | | | |
|--|-----|------------------------------------|---------------------------------------|--------------------|---------------------------|-------|-----|-------|-----|-------|-----|--------|-----|---------------------------|---------------|--|--|
| THIS DRAWING IS A CONTROLLED DOCUMENT. | | DWN GAMESH C M 27AUG2016 | TE Connectivity | | | | | | | | | | | | | | |
| DIMENSIONS: mm [INCHES] | | CHK FRANZ MUELLER 27AUG2016 | | | | | | | | | | | | | | | |
| TOLERANCES UNLESS OTHERWISE SPECIFIED: | | APVD MARTIN SZELAG 27AUG2016 | NAME RJ45 JACK INT.MAG. 10/100 1x2 | | | | | | | | | | | | | | |
| <table border="0"> <tr><td>0 PLC</td><td>± -</td></tr> <tr><td>1 PLC</td><td>± -</td></tr> <tr><td>2 PLC</td><td>± -</td></tr> <tr><td>3 PLC</td><td>± -</td></tr> <tr><td>4 PLC</td><td>± -</td></tr> <tr><td>ANGLES</td><td>± -</td></tr> </table> | | 0 PLC | ± - | 1 PLC | ± - | 2 PLC | ± - | 3 PLC | ± - | 4 PLC | ± - | ANGLES | ± - | PRODUCT SPEC 108-94552 | RESTRICTED TO | | |
| 0 PLC | ± - | | | | | | | | | | | | | | | | |
| 1 PLC | ± - | | | | | | | | | | | | | | | | |
| 2 PLC | ± - | | | | | | | | | | | | | | | | |
| 3 PLC | ± - | | | | | | | | | | | | | | | | |
| 4 PLC | ± - | | | | | | | | | | | | | | | | |
| ANGLES | ± - | | | | | | | | | | | | | | | | |
| MATERIAL | | APPLICATION SPEC 114-94447 | SIZE A3 | CAGE CODE 00779 | DRAWING NO C-2301996-2 | | | | | | | | | | | | |
| FINISH | | WEIGHT - | SCALE 3:1 | | SHEET 1 OF 3 | | | | | | | | | | | | |
| CUSTOMER DRAWING | | SCALE 3:1 | | REV A2 | | | | | | | | | | | | | |

| P | LTR | DESCRIPTION | DATE | DWN | APVD |
|---|-----|-------------|------|-----|------|
| - | - | SEE SHEET 1 | - | - | - |

SUGGESTED PCB LAYOUT

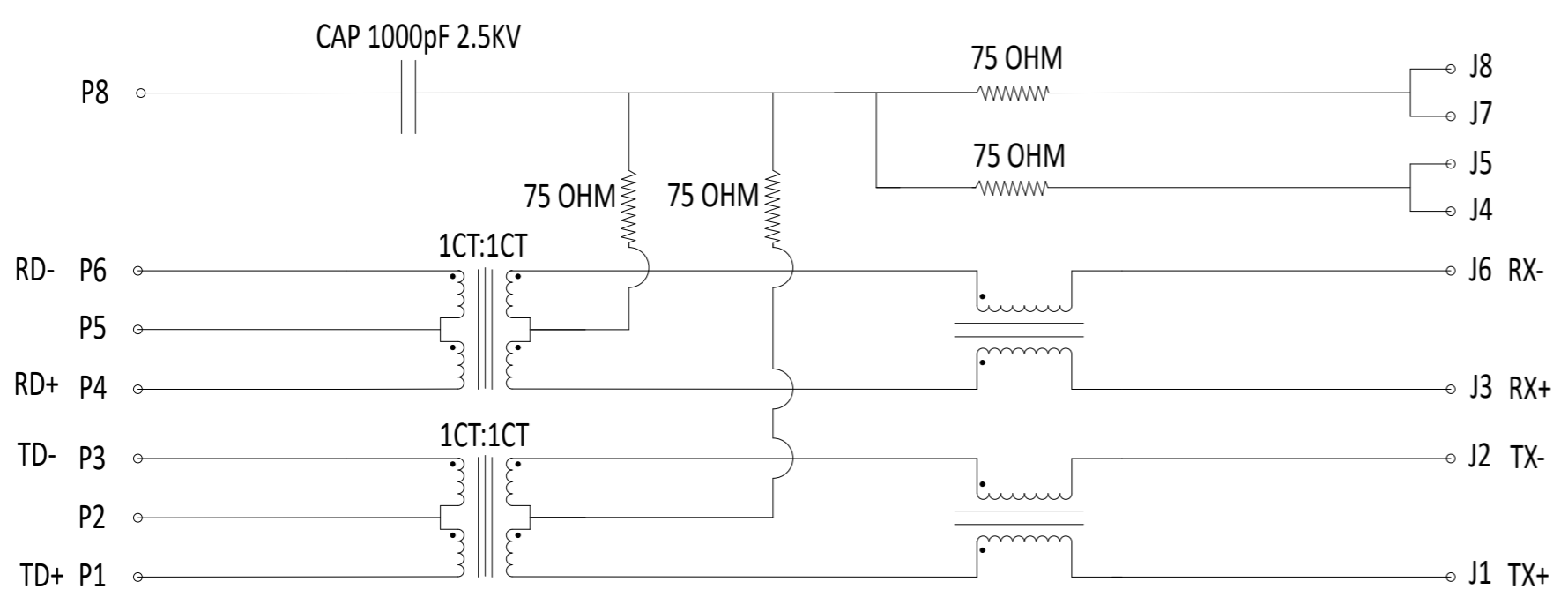


UNIT: mm / inch
 TOLERANCES: ±0.10 / 0.004
 ONLY FOR THIS VIEW

| | | | | | | | | | | | | | | | | | | | |
|---|-----|---|---|---|--------------------|-----|-------|-----|-------|-----|-------|-----|--------|-----|--|---------------------------|---------------|--|--|
| THIS DRAWING IS A CONTROLLED DOCUMENT. | | DWN GAMESH C M 27AUG2016 |  TE Connectivity | | | | | | | | | | | | | | | | |
| DIMENSIONS: mm [INCHES] | | CHK FRANZ MUELLER 27AUG2016 | | | | | | | | | | | | | | | | | |
| TOLERANCES UNLESS OTHERWISE SPECIFIED: | | APVD MARTIN SZELAG 27AUG2016 | NAME RJ45 JACK INT.MAG. 10/100 1x2 | | | | | | | | | | | | | | | | |
| <table border="1"> <tr> <td>0 PLC</td> <td>± -</td> <td rowspan="5">  </td> </tr> <tr> <td>1 PLC</td> <td>± -</td> </tr> <tr> <td>2 PLC</td> <td>± -</td> </tr> <tr> <td>3 PLC</td> <td>± -</td> </tr> <tr> <td>4 PLC</td> <td>± -</td> </tr> <tr> <td>ANGLES</td> <td>± -</td> <td></td> </tr> </table> | | 0 PLC | ± - |  | 1 PLC | ± - | 2 PLC | ± - | 3 PLC | ± - | 4 PLC | ± - | ANGLES | ± - | | PRODUCT SPEC 108-94552 | RESTRICTED TO | | |
| 0 PLC | ± - |  | | | | | | | | | | | | | | | | | |
| 1 PLC | ± - | | | | | | | | | | | | | | | | | | |
| 2 PLC | ± - | | | | | | | | | | | | | | | | | | |
| 3 PLC | ± - | | | | | | | | | | | | | | | | | | |
| 4 PLC | ± - | | | | | | | | | | | | | | | | | | |
| ANGLES | ± - | | | | | | | | | | | | | | | | | | |
| MATERIAL | | FINISH | APPLICATION SPEC 114-94447 | SIZE A3 | CAGE CODE 00779 | | | | | | | | | | | | | | |
|  | |  | WEIGHT - | DRAWING NO C-2301996-2 | SCALE 3:1 | | | | | | | | | | | | | | |
| CUSTOMER DRAWING | | | SHEET 2 OF 3 | REV A2 | | | | | | | | | | | | | | | |

| REVISIONS | | | | | |
|-----------|-----|-------------|------|-----|------|
| P | LTR | DESCRIPTION | DATE | DWN | APVD |
| - | - | SEE SHEET 1 | - | - | - |

ELECTRICAL CIRCUIT DIAGRAM



- TURN RATIO @100KHz: (P1~P3):(J1~J2) = 1:1±2%
(P4~P6):(J3~J6) = 1:1±2%
- PRIMARY INDUCTANCE: 350uH MIN. @100KHz, 0.1V 8mA DC BIAS
- DC RESISTANCE: 1.2 OHMS MAX.
- INSERTION LOSS: 1-100MHz -1.2dB MAX.
- RETURN LOSS: 1-30MHz -16dB MIN. (@30MHz -17.0dB TYP)
30-60MHz -16dB+20log(f/30MHz) MIN.
(@60MHz -13.0dB TYP)
60-80MHz -10dB MIN. (@80MHz -11.0dB TYP)
- CROSS TALK: 1-100MHz -30dB MIN.
- COMMON TO COMMON MODE ATTENUATION: 1-100MHz -30dB MIN.
- ISOLATION: PHY SIDE TO LINE SIDE: 2250VDC

2301996-2
WWYY-xxxx

FCC

CONTROL CODE
DATE CODE
"0213"

YY-YEAR
WW-WEEK

| | | | | | |
|---|--|------------------------------------|---------------------------------------|---------------------------|--------------------|
| THIS DRAWING IS A CONTROLLED DOCUMENT. | | DWN GAMESH C M 27AUG2016 | TE Connectivity | | |
| DIMENSIONS: mm [INCHES] | | CHK FRANZ MUELLER 27AUG2016 | | | |
| TOLERANCES UNLESS OTHERWISE SPECIFIED: | | APVD MARTIN SZELAG 27AUG2016 | NAME RJ45 JACK INT.MAG. 10/100 1x2 | | |
| 0 PLC ± - 1 PLC ± - 2 PLC ± - 3 PLC ± - 4 PLC ± - ANGLES ± - | | PRODUCT SPEC 108-94552 | RESTRICTED TO | | |
| MATERIAL 1 | | FINISH 1 | APPLICATION SPEC 114-94447 | SIZE A3 | CAGE CODE 00779 |
| | | | WEIGHT - | DRAWING NO C-2301996-2 | |
| CUSTOMER DRAWING | | | SCALE 3:1 | SHEET 3 OF 3 | REV A2 |