

2301828-1 ✓ ACTIVE

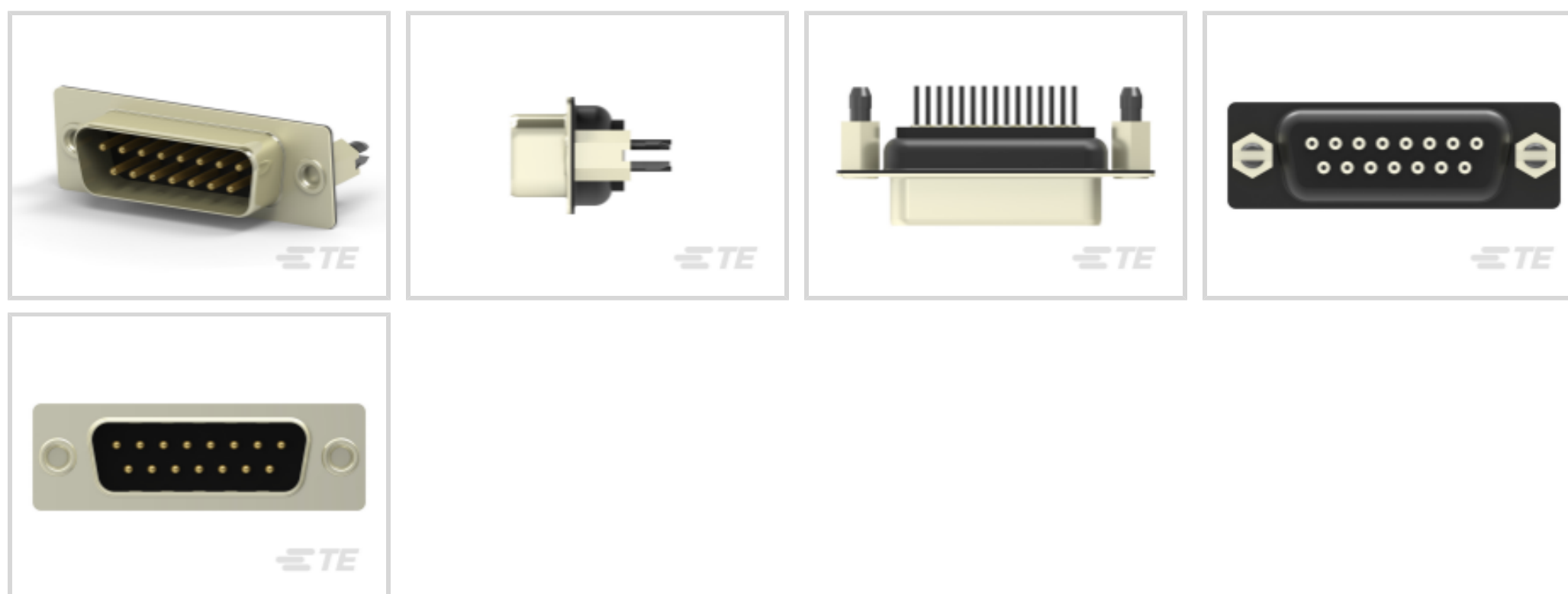
TE Internal #: 2301828-1

Plug, Wire-to-Board, 15 Position, 2.77 mm [.109 in] Centerline, 2 Row, 2 Connector Shell Size, Round, High Profile, Vertical, PCB D-Sub Connectors

[View on TE.com >](#)



Connectors > D-Shaped Connectors > D-Sub Connectors > PCB D-Sub Connectors > D-Sub Plug Assembly: Standard, Vertical, Shell Size 2, 2.74mm



Connector & Housing Type: **Plug**

Connector System: **Wire-to-Board**

Number of Positions: **15**

Centerline (Pitch): **2.77 mm [.109 in]**

Number of Rows: **2**

[All D-Sub Plug Assembly: Standard, Vertical, Shell Size 2, 2.74mm \(27\)](#)

Features

Product Type Features

Connector & Housing Type	Plug
Connector System	Wire-to-Board
Connector Shell Size	2
Connector & Contact Terminates To	Printed Circuit Board

Configuration Features

Number of Positions	15
Number of Rows	2
PCB Mount Orientation	Vertical

Body Features

Primary Product Color	Black
Connector Profile	High

Contact Features

Contact Options	Installed
-----------------	-----------



Contact Shape & Form	Round
----------------------	-------

Contact Current Rating (Max)	1.5 A
------------------------------	-------

Termination Features

Termination Post & Tail Diameter	.6 mm[.023 in]
----------------------------------	----------------

Termination Method to PCB	Through Hole - Solder
---------------------------	-----------------------

Mechanical Attachment

PCB Mount Retention	With
---------------------	------

PCB Mount Retention Type	Boardlock
--------------------------	-----------

Mating Retention	With
------------------	------

Mating Retention Type	Threaded Inserts, 4-40 UNC
-----------------------	----------------------------

Connector Mounting Type	Board Mount
-------------------------	-------------

Housing Features

Housing Material	PBT GF
------------------	--------

Centerline (Pitch)	2.77 mm[.109 in]
--------------------	------------------

Dimensions

Row-to-Row Spacing	2.84 mm[.111 in]
--------------------	------------------

Usage Conditions

Operating Temperature Range	-55 – 105 °C[-67 – 221 °F]
-----------------------------	----------------------------

Operation/Application

Circuit Application	Signal
---------------------	--------

Product Compliance

[For compliance documentation, visit the product page on TE.com>](#)

EU RoHS Directive 2011/65/EU	Compliant
------------------------------	-----------

EU ELV Directive 2000/53/EC	Compliant
-----------------------------	-----------

China RoHS 2 Directive MIIT Order No 32, 2016	No Restricted Materials Above Threshold
---	---

EU REACH Regulation (EC) No. 1907/2006	Current ECHA Candidate List: JUNE 2024 (241) Candidate List Declared Against: JAN 2023 (233) Does not contain REACH SVHC
--	--

Halogen Content	Not Low Halogen - contains Br or Cl > 900 ppm.
-----------------	--

Solder Process Capability	Not applicable for solder process capability
---------------------------	--



Product Compliance Disclaimer

This information is provided based on reasonable inquiry of our suppliers and represents our current actual knowledge based on the information they provided. This information is subject to change. The part numbers that TE has identified as EU RoHS compliant have a maximum concentration of 0.1% by weight in homogenous materials for lead, hexavalent chromium, mercury, PBB, PBDE, DBP, BBP, DEHP, DIBP, and 0.01% for cadmium, or qualify for an exemption to these limits as defined in the Annexes of Directive 2011/65/EU (RoHS2). Finished electrical and electronic equipment products will be CE marked as required by Directive 2011/65/EU. Components may not be CE marked. Additionally, the part numbers that TE has identified as EU ELV compliant have a maximum concentration of 0.1% by weight in homogenous materials for lead, hexavalent chromium, and mercury, and 0.01% for cadmium, or qualify for an exemption to these limits as defined in the Annexes of Directive 2000/53/EC (ELV). Regarding the REACH Regulation, the information TE provides on SVHC in articles for this part number is based on the latest European Chemicals Agency (ECHA) 'Guidance on requirements for substances in articles' posted at this URL: <https://echa.europa.eu/guidance-documents/guidance-on-reach>

Compatible Parts



TE Part # 2301840-1
 AMPL REC HD20, VERT, 15P, B/L,4-40
 S/LOC

Customers Also Bought



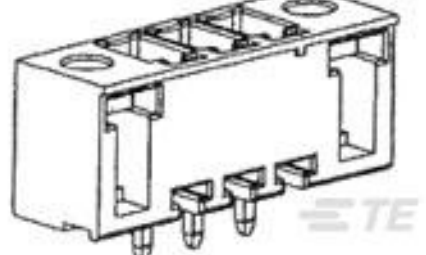
TE Part #5745352-4
 15 PLUG RA/MS STD



TE Part #1-5380758-0
 RCR SN-SPR SN-CUP 036-051



TE Part #GA10K3CG3
 CHPG-NTC CHIP THERMISTORS



TE Part #796867-2
 2 POS TERMI-BLOK HDR VERTICAL



TE Part #1757836-4
 AMPLIMITE,R/A RCPT ASY,109,ZN,4



TE Part #1676395-2
 RN 0805 619R 0.1% 10PPM 1KRL



TE Part #2301838-1
 AMPL REC HD20, VERT, 9P, B/L,4-40
 INS



TE Part #770894-2
 02P SL156 HSG W/THRU BD LATCH
 INS



TE Part #1-2308273-2
QL-SET VARA W/STP MO FOR
COMBLOCK 440UNC



TE Part #1757835-2
AMPLIMITE, PLUG ASY, R/A, 109, ZN, 2

Documents

Product Drawings

[AMPL PLUG HD20, VERT, 15P, B/L,4-40 INS](#)

English

CAD Files

[3D PDF](#)

3D

Customer View Model

[ENG_CVM_CVM_2301828-1_A.2d_dxf.zip](#)

English

Customer View Model

[ENG_CVM_CVM_2301828-1_A.3d_igs.zip](#)

English

Customer View Model

[ENG_CVM_CVM_2301828-1_A.3d_stp.zip](#)

English

By downloading the CAD file I accept and agree to the [Terms and Conditions](#) of use.

Product Specifications

[Product Specification](#)

English