

2298121-1 ✓ ACTIVE



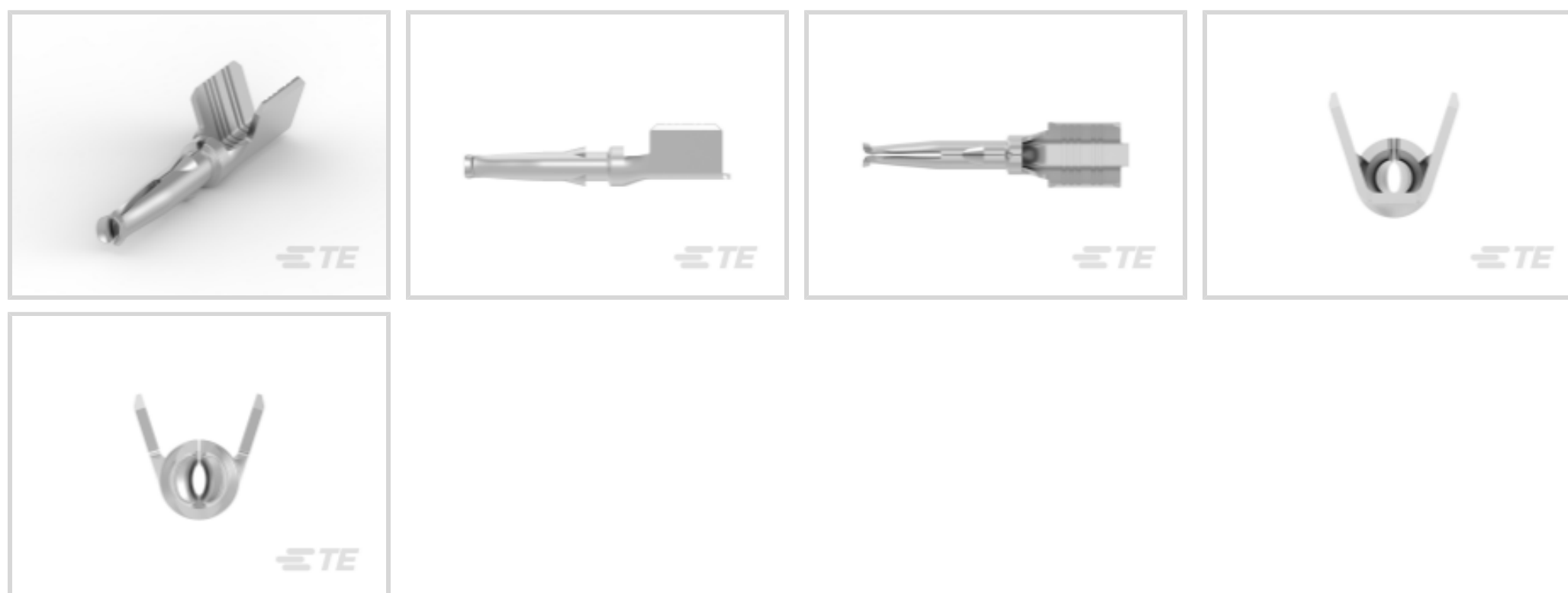
MATE-AX

TE Internal #: 2298121-1

Automotive Terminals, Socket, Pin Diameter .4 mm [.016 in], 22 AWG Wire Size, .35 mm² Wire Size, Terminates To Wire & Cable, MATE-AX

[View on TE.com >](#)

Terminals & Splices > Automotive Terminals



Terminal Type: **Socket**

Mating Pin Diameter: **.4 mm [.016 in]**

Terminal Transmits: **0 – 24 A (Low Power)**

Wire Size: **.35 mm²**

Features

Product Type Features

Sealable	No
Primary Locking Feature	On the Terminal

Configuration Features

Compatible With Wire & Cable Type	Coax Cable
-----------------------------------	------------

Contact Features

Contact Size	.4mm
Terminal Type	Socket
Mating Pin Diameter	.4 mm [.016 in]

Termination Features

Termination Method to Wire & Cable	Crimp
Product Terminates To	Wire & Cable

Dimensions

Wire Size	.35 mm ²
Wire Size Search	22 AWG



Usage Conditions

Operating Temperature (Max)	105 °C[221 °F]
Operating Temperature Range	-40 – 105 °C[-40 – 221 °F]

Packaging Features

Packaging Quantity	30000
Packaging Method	Box

Other

Terminal Transmits	0 – 24 A (Low Power)
--------------------	----------------------

Product Compliance

[For compliance documentation, visit the product page on TE.com>](#)

EU RoHS Directive 2011/65/EU	Compliant
EU ELV Directive 2000/53/EC	Compliant
China RoHS 2 Directive MIIT Order No 32, 2016	No Restricted Materials Above Threshold
EU REACH Regulation (EC) No. 1907/2006	Current ECHA Candidate List: JUNE 2024 (241) Candidate List Declared Against: JAN 2024 (240) Does not contain REACH SVHC
Halogen Content	Low Halogen - Br, Cl, F, I < 900 ppm per homogenous material. Also BFR/CFR/PVC Free
Solder Process Capability	Not reviewed for solder process capability

Product Compliance Disclaimer

This information is provided based on reasonable inquiry of our suppliers and represents our current actual knowledge based on the information they provided. This information is subject to change. The part numbers that TE has identified as EU RoHS compliant have a maximum concentration of 0.1% by weight in homogenous materials for lead, hexavalent chromium, mercury, PBB, PBDE, DBP, BBP, DEHP, DIBP, and 0.01% for cadmium, or qualify for an exemption to these limits as defined in the Annexes of Directive 2011/65/EU (RoHS2). Finished electrical and electronic equipment products will be CE marked as required by Directive 2011/65/EU. Components may not be CE marked. Additionally, the part numbers that TE has identified as EU ELV compliant have a maximum concentration of 0.1% by weight in homogenous materials for lead, hexavalent chromium, and mercury, and 0.01% for cadmium, or qualify for an exemption to these limits as defined in the Annexes of Directive 2000/53/EC (ELV). Regarding the REACH Regulation, the information TE provides on SVHC in articles for this part number is based on the latest European Chemicals Agency (ECHA) 'Guidance on requirements for substances in articles' posted at this URL: <https://echa.europa.eu/guidance-documents/guidance-on-reach>

Compatible Parts




TE Part # 1-2310137-9
1 P MATE-AX, SOC HSG , COD Z



TE Part # 2-2306868-1
2P,MATE-AX,SOC HSG ASSY,COD A, CPA



TE Part # 2-2306868-2
2P,MATE-AX,SOC HSG ASSY,COD B, CPA



TE Part # 2-2306868-3
2P,MATE-AX,SOC HSG ASSY,COD C, CPA



TE Part # 2-2306868-4
2P,MATE-AX,SOC HSG ASSY,COD D, CPA



TE Part # 2-2306868-9
2P,MATE-AX,SOC HSG ASSY,COD Z, CPA



TE Part # 2-2310137-1
1 P MATE-AX, SOC HSG W CPA, COD A



TE Part # 2-2310137-2
1 P MATE-AX, SOC HSG W CPA, COD B



TE Part # 2-2310137-3
1 P MATE-AX, SOC HSG W CPA, COD C



TE Part # 2-2310137-4
1 P MATE-AX, SOC HSG W CPA, COD D



TE Part # 2306868-1
2P,MATE-AX,SOC HSG ASSYCOD A



TE Part # 2306868-2
2P,MATE-AX,SOC HSG ASSY,COD B



TE Part # 2306868-3
2P,MATE-AX,PIN HSG ASSY,COD C



TE Part # 2306868-4
2P,MATE-AX,SOC HSG ASSY,COD D



TE Part # 2306868-9
2P,MATE-AX,SOC HSG ASSY,COD Z



TE Part # 2310137-1
1 P MATE-AX, SOC HSG , COD A



TE Part # 2310137-2
1 P MATE-AX, SOC HSG , COD B



TE Part # 2310137-3
1 P MATE-AX, SOC HSG , COD C



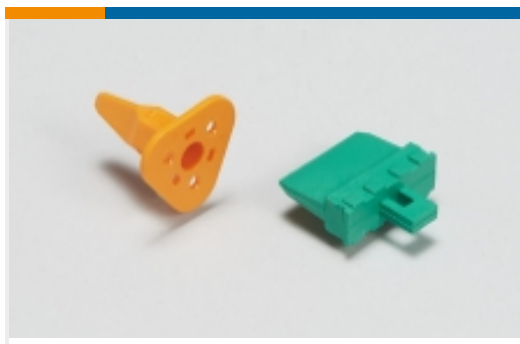
TE Part # 2310137-4
1 P MATE-AX, SOC HSG , COD D



TE Part # 2335280-1
SDE MATE-AX CENTER CONTACT RTK031 ASSY

REPRESENTATION ONLY. DIE SET MAY VARY.

Also in the Series | **MATE-AX**



Automotive Connector Locks & Position Assurance(1)



Automotive Terminals(8)



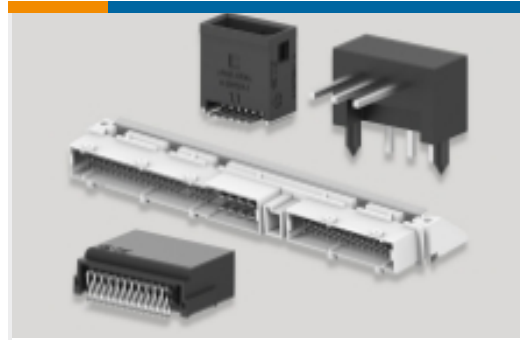
Crimp Wire Pins, Tabs & Ferrules(2)



Data Connectivity Headers(23)



Data Connectivity Housings(30)



PCB Headers & Receptacles(1)

Customers Also Bought



TE Part #1-2298721-1
4 P, MATE-AX SOC HSG W CPA, COD A



TE Part #1488167-1
FERRULE, RTK031, 180 GRAD



TE Part #2298123-1
MATE-AX, Pin outer contact, RTK 031



TE Part #2298125-1
MATE-AX, Pin center contact, RTK 031



TE Part #2298126-2
MIXED SHIELD INNER FERRULE



TE Part #2298494-1
MATE-AX, Socket outer contact, RG 174



TE Part #2298509-1
MATE-AX, Crimp Ferrule, RG 174



TE Part #2203238-1
PLUG SUBASSEMBLY, RTK031 2DS-PPFW, FAKRA



TE Part #2203241-1
JACK SUBASSEMBLY, RTK031 2DS-PPFW, FAKRA



TE Part #2298721-1
4P, MATE-AX, SOC HSG ASSY, 180DEG, COD A

Documents



Product Drawings

[MATE-AX, Socket center contact, RTK 031](#)

English

CAD Files

[3D PDF](#)

3D

Customer View Model

[ENG_CVM_CVM_2298121-1_B.2d_dxf.zip](#)

English

Customer View Model

[ENG_CVM_CVM_2298121-1_B.3d_igs.zip](#)

English

Customer View Model

[ENG_CVM_CVM_2298121-1_B.3d_stp.zip](#)

English

By downloading the CAD file I accept and agree to the [Terms and Conditions](#) of use.

Product Specifications

[Application Specification](#)

English