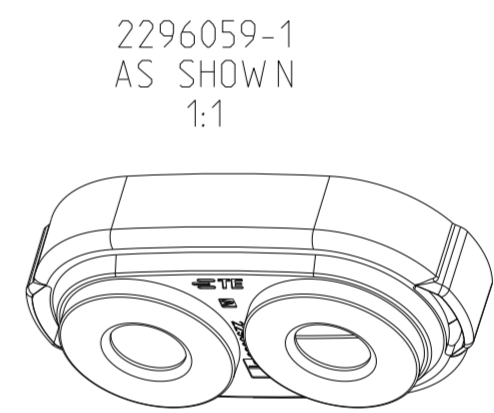
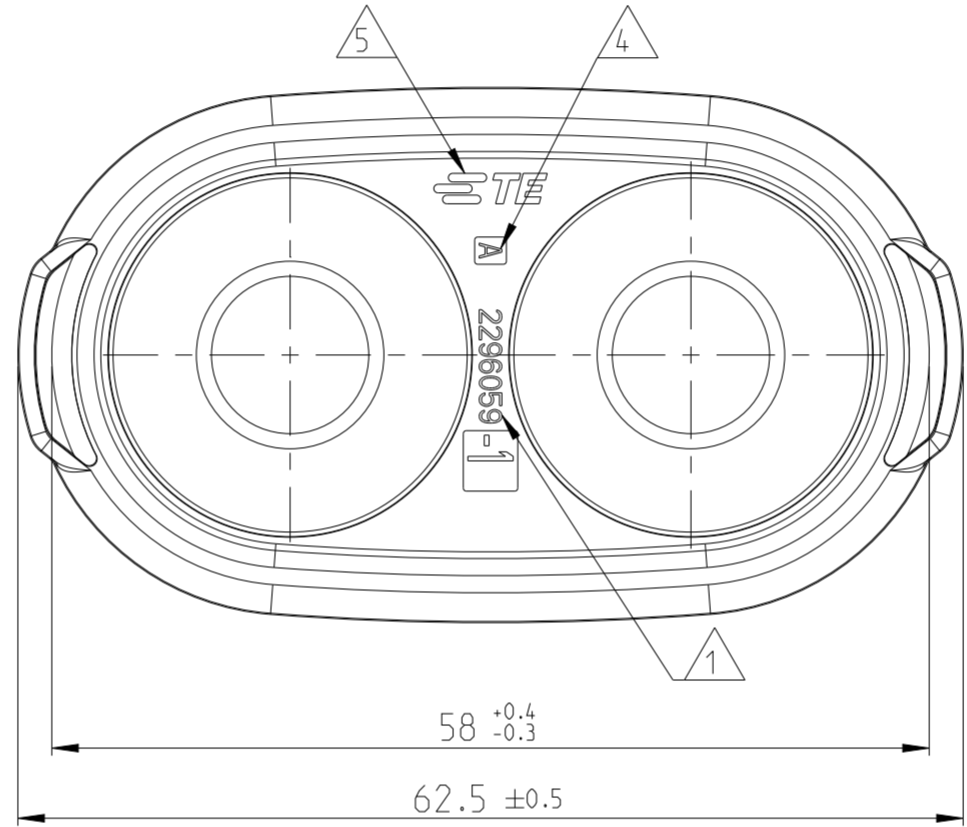
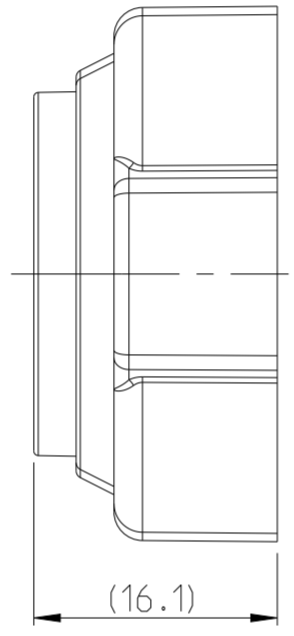
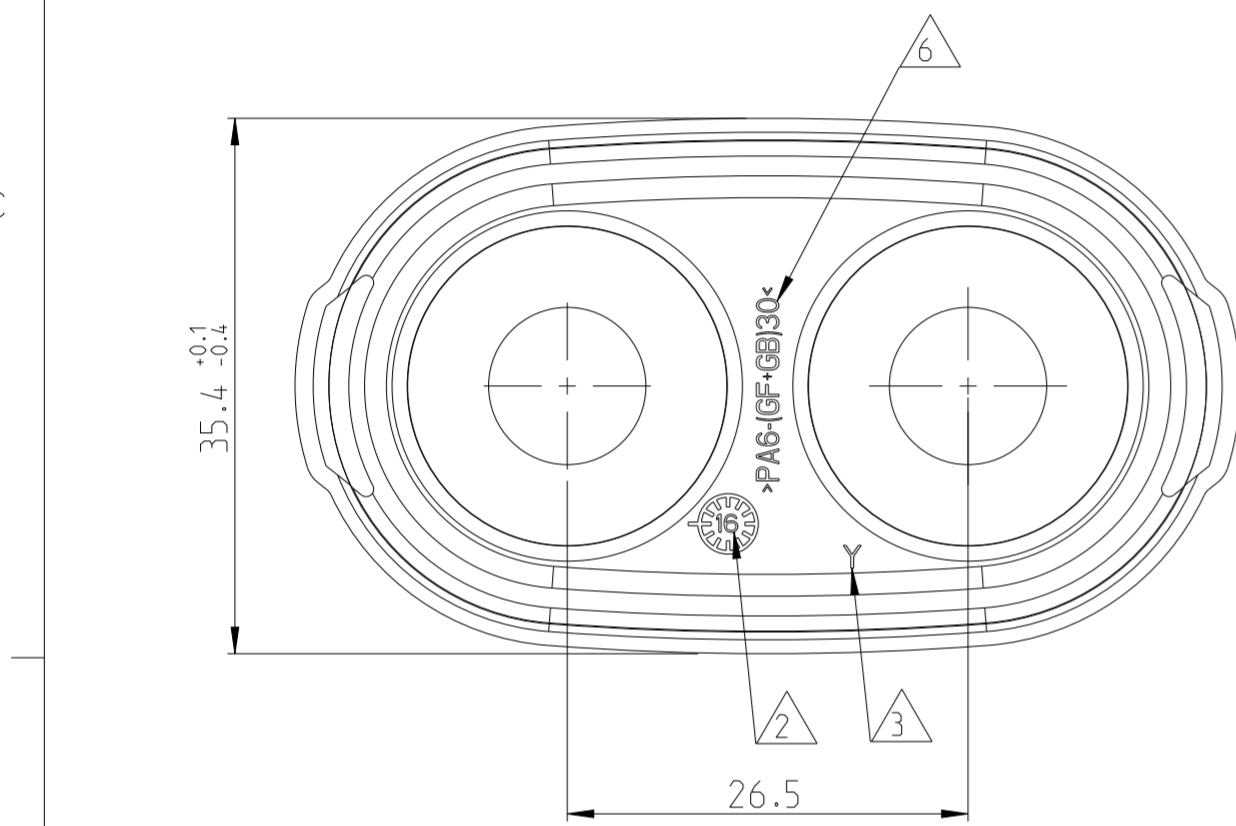


REVISIONS					
P	LTR	DESCRIPTION	DATE	DWN	APVD
A1		TOLERANCE ADDED TO THE DIMENSION 35.4	18FEB2020	SSM	FW I
A2		-6 REMOVED, 5-2296059-4 NEW VARIANT ADDED	27MAY2020	RC	SK
A3		2296059-5 VARIANT MADE ACTIVE	14DEC2020	TD	DWE
A4		DRAWING UPDATE	13DEC2022	PK	DWE
B		5-2296059-4 VARIANT IS OBSOLETE	10JAN2024	VR	JN

- NOTES
- 1 TE PART NUMBER
 - 2 PRODUCTION DATE WITH DATE INSERT MONTH/YEAR
 - 3 CAVITY MARKING
 - 4 PART REVISION
 - 5 TE-TRADEMARK
 - 6 MATERIAL MARKING
 - 7 BULK PACKAGING IN PLASTIC BAG AND CORRUGATED SHIPPING BOX



TE-PART-NO.	REV.	DESCRIPTION	MATERIAL	FOR CABLE DIAM. [mm]	FOR CABLE CROSS SECTION [mm ²]	WEIGHT [g]	COLOUR
5-2296059-4	A	COVER, CABLE SEAL, COMBO DC	PA6 (GF+GB)30	15.2...15.8	50	6.47	BLACK
2296059-5	A	COVER, CABLE SEAL, COMBO DC	PA6 (GF+GB)30	17.4...18.2	70	6.20	BLACK
2296059-4	A	COVER, CABLE SEAL, COMBO DC	PA6 (GF+GB)30	15.2...15.8	50	6.47	ORANGE SIMILAR RAL 2003
2296059-3	A	COVER, CABLE SEAL, COMBO DC	PA6 (GF+GB)30	13.8...14.4	35	6.61	
2296059-2	A	COVER, CABLE SEAL, COMBO DC	PA6 (GF+GB)30	11.6...12.2	25	6.80	
2296059-1	A	COVER, CABLE SEAL, COMBO DC	PA6 (GF+GB)30	9.6...10.2	16	6.95	

THIS DRAWING IS A CONTROLLED DOCUMENT. DIMENSIONING AND TOLERANCING PER GPS (ISO STANDARDS).

DIMENSIONS: mm

TOLERANCES UNLESS OTHERWISE SPECIFIED: DIN 16742 TG5

0 PLC	±
1 PLC	±
2 PLC	±
3 PLC	±
4 PLC	±
ANGLES	±
FINISH	-

MATERIAL: SEE TABLE

APPROVALS:

DWN	Vishwa A	30 JUN 2016
CHK	F. Wittrock	30 JUN 2016
APVD	F. Wittrock	30 JUN 2016

TE Connectivity

NAME: COVER, CABLE SEAL, COMBO DC

SIZE: A2

CAGE CODE: -

DRAWING NO: C-2296059

RESTRICTED TO: -

SCALE: 5:1

SHEET: 1 OF 1

REV: B