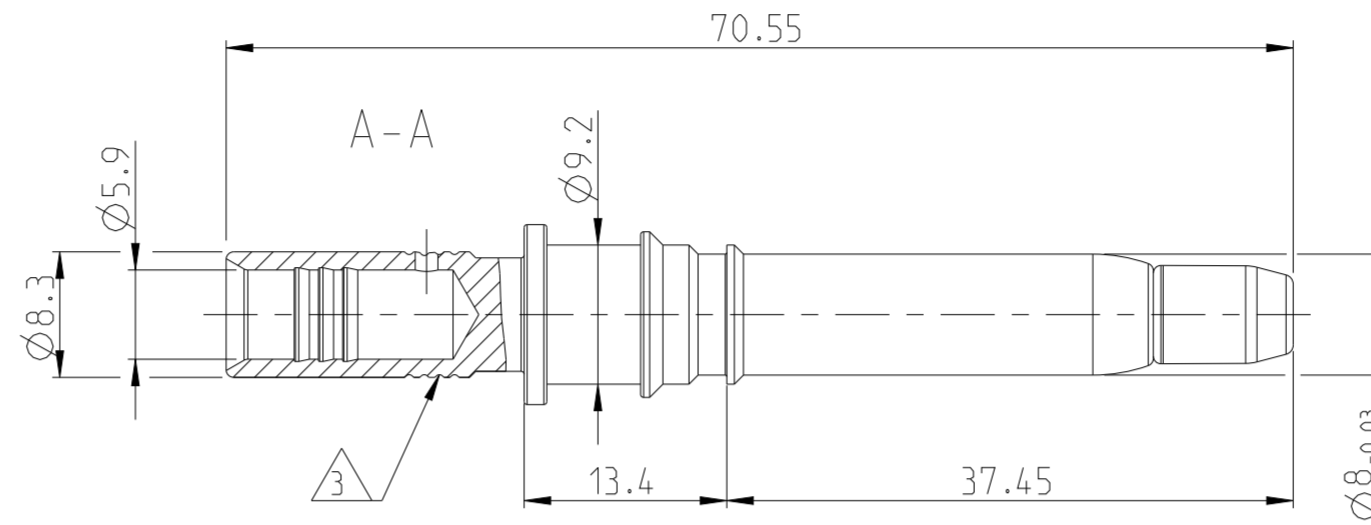
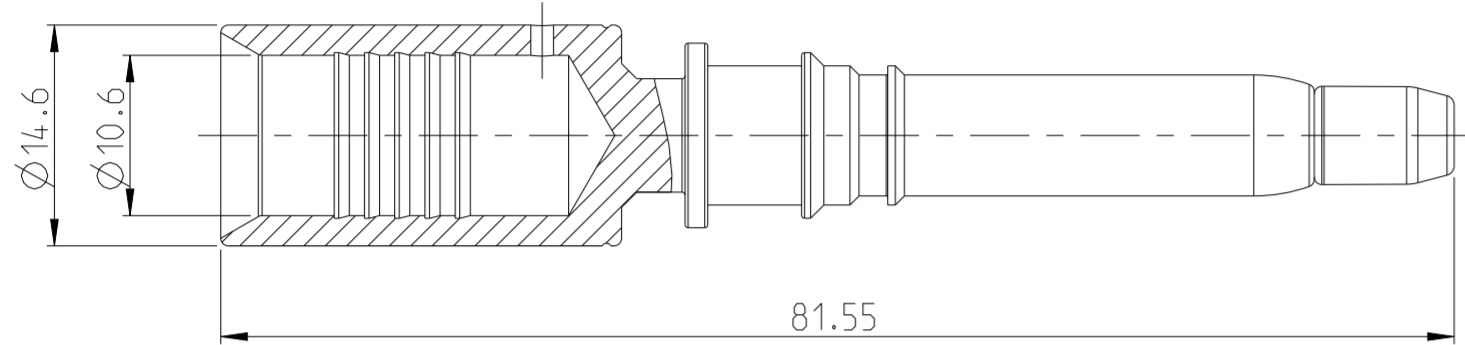


THIS DRAWING IS UNPUBLISHED. RELEASED FOR PUBLICATION
 © COPYRIGHT copyright_date BY - ALL RIGHTS RESERVED.

REVISIONS					
P	LTR	DESCRIPTION	DATE	DWN	APVD
1		NEW DRAWING	21JUN2016	AHM	FWI
A		PRODUCTION RELEASE AND NOTES UPDATED	12MAY2017	AHM	FWI
A1		NEW NOTE 5 AND NEW PN 2-2292542-4	23MAR2020	FRAN	SCH.
A2		NEW VARIANT 8-2292542-1	15JUL2024	FRAN	SCHI

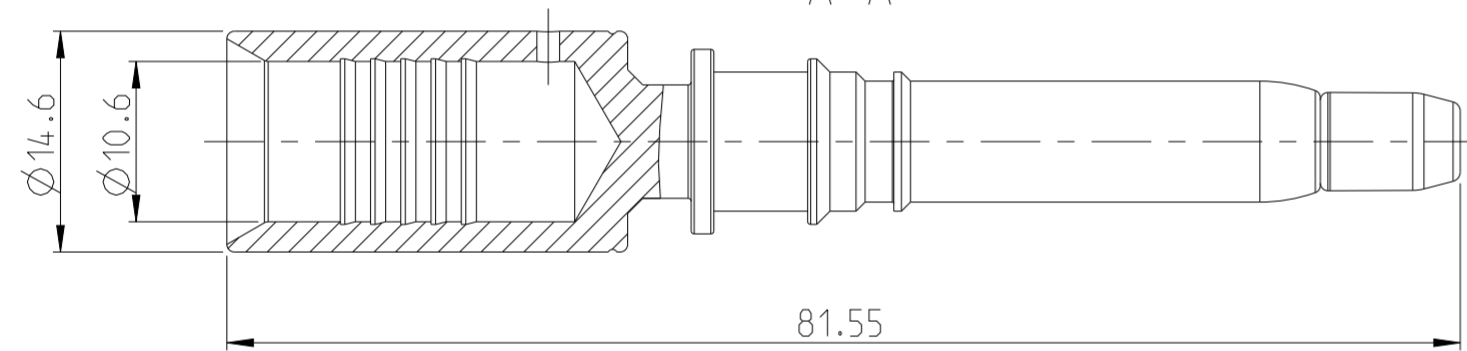
AS SHOWN
 8-2292542-1
 A-A



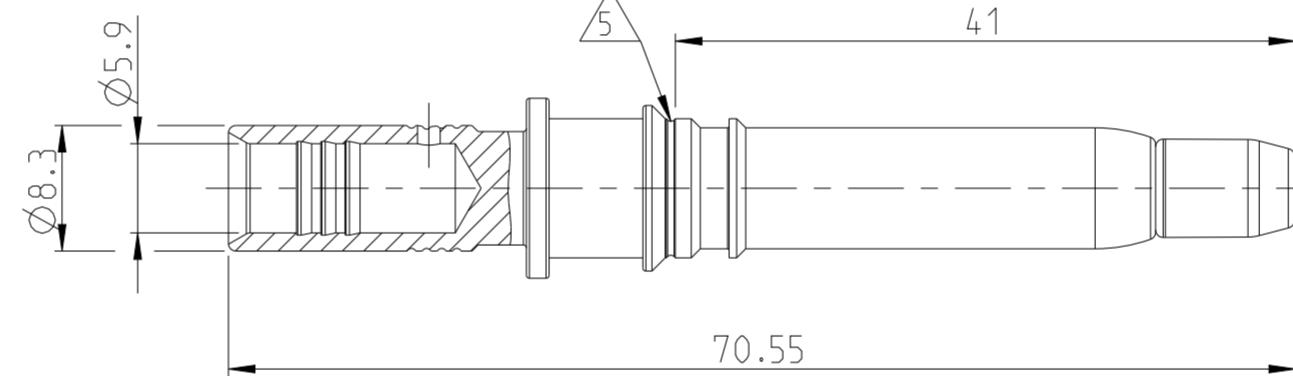
NOTES
 Bemerkungen

- IN CASE OF DISCREPANCIES BETWEEN GERMAN AND ENGLISH TEXT THE GERMAN TEXT IS BINDING
 Im Falle von Unterschieden zwischen dem deutschen und dem englischen Text ist der deutsche Text verbindlich
- HANDLING OF PARTS ONLY WITH GLOVES
 Teile dürfen nur mit Handschuhen angefasst werden
- CROSS SECTION MARKING:
 NUMBER OF GROOVES ACC. NUMBER AFTER BASIS-PN
 Kennzeichnung Leitungsquerschnitt:
 Anzahl Einstiche gemäss Nachstrichzahl
- TRAY PACKAGING IN CORRUGATED SHIPPING BOX
 Tray-Verpackung im Versandkarton
- PLATING MARKING: 6µm Ag
 Kennzeichnung Beschichtung: 6µm Ag

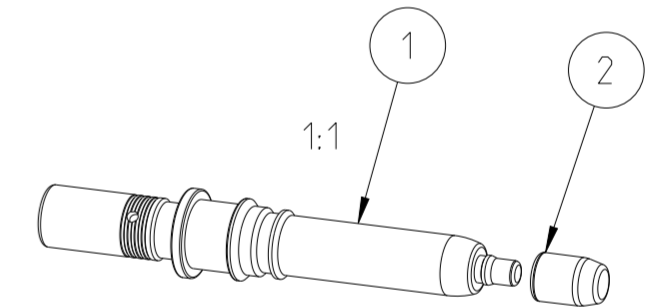
AS SHOWN
 2292542-1
 A-A



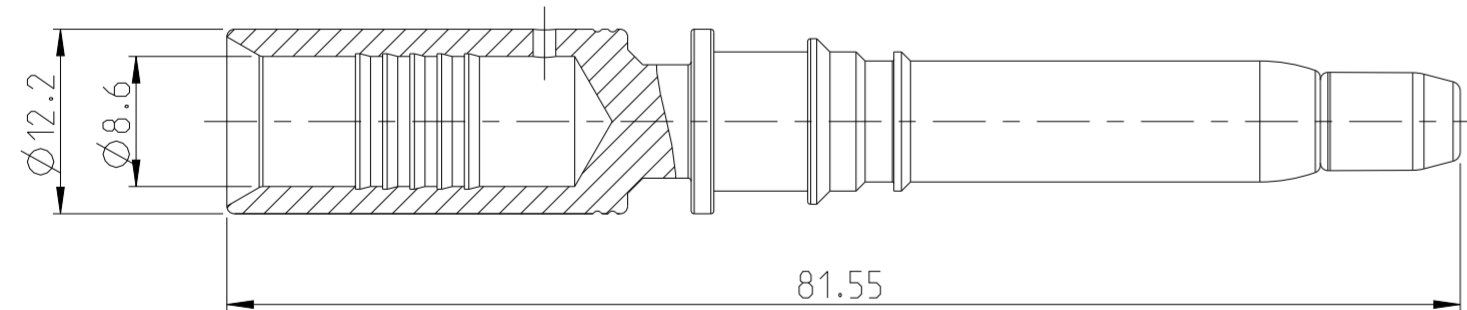
AS SHOWN
 2-2292542-4
 A-A



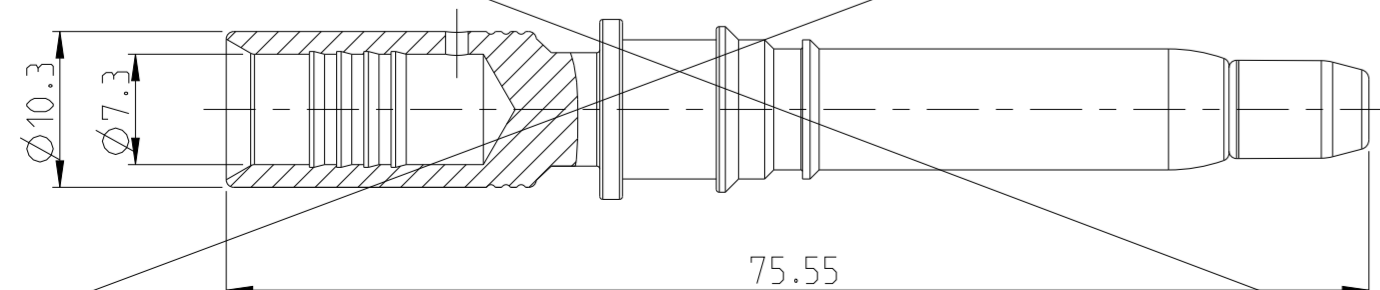
AS SHOWN
 2292542-4



AS SHOWN
 2292542-2
 A-A



AS SHOWN
 2292542-3
 A-A



A2

QTY	REV	REV	REV	REV	REV	DESCRIPTION	GROOVES	ITEM NO	WEIGHT (g)	MATERIAL	SURFACE/COLOR
1	1	1	1	1	1	FINGER PROTECTION CAP	-	2	0.25	PA66/6 FR	BLACK
1	-	-	-	-	-	PIN CONTACT DIA 8.0. 50mm ²	1	1	43	COPPER	SILVER
-	1	-	-	-	-	PIN CONTACT DIA 8.0. 16mm ² , 6µm Ag	4	1	26.10	BRASS	
-	-	1	-	-	-	PIN CONTACT DIA 8.0. 16mm ²	-	-	25.27	-	
-	-	-	1	-	-	PIN CONTACT DIA 8.0. 25mm ²	3	1	31.41	-	
-	-	-	-	1	-	PIN CONTACT DIA 8.0. 35mm ²	2	1	37.9	COPPER	
-	-	-	-	-	1	PIN CONTACT DIA 8.0. 50mm ²	1	1	43	-	-
8-2292542-1	2-2292542-4	2292542-4	2292542-3	2292542-2	2292542-1	DESCRIPTION	GROOVES	ITEM NO	WEIGHT (g)	MATERIAL	SURFACE/COLOR
A	A	A	A	A	A	REVISION OF EACH ASSEMBLY COMPONENT					
QUANTITY PER ASSEMBLY											

THIS DRAWING IS A CONTROLLED DOCUMENT. DIMENSIONING AND TOLERANCING PER GPS (ISO STANDARDS).
 DIMENSIONS: mm
 TOLERANCES UNLESS OTHERWISE SPECIFIED: DIN ISO 2768-mK
 0 PLC ±
 1 PLC ±
 2 PLC ±
 3 PLC ±
 4 PLC ±
 ANGLES ±
 FINISH

DWN Aravind H.M. 21JUN2016
 CHK Vishwa A 21JUN2016
 APVD F. Wittrock 21JUN2016
 PRODUCT SPEC
 APPLICATION SPEC 114-94403
 WEIGHT -
 CUSTOMER DRAWING

STE TE Connectivity
 NAME PIN, DIA 8.0, L/N, ASSY
 SIZE A2
 CAGE CODE -
 DRAWING NO C-2292542
 RESTRICTED TO -
 SCALE 2:1
 SHEET 1 OF 1
 REV A2