

# Upper part of housing - ME 17,5 OTP-MSTBO PS KMGY



2279253

<https://www.phoenixcontact.com/pc/products/2279253>

Please be informed that the data shown in this PDF document is generated from our Online Catalog. Please find the complete data in the user documentation. Our General Terms of Use for Downloads are valid.

DIN rail housing, Upper housing part for connectors with header, width: 17.6 mm, height: 99 mm, depth: 45.85 mm, color: light grey (7035)



## Your advantages

- Tool-free mounting
- Available in overall widths from 12.5 mm to 90 mm, modular extension possible
- Flammability rating V0 in accordance with UL 94
- Variety of connection technology
- Can be mounted on the DIN rail
- With integrated or DIN-rail-mountable bus connector as an option

## Commercial Data

Item number	2279253
Packing unit	10 pc
Minimum order quantity	250 pc
Product Key	ACHAAD
Catalog Page	Page 670 (C-1-2013)
GTIN	4046356299503
Weight per Piece (including packing)	7.2 g
Weight per Piece (excluding packing)	7.2 g
Customs tariff number	85389099
Country of origin	DE

# Upper part of housing - ME 17,5 OTP-MSTBO PS KMGY

2279253

<https://www.phoenixcontact.com/pc/products/2279253>

## Technical Data


### Notes

Assembly instruction:	Refer to the data sheet for the range in the download area.
-----------------------	-------------------------------------------------------------

### Product properties

Product type	Upper housing part
Number of positions	12 16
Max. number of positions	16 (pitch: 3.5 mm) 12 (pitch: 5 mm) 8 (pitch: 7.25 mm)
Number of rows	2
Type	Upper housing part for connectors with header
Housing type	DIN rail housing
Ventilation openings present	no
Housing series	ME 2 (Both sides)

### Dimensions

Dimensional drawing	
Width	17.6 mm
Height	99 mm
Depth	45.85 mm
Depth from base support surface	38.5 mm

### PCB design

PCB thickness	1.4 mm ... 1.8 mm
---------------	-------------------

### Material specifications

Color	light grey (7035)
Flammability rating according to UL 94	V0
CTI according to IEC 60112	600
Surface characteristics	untreated
Housing material	Polyamide

### Environmental and real-life conditions

# Upper part of housing - ME 17,5 OTP-MSTBO PS KMGY



2279253

<https://www.phoenixcontact.com/pc/products/2279253>

## Vibration test

Specification	IEC 60068-2-6:2007-12
Frequency	10 - 150 - 10 Hz
Sweep speed	1 octave/min
Amplitude	0.15 mm (10 Hz ... 58.1 Hz)
Acceleration	2g (58.1 Hz ... 150 Hz)
Test duration per axis	2.5 h
Test directions	X-, Y- and Z-axis

## Glow-wire test

Specification	IEC 60695-2-11:2014-02
Temperature	850 °C
Time of exposure	30 s

## Thermal stability / ball thrust test

Specification	IEC 60695-10-2:2014-02
Temperature	125 °C
Test duration	1 h
Force	20 N

## Mechanical strength / tumbling barrel

Specification	IEC 60998-1:2002-12
Height of fall	50 cm
Frequency	10

## Shocks

Specification	IEC 60068-2-27:2008-02
Pulse shape	Half-sine
Acceleration	15g
Shock duration	11 ms
Number of shocks per direction	3
Test directions	X-, Y- and Z-axis (pos. and neg.)

## Degree of protection (IP code)

Specification	IEC 60529:1989-11 + AMD 1:1999-11 + AMD 2:2013-08
---------------	---------------------------------------------------

## Ambient conditions

Max. IP code to attain	IP20
Ambient temperature (operation)	-40 °C ... 105 °C (depending on power dissipation)
Ambient temperature (storage/transport)	-40 °C ... 55 °C
Ambient temperature (assembly)	-5 °C ... 100 °C
Relative humidity (storage/transport)	80 %

## PCB data

Number of PCB holders	1
Type of PCB mount	Slot

# Upper part of housing - ME 17,5 OTP-MSTBO PS KMGY



2279253

<https://www.phoenixcontact.com/pc/products/2279253>

Thickness of the PCB	1.4 mm ... 1.8 mm
----------------------	-------------------

## Mounting

Mounting type	Latching with lower housing part
Mounting position	Vertical (horizontal DIN rail)

## Packaging specifications

Type of packaging	packed in cardboard
Outer packaging type	Carton

# Upper part of housing - ME 17,5 OTP-MSTBO PS KMGY

2279253

<https://www.phoenixcontact.com/pc/products/2279253>

## Drawings

Dimensional drawing



Schematic figure for illustrating the item dimensions. The figure is not of the desired product. For further details, refer to the product drawings in the "Downloads" tab.

# Upper part of housing - ME 17,5 OTP-MSTBO PS KMGY



2279253

<https://www.phoenixcontact.com/pc/products/2279253>

## Approvals



**UL Recognized**

Approval ID: FILE E 240868

# Upper part of housing - ME 17,5 OTP-MSTBO PS KMGY



2279253

<https://www.phoenixcontact.com/pc/products/2279253>

## Classifications

### ECLASS

ECLASS-9.0	27182702
ECLASS-10.0.1	27182702
ECLASS-11.0	27182702

### ETIM

ETIM 8.0	EC001031
----------	----------

### UNSPSC

UNSPSC 21.0	31261500
-------------	----------

# Upper part of housing - ME 17,5 OTP-MSTBO PS KMGY



2279253

<https://www.phoenixcontact.com/pc/products/2279253>

## Environmental Product Compliance

China RoHS	Environmentally friendly use period: unlimited = EFUP-e
	No hazardous substances above threshold values

# Upper part of housing - ME 17,5 OTP-MSTBO PS KMGY

2279253

<https://www.phoenixcontact.com/pc/products/2279253>

## Mandatory Accessories

### Insertion plate

Insertion plate - ME 17,5 PLATE-MSTBO KMGY - 2279266

<https://www.phoenixcontact.com/pc/products/2279266>

DIN rail housing, Fitted cover for ME upper parts ME...OTP...MSTBO..., width: 15 mm, height: 54 mm, depth: 4.75 mm, color: light grey (7035)



---

### PCB header

PCB header - MCO 1,5/ 4-G1R-3,5 KMGY - 2278377

<https://www.phoenixcontact.com/pc/products/2278377>



PCB headers, nominal cross section: 1.5 mm<sup>2</sup>, color: light grey, nominal current: 8 A, rated voltage (III/2): 160 V, contact surface: Tin, type of contact: Male connector, number of potentials: 4, number of rows: 1, number of positions: 4, number of connections: 4, product range: MCO 1,5/-G1R, pitch: 3.5 mm, mounting: Wave soldering, pin layout: Linear pinning, solder pin [P]: 2.75 mm, locking: without, Product with pin output on right side

# Upper part of housing - ME 17,5 OTP-MSTBO PS KMGY

2279253

<https://www.phoenixcontact.com/pc/products/2279253>

## PCB header

PCB header - MCO 1,5/ 4-G1L-3,5 KMGY - 2278364

<https://www.phoenixcontact.com/pc/products/2278364>



PCB headers, nominal cross section: 1.5 mm<sup>2</sup>, color: light grey, nominal current: 8 A, rated voltage (III/2): 160 V, contact surface: Tin, type of contact: Male connector, number of potentials: 4, number of rows: 1, number of positions: 4, number of connections: 4, product range: MCO 1,5/..-G1L, pitch: 3.5 mm, mounting: Wave soldering, pin layout: Linear pinning, solder pin [P]: 2.75 mm, locking: without, type of packaging: packed in cardboard, Product with pin output on left side

---

## PCB connector

PCB connector - MC 1,5/ 4-ST-3,5 - 1840382

<https://www.phoenixcontact.com/pc/products/1840382>



PCB connector, nominal cross section: 1.5 mm<sup>2</sup>, color: green, nominal current: 8 A, rated voltage (III/2): 160 V, contact surface: Tin, type of contact: Female connector, number of potentials: 4, number of rows: 1, number of positions: 4, number of connections: 4, product range: MC 1,5/..-ST, pitch: 3.5 mm, connection method: Screw connection with tension sleeve, screw head form: L Slotted, conductor/PCB connection direction: 0 °, number of solder pins per potential: 1, plug-in system: COMBICON MC 1,5, locking: without, mounting: without, type of packaging: packed in cardboard

# Upper part of housing - ME 17,5 OTP-MSTBO PS KMGY



2279253

<https://www.phoenixcontact.com/pc/products/2279253>

## PCB connector

PCB connector - MC 1,5/ 4-ST-3,5 BK AU - 1835244

<https://www.phoenixcontact.com/pc/products/1835244>



PCB connector, nominal cross section: 1.5 mm<sup>2</sup>, color: black, nominal current: 8 A, rated voltage (III/2): 160 V, contact surface: Gold, type of contact: Female connector, number of potentials: 4, number of rows: 1, number of positions: 4, number of connections: 4, product range: MC 1,5/...-ST, pitch: 3.5 mm, connection method: Screw connection with tension sleeve, screw head form: L Slotted, conductor/PCB connection direction: 0 °, number of solder pins per potential: 1, plug-in system: COMBICON MC 1,5, locking: without, mounting: without, type of packaging: packed in cardboard

---

## PCB connector

PCB connector - MC 1,5/ 4-ST-3,5 YE - 1703434

<https://www.phoenixcontact.com/pc/products/1703434>



PCB connector, nominal cross section: 1.5 mm<sup>2</sup>, color: yellow, nominal current: 8 A, rated voltage (III/2): 160 V, contact surface: Tin, type of contact: Female connector, number of potentials: 4, number of rows: 1, number of positions: 4, number of connections: 4, product range: MC 1,5/...-ST, pitch: 3.5 mm, connection method: Screw connection with tension sleeve, screw head form: L Slotted, conductor/PCB connection direction: 0 °, number of solder pins per potential: 1, plug-in system: COMBICON MC 1,5, locking: without, mounting: without, type of packaging: packed in cardboard

# Upper part of housing - ME 17,5 OTP-MSTBO PS KMGY

2279253

<https://www.phoenixcontact.com/pc/products/2279253>

## PCB connector

PCB connector - MC 1,5/ 4-ST-3,5 GY7035 - 1769074

<https://www.phoenixcontact.com/pc/products/1769074>



PCB connector, nominal cross section: 1.5 mm<sup>2</sup>, color: light grey, nominal current: 8 A, rated voltage (III/2): 160 V, contact surface: Tin, type of contact: Female connector, number of potentials: 4, number of rows: 1, number of positions: 4, number of connections: 4, product range: MC 1,5/...-ST, pitch: 3.5 mm, connection method: Screw connection with tension sleeve, screw head form: L Slotted, conductor/PCB connection direction: 0 °, number of solder pins per potential: 1, plug-in system: COMBICON MC 1,5, locking: without, mounting: without, type of packaging: packed in cardboard

---

## PCB connector

PCB connector - MC 1,5/ 4-ST-3,5 BU - 1724310

<https://www.phoenixcontact.com/pc/products/1724310>



PCB connector, nominal cross section: 1.5 mm<sup>2</sup>, color: blue, nominal current: 8 A, rated voltage (III/2): 160 V, contact surface: Tin, type of contact: Female connector, number of potentials: 4, number of rows: 1, number of positions: 4, number of connections: 4, product range: MC 1,5/...-ST, pitch: 3.5 mm, connection method: Screw connection with tension sleeve, screw head form: L Slotted, conductor/PCB connection direction: 0 °, number of solder pins per potential: 1, plug-in system: COMBICON MC 1,5, locking: without, mounting: without, type of packaging: packed in cardboard

# Upper part of housing - ME 17,5 OTP-MSTBO PS KMGY

2279253

<https://www.phoenixcontact.com/pc/products/2279253>

## PCB connector

PCB connector - MC 1,5/ 4-ST-3,5 GY - 1747559

<https://www.phoenixcontact.com/pc/products/1747559>



PCB connector, nominal cross section: 1.5 mm<sup>2</sup>, color: gray, nominal current: 8 A, rated voltage (III/2): 160 V, contact surface: Tin, type of contact: Female connector, number of potentials: 4, number of rows: 1, number of positions: 4, number of connections: 4, product range: MC 1,5/...-ST, pitch: 3.5 mm, connection method: Screw connection with tension sleeve, screw head form: L Slotted, conductor/PCB connection direction: 0 °, number of solder pins per potential: 1, plug-in system: COMBICON MC 1,5, locking: without, mounting: without, type of packaging: packed in cardboard

---

## PCB connector

PCB connector - MC 1,5/ 4-ST-3,5 AU - 1845086

<https://www.phoenixcontact.com/pc/products/1845086>



PCB connector, nominal cross section: 1.5 mm<sup>2</sup>, color: green, nominal current: 8 A, rated voltage (III/2): 160 V, contact surface: Gold, type of contact: Female connector, number of potentials: 4, number of rows: 1, number of positions: 4, number of connections: 4, product range: MC 1,5/...-ST, pitch: 3.5 mm, connection method: Screw connection with tension sleeve, screw head form: L Slotted, conductor/PCB connection direction: 0 °, number of solder pins per potential: 1, plug-in system: COMBICON MC 1,5, locking: without, mounting: without, type of packaging: packed in cardboard

# Upper part of housing - ME 17,5 OTP-MSTBO PS KMGY

2279253

<https://www.phoenixcontact.com/pc/products/2279253>

## Printed-circuit board connector

Printed-circuit board connector - FMC 1,5/ 4-ST-3,5 - 1952283

<https://www.phoenixcontact.com/pc/products/1952283>



PCB connector, nominal cross section: 1.5 mm<sup>2</sup>, color: green, nominal current: 8 A, rated voltage (III/2): 160 V, contact surface: Tin, type of contact: Female connector, number of potentials: 4, number of rows: 1, number of positions: 4, number of connections: 4, product range: FMC 1,5/..-ST, pitch: 3.5 mm, connection method: Push-in spring connection, conductor/PCB connection direction: 0 °, plug-in system: COMBICON MC 1,5, locking: without, mounting: without, type of packaging: packed in cardboard

---

## Printed-circuit board connector

Printed-circuit board connector - FMC 1,5/ 4-ST-3,5 GY AU - 1746631

<https://www.phoenixcontact.com/pc/products/1746631>



PCB connector, nominal cross section: 1.5 mm<sup>2</sup>, color: gray, nominal current: 8 A, rated voltage (III/2): 160 V, contact surface: Gold, type of contact: Female connector, number of potentials: 4, number of rows: 1, number of positions: 4, number of connections: 4, product range: FMC 1,5/..-ST, pitch: 3.5 mm, connection method: Push-in spring connection, conductor/PCB connection direction: 0 °, number of solder pins per potential: 1, plug-in system: COMBICON MC 1,5, locking: without, mounting: without, type of packaging: packed in cardboard

# Upper part of housing - ME 17,5 OTP-MSTBO PS KMGY

2279253

<https://www.phoenixcontact.com/pc/products/2279253>

## Printed-circuit board connector

Printed-circuit board connector - FMC 1,5/ 4-ST-3,5 BK - 1704999

<https://www.phoenixcontact.com/pc/products/1704999>



PCB connector, nominal cross section: 1.5 mm<sup>2</sup>, color: black, nominal current: 8 A, rated voltage (III/2): 160 V, contact surface: Tin, type of contact: Female connector, number of potentials: 4, number of rows: 1, number of positions: 4, number of connections: 4, product range: FMC 1,5/..-ST, pitch: 3.5 mm, connection method: Push-in spring connection, conductor/PCB connection direction: 0 °, plug-in system: COMBICON MC 1,5, locking: without, mounting: without, type of packaging: packed in cardboard

---

## Printed-circuit board connector

Printed-circuit board connector - FMC 1,5/ 4-ST-3,5 GY - 1711257

<https://www.phoenixcontact.com/pc/products/1711257>



PCB connector, nominal cross section: 1.5 mm<sup>2</sup>, color: gray, nominal current: 8 A, rated voltage (III/2): 160 V, contact surface: Tin, type of contact: Female connector, number of potentials: 4, number of rows: 1, number of positions: 4, number of connections: 4, product range: FMC 1,5/..-ST, pitch: 3.5 mm, connection method: Push-in spring connection, conductor/PCB connection direction: 0 °, plug-in system: COMBICON MC 1,5, locking: without, mounting: without, type of packaging: packed in cardboard

# Upper part of housing - ME 17,5 OTP-MSTBO PS KMGY

2279253

<https://www.phoenixcontact.com/pc/products/2279253>

## Printed-circuit board connector

Printed-circuit board connector - FMC 1,5/ 4-ST-3,5 GY7035 - 1773578

<https://www.phoenixcontact.com/pc/products/1773578>



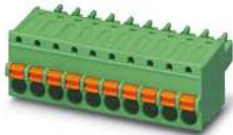
PCB connector, nominal cross section: 1.5 mm<sup>2</sup>, color: light grey, nominal current: 8 A, rated voltage (III/2): 160 V, contact surface: Tin, type of contact: Female connector, number of potentials: 4, number of rows: 1, number of positions: 4, number of connections: 4, product range: FMC 1,5/..-ST, pitch: 3.5 mm, connection method: Push-in spring connection, conductor/PCB connection direction: 0 °, plug-in system: COMBICON MC 1,5, locking: without, mounting: without, type of packaging: packed in cardboard

---

## PCB connector

PCB connector - FK-MCP 1,5/ 4-ST-3,5 - 1939934

<https://www.phoenixcontact.com/pc/products/1939934>



PCB connector, nominal cross section: 1.5 mm<sup>2</sup>, color: green, nominal current: 8 A, rated voltage (III/2): 160 V, contact surface: Tin, type of contact: Female connector, number of potentials: 4, number of rows: 1, number of positions: 4, number of connections: 4, product range: FK-MCP 1,5/..-ST, pitch: 3.5 mm, connection method: Push-in spring connection, conductor/PCB connection direction: 0 °, number of solder pins per potential: 1, plug-in system: COMBICON MC 1,5, locking: without, mounting: without, type of packaging: packed in cardboard

# Upper part of housing - ME 17,5 OTP-MSTBO PS KMGY

2279253

<https://www.phoenixcontact.com/pc/products/2279253>

## PCB connector

PCB connector - FK-MCP 1,5/ 4-ST-3,5 GY7035 - 1773594

<https://www.phoenixcontact.com/pc/products/1773594>



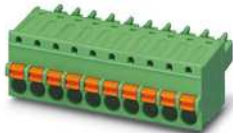
PCB connector, nominal cross section: 1.5 mm<sup>2</sup>, color: light grey, nominal current: 8 A, rated voltage (III/2): 160 V, contact surface: Tin, type of contact: Female connector, number of potentials: 4, number of rows: 1, number of positions: 4, number of connections: 4, product range: FK-MCP 1,5/...-ST, pitch: 3.5 mm, connection method: Push-in spring connection, conductor/PCB connection direction: 0 °, number of solder pins per potential: 1, plug-in system: COMBICON MC 1,5, locking: without, mounting: without, type of packaging: packed in cardboard

---

## PCB connector

PCB connector - FK-MCP 1,5/ 4-ST-3,5 AU - 1708286

<https://www.phoenixcontact.com/pc/products/1708286>



PCB connector, nominal cross section: 1.5 mm<sup>2</sup>, color: green, nominal current: 8 A, rated voltage (III/2): 160 V, contact surface: Gold, type of contact: Female connector, number of potentials: 4, number of rows: 1, number of positions: 4, number of connections: 4, product range: FK-MCP 1,5/...-ST, pitch: 3.5 mm, connection method: Push-in spring connection, conductor/PCB connection direction: 0 °, plug-in system: COMBICON MC 1,5, locking: without, mounting: without, type of packaging: packed in cardboard

# Upper part of housing - ME 17,5 OTP-MSTBO PS KMGY

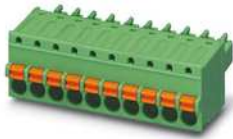
2279253

<https://www.phoenixcontact.com/pc/products/2279253>

## PCB connector

PCB connector - FK-MCP 1,5/ 4-ST-3,5 VPE1000 - 1703939

<https://www.phoenixcontact.com/pc/products/1703939>



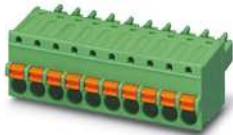
PCB connector, nominal cross section: 1.5 mm<sup>2</sup>, color: green, nominal current: 8 A, rated voltage (III/2): 160 V, contact surface: Tin, type of contact: Female connector, number of potentials: 4, number of rows: 1, number of positions: 4, number of connections: 4, product range: FK-MCP 1,5/...-ST, pitch: 3.5 mm, connection method: Push-in spring connection, conductor/PCB connection direction: 0 °, number of solder pins per potential: 1, plug-in system: COMBICON MC 1,5, locking: without, mounting: without, type of packaging: packed in cardboard

---

## PCB connector

PCB connector - FK-MCP 1,5/ 4-ST-3,5 BK - 1800272

<https://www.phoenixcontact.com/pc/products/1800272>



PCB connector, nominal cross section: 1.5 mm<sup>2</sup>, color: black, nominal current: 8 A, rated voltage (III/2): 160 V, contact surface: Tin, type of contact: Female connector, number of potentials: 4, number of rows: 1, number of positions: 4, number of connections: 4, product range: FK-MCP 1,5/...-ST, pitch: 3.5 mm, connection method: Push-in spring connection, conductor/PCB connection direction: 0 °, number of solder pins per potential: 1, plug-in system: COMBICON MC 1,5, locking: without, mounting: without, type of packaging: packed in cardboard

# Upper part of housing - ME 17,5 OTP-MSTBO PS KMGY

2279253

<https://www.phoenixcontact.com/pc/products/2279253>

## PCB header

PCB header - MSTBO 2,5/ 3 G1L THRR44 BK AU - 1077611

<https://www.phoenixcontact.com/pc/products/1077611>



PCB headers, color: black, contact surface: Gold, type of contact: Male connector, number of positions: 3, product range: MSTBO 2,5/..-G1L THR Au, pitch: 5 mm, mounting: THR soldering, pin layout: Linear pinning, solder pin [P]: 2.5 mm, number of solder pins per potential: 1, type of packaging: 44 mm wide tape, Article with lateral pin exit

---

## PCB header

PCB header - MSTBO 2,5/ 3 G1R THRR44 BK AU - 1077612

<https://www.phoenixcontact.com/pc/products/1077612>



PCB headers, color: black, contact surface: Gold, type of contact: Male connector, number of positions: 3, product range: MSTBO 2,5/..-G1R THR Au, pitch: 5 mm, mounting: THR soldering, pin layout: Linear pinning, solder pin [P]: 2.5 mm, number of solder pins per potential: 1, type of packaging: 44 mm wide tape, Product with pin output on right side

# Upper part of housing - ME 17,5 OTP-MSTBO PS KMGY

2279253

<https://www.phoenixcontact.com/pc/products/2279253>

## PCB header

PCB header - MSTBO 2,5/ 3 G1L THRR44 BK - 2915216

<https://www.phoenixcontact.com/pc/products/2915216>



PCB headers, nominal cross section: 2.5 mm<sup>2</sup>, color: black, nominal current: 16 A, rated voltage (III/2): 320 V, contact surface: Tin, type of contact: Male connector, number of rows: 1, number of positions: 3, product range: MSTBO 2,5/..-G1L-THR, pitch: 5 mm, mounting: THR soldering, pin layout: Linear pinning, solder pin [P]: 2.5 mm, number of solder pins per potential: 1, plug-in system: COMBICON MSTB 2,5, locking: without, type of packaging: 44 mm wide tape, Article with lateral pin exit

---

## PCB header

PCB header - MSTBO 2,5/ 3 G1R THRR44 BK - 2915229

<https://www.phoenixcontact.com/pc/products/2915229>



PCB headers, nominal cross section: 2.5 mm<sup>2</sup>, color: black, nominal current: 16 A, rated voltage (III/2): 320 V, contact surface: Tin, type of contact: Male connector, number of rows: 1, number of positions: 3, product range: MSTBO 2,5/..-G1R-THR, pitch: 5 mm, mounting: THR soldering, pin layout: Linear pinning, solder pin [P]: 2.5 mm, number of solder pins per potential: 1, plug-in system: COMBICON MSTB 2,5, locking: without, type of packaging: 44 mm wide tape, Article with lateral pin exit

# Upper part of housing - ME 17,5 OTP-MSTBO PS KMGY

2279253

<https://www.phoenixcontact.com/pc/products/2279253>

## PCB header

PCB header - MSTBO 2,5/ 3-G1L KMGY AU - 1077605

<https://www.phoenixcontact.com/pc/products/1077605>



PCB headers, color: light grey, contact surface: Gold, number of rows: 1, number of positions: 3, product range: MSTBO 2,5/..-G1L Au, pitch: 5 mm, mounting: Wave soldering, pin layout: Linear pinning, solder pin [P]: 3.5 mm, number of solder pins per potential: 1, locking: without, type of packaging: packed in cardboard, Product with pin output on left side

---

## PCB header

PCB header - MSTBO 2,5/ 3-G1R KMGY AU - 1077606

<https://www.phoenixcontact.com/pc/products/1077606>



PCB headers, color: light grey, contact surface: Gold, number of rows: 1, number of positions: 3, product range: MSTBO 2,5/..-G1R Au, pitch: 5 mm, mounting: Wave soldering, pin layout: Linear pinning, solder pin [P]: 3.5 mm, number of solder pins per potential: 1, locking: without, type of packaging: packed in cardboard, Product with pin output on right side

# Upper part of housing - ME 17,5 OTP-MSTBO PS KMGY

2279253

<https://www.phoenixcontact.com/pc/products/2279253>

## PCB header

PCB header - MSTBO 2,5/ 3-G1L KMGY - 2853750

<https://www.phoenixcontact.com/pc/products/2853750>



PCB headers, nominal cross section: 2.5 mm<sup>2</sup>, color: light grey, nominal current: 12 A, rated voltage (III/2): 320 V, contact surface: Tin, type of contact: Male connector, number of potentials: 3, number of rows: 1, number of positions: 3, number of connections: 3, product range: MSTBO 2,5/..-G1L, pitch: 5 mm, mounting: Wave soldering, pin layout: Linear pinning, solder pin [P]: 3.5 mm, number of solder pins per potential: 1, locking: without, type of packaging: packed in cardboard, Product with pin output on left side

---

## PCB header

PCB header - MSTBO 2,5/ 3-G1PR GY7035 - 2200329

<https://www.phoenixcontact.com/pc/products/2200329>



PCB headers, nominal cross section: 2.5 mm<sup>2</sup>, color: light grey, nominal current: 16 A, rated voltage (III/2): 320 V, contact surface: Tin, type of contact: Male connector, number of rows: 1, number of positions: 3, product range: MSTBO 2,5/..-G1PR, pitch: 5 mm, mounting: Wave soldering, pin layout: Linear pinning, solder pin [P]: 3.5 mm, number of solder pins per potential: 1, locking: without, type of packaging: packed in cardboard, Product with pin output on right side

# Upper part of housing - ME 17,5 OTP-MSTBO PS KMGY

2279253

<https://www.phoenixcontact.com/pc/products/2279253>

## PCB header

PCB header - MSTBO 2,5/ 3-G1PL GY7035 - 2200328

<https://www.phoenixcontact.com/pc/products/2200328>



PCB headers, nominal cross section: 2.5 mm<sup>2</sup>, color: light grey, nominal current: 16 A, rated voltage (III/2): 320 V, contact surface: Tin, type of contact: Male connector, number of rows: 1, number of positions: 3, product range: MSTBO 2,5/..-G1PL, pitch: 5 mm, mounting: Wave soldering, pin layout: Linear pinning, solder pin [P]: 3.5 mm, number of solder pins per potential: 1, locking: without, type of packaging: packed in cardboard, Product with pin output on left side

---

## PCB header

PCB header - MSTBO 2,5/ 3-G1R - 1861031

<https://www.phoenixcontact.com/pc/products/1861031>



PCB headers, nominal cross section: 2.5 mm<sup>2</sup>, color: green, nominal current: 12 A, rated voltage (III/2): 320 V, contact surface: Tin, type of contact: Male connector, number of potentials: 3, number of rows: 1, number of positions: 3, number of connections: 3, product range: MSTBO 2,5/..-G1R, pitch: 5 mm, mounting: Wave soldering, pin layout: Linear pinning, solder pin [P]: 3.5 mm, number of solder pins per potential: 1, locking: without, type of packaging: packed in cardboard, Product with pin output on right side

# Upper part of housing - ME 17,5 OTP-MSTBO PS KMGY

2279253

<https://www.phoenixcontact.com/pc/products/2279253>

## PCB header

PCB header - MSTBO 2,5/ 3-G1R KMGY - 2853763

<https://www.phoenixcontact.com/pc/products/2853763>



PCB headers, nominal cross section: 2.5 mm<sup>2</sup>, color: light grey, nominal current: 12 A, rated voltage (III/2): 320 V, contact surface: Tin, type of contact: Male connector, number of potentials: 3, number of rows: 1, number of positions: 3, number of connections: 3, product range: MSTBO 2,5/..-G1R, pitch: 5 mm, mounting: Wave soldering, pin layout: Linear pinning, solder pin [P]: 3.5 mm, number of solder pins per potential: 1, locking: without, type of packaging: packed in cardboard, Product with pin output on right side

---

## PCB header

PCB header - MSTBO 2,5/ 3-G1R LBGY - 2200382

<https://www.phoenixcontact.com/pc/products/2200382>



PCB headers, nominal cross section: 2.5 mm<sup>2</sup>, color: pebble gray, nominal current: 12 A, rated voltage (III/2): 320 V, type of contact: Male connector, number of potentials: 3, number of rows: 1, number of positions: 3, number of connections: 3, product range: MSTBO 2,5/..-G1R, pitch: 5 mm, mounting: Wave soldering, pin layout: Linear pinning, solder pin [P]: 3.5 mm, number of solder pins per potential: 1, locking: without, type of packaging: packed in cardboard, Product with pin output on right side

# Upper part of housing - ME 17,5 OTP-MSTBO PS KMGY

2279253

<https://www.phoenixcontact.com/pc/products/2279253>

## PCB header

PCB header - MSTBO 2,5/ 3-G1L - 1861028

<https://www.phoenixcontact.com/pc/products/1861028>



PCB headers, nominal cross section: 2.5 mm<sup>2</sup>, color: green, nominal current: 12 A, rated voltage (III/2): 320 V, contact surface: Tin, type of contact: Male connector, number of rows: 1, number of positions: 3, product range: MSTBO 2,5/..-G1L, pitch: 5 mm, mounting: Wave soldering, pin layout: Linear pinning, solder pin [P]: 3.5 mm, number of solder pins per potential: 1, locking: without, type of packaging: packed in cardboard, Product with pin output on left side

---

## PCB header

PCB header - MSTBO 2,5/ 3-G1L YE - 2200111

<https://www.phoenixcontact.com/pc/products/2200111>



PCB headers, nominal cross section: 2.5 mm<sup>2</sup>, color: yellow, nominal current: 12 A, rated voltage (III/2): 320 V, type of contact: Male connector, number of potentials: 3, number of rows: 1, number of positions: 3, number of connections: 3, product range: MSTBO 2,5/..-G1L, pitch: 5 mm, mounting: Wave soldering, pin layout: Linear pinning, solder pin [P]: 3.5 mm, number of solder pins per potential: 1, locking: without, type of packaging: packed in cardboard, Product with pin output on left side

# Upper part of housing - ME 17,5 OTP-MSTBO PS KMGY

2279253

<https://www.phoenixcontact.com/pc/products/2279253>

## PCB header

PCB header - MSTBO 2,5/ 3-G1L OG - 2200371

<https://www.phoenixcontact.com/pc/products/2200371>



PCB headers, nominal cross section: 2.5 mm<sup>2</sup>, color: orange, nominal current: 12 A, rated voltage (III/2): 320 V, type of contact: Male connector, number of potentials: 3, number of rows: 1, number of positions: 3, number of connections: 3, product range: MSTBO 2,5/..-G1L, pitch: 5 mm, mounting: Wave soldering, pin layout: Linear pinning, solder pin [P]: 3.5 mm, number of solder pins per potential: 1, locking: without, type of packaging: packed in cardboard, Product with pin output on left side

---

## PCB header

PCB header - MSTBO 2,5/ 3-G1L GYWH - 2278487

<https://www.phoenixcontact.com/pc/products/2278487>



PCB headers, nominal cross section: 2.5 mm<sup>2</sup>, color: grey-white, nominal current: 12 A, rated voltage (III/2): 320 V, type of contact: Male connector, number of potentials: 3, number of rows: 1, number of positions: 3, number of connections: 3, product range: MSTBO 2,5/..-G1L, pitch: 5 mm, mounting: Wave soldering, pin layout: Linear pinning, solder pin [P]: 3.5 mm, number of solder pins per potential: 1, locking: without, type of packaging: packed in cardboard, Product with pin output on left side

# Upper part of housing - ME 17,5 OTP-MSTBO PS KMGY



2279253

<https://www.phoenixcontact.com/pc/products/2279253>

## PCB header

PCB header - MSTBO 2,5/ 3-G1R YE - 2200110

<https://www.phoenixcontact.com/pc/products/2200110>



PCB headers, nominal cross section: 2.5 mm<sup>2</sup>, color: yellow, nominal current: 12 A, rated voltage (III/2): 320 V, type of contact: Male connector, number of potentials: 3, number of rows: 1, number of positions: 3, number of connections: 3, product range: MSTBO 2,5/..-G1R, pitch: 5 mm, mounting: Wave soldering, pin layout: Linear pinning, solder pin [P]: 3.5 mm, number of solder pins per potential: 1, locking: without, type of packaging: packed in cardboard, Product with pin output on right side

---

## PCB header

PCB header - MSTBO 2,5/ 3-G1L RD - 2695918

<https://www.phoenixcontact.com/pc/products/2695918>



PCB headers, nominal cross section: 2.5 mm<sup>2</sup>, color: red, nominal current: 12 A, rated voltage (III/2): 320 V, type of contact: Male connector, number of potentials: 3, number of rows: 1, number of positions: 3, number of connections: 3, product range: MSTBO 2,5/..-G1L, pitch: 5 mm, mounting: Wave soldering, pin layout: Linear pinning, solder pin [P]: 3.5 mm, number of solder pins per potential: 1, locking: without, type of packaging: packed in cardboard, Product with pin output on left side

# Upper part of housing - ME 17,5 OTP-MSTBO PS KMGY

2279253

<https://www.phoenixcontact.com/pc/products/2279253>

## PCB header

PCB header - MSTBO 2,5/ 3-G1R OG - 2200377

<https://www.phoenixcontact.com/pc/products/2200377>



PCB headers, nominal cross section: 2.5 mm<sup>2</sup>, color: orange, nominal current: 12 A, rated voltage (III/2): 320 V, type of contact: Male connector, number of potentials: 3, number of rows: 1, number of positions: 3, number of connections: 3, product range: MSTBO 2,5/..-G1R, pitch: 5 mm, mounting: Wave soldering, pin layout: Linear pinning, solder pin [P]: 3.5 mm, number of solder pins per potential: 1, locking: without, type of packaging: packed in cardboard, Product with pin output on right side

---

## PCB header

PCB header - MSTBO 2,5/ 3-G1R GYWH - 2278490

<https://www.phoenixcontact.com/pc/products/2278490>



PCB headers, nominal cross section: 2.5 mm<sup>2</sup>, color: grey-white, nominal current: 12 A, rated voltage (III/2): 320 V, type of contact: Male connector, number of potentials: 3, number of rows: 1, number of positions: 3, number of connections: 3, product range: MSTBO 2,5/..-G1R, pitch: 5 mm, mounting: Wave soldering, pin layout: Linear pinning, solder pin [P]: 3.5 mm, number of solder pins per potential: 1, locking: without, type of packaging: packed in cardboard, Product with pin output on right side

# Upper part of housing - ME 17,5 OTP-MSTBO PS KMGY

2279253

<https://www.phoenixcontact.com/pc/products/2279253>

## PCB header

PCB header - MSTBO 2,5/ 3-G1R RD - 2278296

<https://www.phoenixcontact.com/pc/products/2278296>



PCB headers, nominal cross section: 2.5 mm<sup>2</sup>, color: red, nominal current: 12 A, rated voltage (III/2): 320 V, type of contact: Male connector, number of potentials: 3, number of rows: 1, number of positions: 3, number of connections: 3, product range: MSTBO 2,5/-G1R, pitch: 5 mm, mounting: Wave soldering, pin layout: Linear pinning, solder pin [P]: 3.5 mm, number of solder pins per potential: 1, locking: without, type of packaging: packed in cardboard, Product with pin output on right side

---

## PCB header

PCB header - MSTBO 2,5/ 3-G1R BU - 2854733

<https://www.phoenixcontact.com/pc/products/2854733>



PCB headers, nominal cross section: 2.5 mm<sup>2</sup>, color: blue, nominal current: 12 A, rated voltage (III/2): 320 V, type of contact: Male connector, number of potentials: 3, number of rows: 1, number of positions: 3, number of connections: 3, product range: MSTBO 2,5/-G1R, pitch: 5 mm, mounting: Wave soldering, pin layout: Linear pinning, solder pin [P]: 3.5 mm, number of solder pins per potential: 1, locking: without, type of packaging: packed in cardboard, Product with pin output on right side

# Upper part of housing - ME 17,5 OTP-MSTBO PS KMGY

2279253

<https://www.phoenixcontact.com/pc/products/2279253>

## PCB header

PCB header - MSTBO 2,5/ 3-G1L GY - 2909549

<https://www.phoenixcontact.com/pc/products/2909549>



PCB headers, nominal cross section: 2.5 mm<sup>2</sup>, color: gray, nominal current: 12 A, rated voltage (III/2): 320 V, type of contact: Male connector, number of potentials: 3, number of rows: 1, number of positions: 3, number of connections: 3, product range: MSTBO 2,5/..-G1L, pitch: 5 mm, mounting: Wave soldering, pin layout: Linear pinning, solder pin [P]: 3.5 mm, number of solder pins per potential: 1, locking: without, type of packaging: packed in cardboard, Product with pin output on left side

---

## PCB header

PCB header - MSTBO 2,5/ 3-G1L BU - 2854720

<https://www.phoenixcontact.com/pc/products/2854720>



PCB headers, nominal cross section: 2.5 mm<sup>2</sup>, color: blue, nominal current: 12 A, rated voltage (III/2): 320 V, type of contact: Male connector, number of potentials: 3, number of rows: 1, number of positions: 3, number of connections: 3, product range: MSTBO 2,5/..-G1L, pitch: 5 mm, mounting: Wave soldering, pin layout: Linear pinning, solder pin [P]: 3.5 mm, number of solder pins per potential: 1, locking: without, type of packaging: packed in cardboard, Product with pin output on left side

# Upper part of housing - ME 17,5 OTP-MSTBO PS KMGY

2279253

<https://www.phoenixcontact.com/pc/products/2279253>

## PCB header

PCB header - MSTBO 2,5/ 3-G1R BK - 2909633

<https://www.phoenixcontact.com/pc/products/2909633>



PCB headers, nominal cross section: 2.5 mm<sup>2</sup>, color: black, nominal current: 12 A, rated voltage (III/2): 320 V, type of contact: Male connector, number of potentials: 3, number of rows: 1, number of positions: 3, number of connections: 3, product range: MSTBO 2,5/..-G1R, pitch: 5 mm, mounting: Wave soldering, pin layout: Linear pinning, solder pin [P]: 3.5 mm, number of solder pins per potential: 1, locking: without, type of packaging: packed in cardboard, Product with pin output on right side

---

## PCB header

PCB header - MSTBO 2,5/ 3-G1L BK - 2909646

<https://www.phoenixcontact.com/pc/products/2909646>



PCB headers, nominal cross section: 2.5 mm<sup>2</sup>, color: black, nominal current: 12 A, rated voltage (III/2): 320 V, type of contact: Male connector, number of potentials: 3, number of rows: 1, number of positions: 3, number of connections: 3, product range: MSTBO 2,5/..-G1L, pitch: 5 mm, mounting: Wave soldering, pin layout: Linear pinning, solder pin [P]: 3.5 mm, number of solder pins per potential: 1, locking: without, type of packaging: packed in cardboard, Product with pin output on left side

# Upper part of housing - ME 17,5 OTP-MSTBO PS KMGY

2279253

<https://www.phoenixcontact.com/pc/products/2279253>

## PCB header

PCB header - MSTBO 2,5/ 3-G1R GY - 2909552

<https://www.phoenixcontact.com/pc/products/2909552>



PCB headers, nominal cross section: 2.5 mm<sup>2</sup>, color: gray, nominal current: 12 A, rated voltage (III/2): 320 V, type of contact: Male connector, number of potentials: 3, number of rows: 1, number of positions: 3, number of connections: 3, product range: MSTBO 2,5/-G1R, pitch: 5 mm, mounting: Wave soldering, pin layout: Linear pinning, solder pin [P]: 3.5 mm, number of solder pins per potential: 1, locking: without, type of packaging: packed in cardboard, Product with pin output on right side

---

## PCB header

PCB header - MSTBO 2,5/ 3-G1R BUGY - 2853158

<https://www.phoenixcontact.com/pc/products/2853158>



PCB headers, nominal cross section: 2.5 mm<sup>2</sup>, color: blue grey, nominal current: 12 A, rated voltage (III/2): 320 V, type of contact: Male connector, number of potentials: 3, number of rows: 1, number of positions: 3, number of connections: 3, product range: MSTBO 2,5/-G1R, pitch: 5 mm, mounting: Wave soldering, pin layout: Linear pinning, solder pin [P]: 3.5 mm, number of solder pins per potential: 1, locking: without, type of packaging: packed in cardboard, Product with pin output on right side

# Upper part of housing - ME 17,5 OTP-MSTBO PS KMGY

2279253

<https://www.phoenixcontact.com/pc/products/2279253>

## PCB header

PCB header - MSTBO 2,5/ 3-G1L BUGY - 2853145

<https://www.phoenixcontact.com/pc/products/2853145>



PCB headers, nominal cross section: 2.5 mm<sup>2</sup>, color: blue grey, nominal current: 12 A, rated voltage (III/2): 320 V, type of contact: Male connector, number of potentials: 3, number of rows: 1, number of positions: 3, number of connections: 3, product range: MSTBO 2,5/..-G1L, pitch: 5 mm, mounting: Wave soldering, pin layout: Linear pinning, solder pin [P]: 3.5 mm, number of solder pins per potential: 1, locking: without, type of packaging: packed in cardboard, Product with pin output on left side

---

## Printed-circuit board connector

Printed-circuit board connector - PSPT 2,5/ 3-ST KMGY - 2202345

<https://www.phoenixcontact.com/pc/products/2202345>



PCB connector, nominal cross section: 2.5 mm<sup>2</sup>, color: light grey, nominal current: 16 A, rated voltage (III/2): 300 V, contact surface: Tin, type of contact: Female connector, number of potentials: 3, number of rows: 1, number of positions: 3, number of connections: 3, product range: PSPT 2,5/..-ST, pitch: 5 mm, connection method: Push-in spring connection, conductor/PCB connection direction: 0 °, locking clip: - Locking clip, locking: without, mounting: without, type of packaging: packed in cardboard, Color of the spring lever: orange

# Upper part of housing - ME 17,5 OTP-MSTBO PS KMGY

2279253

<https://www.phoenixcontact.com/pc/products/2279253>

## Printed-circuit board connector

Printed-circuit board connector - PSPT 2,5/ 3-ST BU - 1064204

<https://www.phoenixcontact.com/pc/products/1064204>



PCB connector, nominal cross section: 2.5 mm<sup>2</sup>, color: blue, nominal current: 16 A, rated voltage (III/2): 300 V, type of contact: Female connector, number of potentials: 3, number of rows: 1, number of positions: 3, number of connections: 3, product range: PSPT 2,5/..-ST, pitch: 5 mm, connection method: Push-in spring connection, conductor/PCB connection direction: 0 °, locking clip: - Locking clip, locking: without, mounting: without, Color of the spring lever: orange

---

## Printed-circuit board connector

Printed-circuit board connector - PSPT 2,5/ 3-ST GY - 1064205

<https://www.phoenixcontact.com/pc/products/1064205>



PCB connector, nominal cross section: 2.5 mm<sup>2</sup>, color: light grey, nominal current: 16 A, rated voltage (III/2): 300 V, type of contact: Female connector, number of rows: 1, number of positions: 3, product range: PSPT 2,5/..-ST, pitch: 5 mm, connection method: Push-in spring connection, conductor/PCB connection direction: 0 °, locking clip: - Locking clip, locking: without, mounting: without, Color of the spring lever: orange

# Upper part of housing - ME 17,5 OTP-MSTBO PS KMGY

2279253

<https://www.phoenixcontact.com/pc/products/2279253>

## Printed-circuit board connector

Printed-circuit board connector - PSPT 2,5/ 3-ST GYBN - 2200876

<https://www.phoenixcontact.com/pc/products/2200876>



PCB connector, nominal cross section: 2.5 mm<sup>2</sup>, color: grey brown, nominal current: 16 A, rated voltage (III/2): 300 V, type of contact: Female connector, number of rows: 1, number of positions: 3, product range: PSPT 2,5/..-ST, pitch: 5 mm, connection method: Push-in spring connection, conductor/PCB connection direction: 0 °, locking clip: - Locking clip, locking: without, mounting: without, Color of the spring lever: orange

---

## Printed-circuit board connector

Printed-circuit board connector - MSTBT 2,5 HC/ 3-STP BK - 2200483

<https://www.phoenixcontact.com/pc/products/2200483>



PCB connector, nominal cross section: 2.5 mm<sup>2</sup>, color: black, nominal current: 16 A, rated voltage (III/2): 320 V, contact surface: Tin, type of contact: Female connector, number of rows: 1, number of positions: 3, product range: MSTBT 2,5 HC/..-STP, pitch: 5 mm, connection method: Screw connection with tension sleeve, conductor/PCB connection direction: 0 °, locking clip: - Locking clip, plug-in system: COMBICON MSTB 2,5 HC, locking: without, mounting: without, type of packaging: packed in cardboard

# Upper part of housing - ME 17,5 OTP-MSTBO PS KMGY

2279253

<https://www.phoenixcontact.com/pc/products/2279253>

## Printed-circuit board connector

Printed-circuit board connector - MSTBT 2,5 HC/ 3-STP GY7035 - 2200333

<https://www.phoenixcontact.com/pc/products/2200333>



PCB connector, nominal cross section: 2.5 mm<sup>2</sup>, color: light grey, nominal current: 16 A, rated voltage (III/2): 320 V, contact surface: Tin, type of contact: Female connector, number of rows: 1, number of positions: 3, product range: MSTBT 2,5 HC/...-STP, pitch: 5 mm, connection method: Screw connection with tension sleeve, conductor/PCB connection direction: 0 °, locking clip: - Locking clip, plug-in system: COMBICON MSTB 2,5 HC, locking: without, mounting: without, type of packaging: packed in cardboard

---

## Printed-circuit board connector

Printed-circuit board connector - MSTBT 2,5 HC/ 3-STP BU - 2203845

<https://www.phoenixcontact.com/pc/products/2203845>



PCB connector, nominal cross section: 2.5 mm<sup>2</sup>, color: blue, nominal current: 16 A, rated voltage (III/2): 320 V, contact surface: Tin, type of contact: Female connector, number of rows: 1, number of positions: 3, product range: MSTBT 2,5 HC/...-STP, pitch: 5 mm, connection method: Screw connection with tension sleeve, conductor/PCB connection direction: 0 °, locking clip: - Locking clip, plug-in system: COMBICON MSTB 2,5 HC, locking: without, mounting: without

# Upper part of housing - ME 17,5 OTP-MSTBO PS KMGY

2279253

<https://www.phoenixcontact.com/pc/products/2279253>

## PCB header

PCB header - GMSTBO 2,5 HV/ 2-GL-7,25 THR - 2199867

<https://www.phoenixcontact.com/pc/products/2199867>



PCB headers, nominal cross section: 2.5 mm<sup>2</sup>, color: black, nominal current: 16 A, rated voltage (III/2): 630 V, type of contact: Male connector, number of potentials: 2, number of rows: 1, number of positions: 2, number of connections: 2, product range: GMSTBO 2,5 HV, pitch: 7.25 mm, mounting: THR soldering, pin layout: Linear pinning, solder pin [P]: 2.1 mm, number of solder pins per potential: 1, plug-in system: COMBICON MSTB 2,5, Pin connector pattern alignment: Standard, type of packaging: packed in cardboard, Product with pin output on left side

---

## PCB header

PCB header - GMSTBO 2,5 HV/ 2-GL-7,25THRR32 - 2279703

<https://www.phoenixcontact.com/pc/products/2279703>



PCB headers, nominal cross section: 2.5 mm<sup>2</sup>, color: black, nominal current: 16 A, rated voltage (III/2): 630 V, type of contact: Male connector, number of potentials: 2, number of rows: 1, number of positions: 2, number of connections: 2, product range: GMSTBO 2,5 HV, pitch: 7.25 mm, mounting: THR soldering, pin layout: Linear pinning, solder pin [P]: 2.1 mm, number of solder pins per potential: 1, plug-in system: COMBICON MSTB 2,5, Pin connector pattern alignment: Standard, type of packaging: 32 mm wide tape, Product with pin output on left side

# Upper part of housing - ME 17,5 OTP-MSTBO PS KMGY

2279253

<https://www.phoenixcontact.com/pc/products/2279253>

## PCB header

PCB header - GMSTBO 2,5 HV/ 2-GR-7,25 THR - 2199760

<https://www.phoenixcontact.com/pc/products/2199760>



PCB headers, nominal cross section: 2.5 mm<sup>2</sup>, color: black, nominal current: 16 A, rated voltage (III/2): 630 V, type of contact: Male connector, number of potentials: 2, number of rows: 1, number of positions: 2, number of connections: 2, product range: GMSTBO 2,5 HV, pitch: 7.25 mm, mounting: THR soldering, pin layout: Linear pinning, solder pin [P]: 2.1 mm, number of solder pins per potential: 1, plug-in system: COMBICON MSTB 2,5, Pin connector pattern alignment: Standard, type of packaging: packed in cardboard, Product with pin output on right side

---

## PCB header

PCB header - GMSTBO 2,5 HV/ 2-GR-7,25THRR32 - 2279606

<https://www.phoenixcontact.com/pc/products/2279606>



PCB headers, nominal cross section: 2.5 mm<sup>2</sup>, color: black, nominal current: 16 A, rated voltage (III/2): 630 V, type of contact: Male connector, number of potentials: 2, number of rows: 1, number of positions: 2, number of connections: 2, product range: GMSTBO 2,5 HV, pitch: 7.25 mm, mounting: THR soldering, pin layout: Linear pinning, solder pin [P]: 2.1 mm, number of solder pins per potential: 1, plug-in system: COMBICON MSTB 2,5, Pin connector pattern alignment: Standard, type of packaging: 32 mm wide tape, Product with pin output on right side

# Upper part of housing - ME 17,5 OTP-MSTBO PS KMGY

2279253

<https://www.phoenixcontact.com/pc/products/2279253>

## Printed-circuit board connector

Printed-circuit board connector - GMSTBT 2,5 HV/2-ST-7,25 GY7035 - 2199757

<https://www.phoenixcontact.com/pc/products/2199757>



PCB connector, nominal cross section: 2.5 mm<sup>2</sup>, color: light grey, nominal current: 16 A, rated voltage (III/2): 1000 V, contact surface: Tin, type of contact: Female connector, number of rows: 1, number of positions: 2, product range: GMSTBT 2,5 HV/..-ST, pitch: 7.25 mm, connection method: Screw connection with tension sleeve, conductor/PCB connection direction: 0 °, locking clip: - Locking clip, locking: without, mounting: without, type of packaging: packed in cardboard

---

## Components of electronic housing

Components of electronic housing - ME PS-17,5 MC TRANS - 2279842

<https://www.phoenixcontact.com/pc/products/2279842>

Ejector for COMBICON plug



# Upper part of housing - ME 17,5 OTP-MSTBO PS KMGY

2279253

<https://www.phoenixcontact.com/pc/products/2279253>

## Components of electronic housing

Components of electronic housing - ME PS-17,5 FMC TRANS - 2279949

<https://www.phoenixcontact.com/pc/products/2279949>

Ejector for COMBICON plug



---

## Accessories

### Filler plugs

Filler plugs - ME B-17,5 MSTBO KMGY - 2853776

<https://www.phoenixcontact.com/pc/products/2853776>



DIN rail housing, Filler plug for unoccupied terminal points (MSTBO), width: 15 mm, height: 19.05 mm, depth: 12.3 mm, color: light grey (7035)

# Upper part of housing - ME 17,5 OTP-MSTBO PS KMGY

2279253

<https://www.phoenixcontact.com/pc/products/2279253>

## Fiber optic

Fiber optic - HS LC-H-D3/ R1XC1 - 2202313

<https://www.phoenixcontact.com/pc/products/2202313>

Multiple light guides, passive, rigid, can be used for the ME, ME-MAX, ME-IO, ME PLC, and EH housing ranges (housing must be processed)



---

## Fiber optic

Fiber optic - HS LC-H-5X2/ R1XC1 - 2202314

<https://www.phoenixcontact.com/pc/products/2202314>

Single light guide, passive, rigid, can be used for the ME, ME-MAX, ME-IO, ME PLC, and EH housing ranges (housing must be processed)



# Upper part of housing - ME 17,5 OTP-MSTBO PS KMGY

2279253

<https://www.phoenixcontact.com/pc/products/2279253>

## Fiber optic

Fiber optic - HS LC-H-D3/ R2XC1-5,08 - 2202315

<https://www.phoenixcontact.com/pc/products/2202315>

Multiple light guides, passive, rigid, can be used for the ME, ME-MAX, ME-IO, ME PLC, and EH housing ranges (housing must be processed)



---

## Fiber optic

Fiber optic - HS LC-H-D2/ R2XC1-2,54 - 2202316

<https://www.phoenixcontact.com/pc/products/2202316>

Multiple light guides with glare protection, passive, rigid, can be used for the ME, ME-MAX, ME-IO, ME PLC, and EH housing ranges (housing must be processed)



# Upper part of housing - ME 17,5 OTP-MSTBO PS KMGY

2279253

<https://www.phoenixcontact.com/pc/products/2279253>

## Fiber optic

Fiber optic - HS LC-H-D2/ R2XC2-2,54 - 2202317

<https://www.phoenixcontact.com/pc/products/2202317>



Multiple light guides with glare protection, passive, rigid, can be used for the ME, ME-MAX, ME-IO, ME PLC, and EH housing ranges (housing must be processed)

---

## Fiber optic

Fiber optic - HS LC-H-D2/ R2XC5-2,54 - 2202318

<https://www.phoenixcontact.com/pc/products/2202318>



Multiple light guides with glare protection, passive, rigid, can be used for the ME, ME-MAX, ME-IO, ME PLC, and EH housing ranges (housing must be processed)

# Upper part of housing - ME 17,5 OTP-MSTBO PS KMGY

2279253

<https://www.phoenixcontact.com/pc/products/2279253>

## Fiber optic

Fiber optic - HS LC-H-D2/ R2XC10-2,54 - 2202319

<https://www.phoenixcontact.com/pc/products/2202319>

Multiple light guides with glare protection, passive, rigid, can be used for the ME, ME-MAX, ME-IO, ME PLC, and EH housing ranges (housing must be processed)



---

## Fiber optic

Fiber optic - HS LC-H-D2C/ R2XC1-2,54 - 1036658

<https://www.phoenixcontact.com/pc/products/1036658>

Multiple light guides with glare protection, passive, rigid, can be used for the ME, ME-MAX, ME-IO, ME PLC, and EH housing ranges (housing must be processed)



# Upper part of housing - ME 17,5 OTP-MSTBO PS KMGY

2279253

<https://www.phoenixcontact.com/pc/products/2279253>

## Fiber optic

Fiber optic - HS LC-H-D2C/ R2XC2-2,54 - 1043044

<https://www.phoenixcontact.com/pc/products/1043044>



Multiple light guides with glare protection, passive, rigid, can be used for the ME, ME-MAX, ME-IO, ME PLC, and EH housing ranges (housing must be processed)

---

## Fiber optic

Fiber optic - HS LC-H-D2C/ R2XC5-2,54 - 1071310

<https://www.phoenixcontact.com/pc/products/1071310>



Multiple light guides with glare protection, passive, rigid, can be used for the ME, ME-MAX, ME-IO, ME PLC, and EH housing ranges (housing must be processed)

# Upper part of housing - ME 17,5 OTP-MSTBO PS KMGY

2279253

<https://www.phoenixcontact.com/pc/products/2279253>

## Fiber optic

Fiber optic - HS LC-H-D2C/ R2XC10-2,54 - 1071314

<https://www.phoenixcontact.com/pc/products/1071314>

Multiple light guides with glare protection, passive, rigid, can be used for the ME, ME-MAX, ME-IO, ME PLC, and EH housing ranges (housing must be processed)



---

## Shield connection clamp

Shield connection clamp - ME-SAS - 2853899

<https://www.phoenixcontact.com/pc/products/2853899>

Shield connection clamp for terminal points starting from 2.5 mm<sup>2</sup>



# Upper part of housing - ME 17,5 OTP-MSTBO PS KMGY

2279253

<https://www.phoenixcontact.com/pc/products/2279253>

## Shield connection clamp

Shield connection clamp - ME-SAS MINI - 2200456

<https://www.phoenixcontact.com/pc/products/2200456>

Shield connection clamp for terminal points starting from 1.5 mm<sup>2</sup>



---

## Components of electronic housing

Components of electronic housing - ME PS-17,5 MC TRANS - 2279842

<https://www.phoenixcontact.com/pc/products/2279842>

Ejector for COMBICON plug



# Upper part of housing - ME 17,5 OTP-MSTBO PS KMGY



2279253

<https://www.phoenixcontact.com/pc/products/2279253>

## Components of electronic housing

Components of electronic housing - ME PS-17,5 FMC TRANS - 2279949

<https://www.phoenixcontact.com/pc/products/2279949>

Ejector for COMBICON plug



---

Phoenix Contact 2023 © - all rights reserved

<https://www.phoenixcontact.com>

PHOENIX CONTACT GmbH & Co. KG

Flachsmarktstraße 8

D-32825 Blomberg

+49 (0) 5235-3 00

[info@phoenixcontact.com](mailto:info@phoenixcontact.com)