



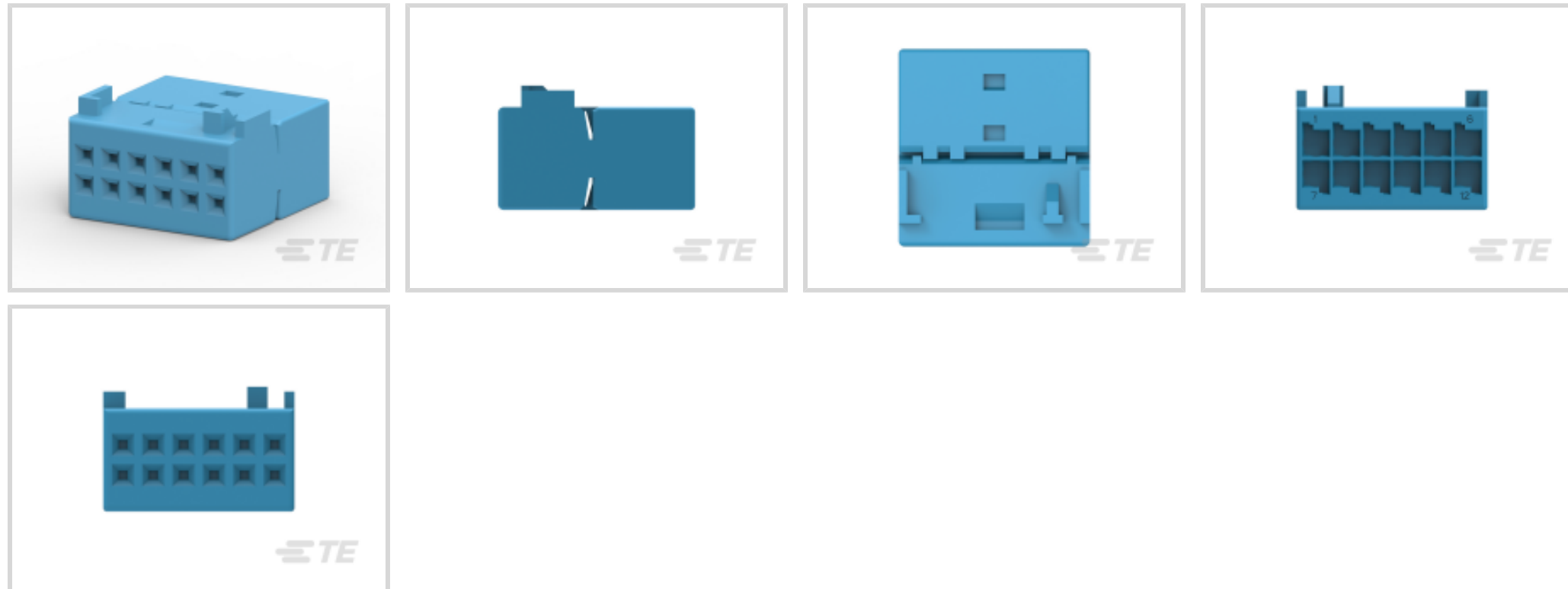
**MQS**

TE Internal #: 2278598-1

Housing for Female Terminals, Wire-to-Board, 12 Position, .1 in [2.54 mm] Centerline, Blue, Wire & Cable, Cable Mount (Free-Hanging), Key A, MQS

[View on TE.com >](#)

Connectors > Automotive Connectors > Automotive Housings > MQS, CONNECTOR HOUSING



Connector System: **Wire-to-Board**

Number of Positions: **12**

Connector & Housing Type: **Housing for Female Terminals**

Centerline (Pitch): **2.54 mm [ .1 in ]**

Sealable: **No**

[All MQS, CONNECTOR HOUSING \(435\)](#)

**Features**

**Product Type Features**

Mixed & Hybrid Connector	No
Connector Shape	Rectangular
Connector System	Wire-to-Board
Connector & Housing Type	Housing for Female Terminals
Sealable	No
Connector & Contact Terminates To	Wire & Cable
Primary Locking Feature	On the Terminal

**Configuration Features**

Number of Positions	12
Number of Rows	2

**Body Features**

Cable Exit Angle	180°
------------------	------



Primary Product Color	Blue
-----------------------	------

Connector & Keying Code	A
-------------------------	---

### Contact Features

Contact Size	.63mm
--------------	-------

Contact Type	Receptacle
--------------	------------

Mating Tab Width	.63 mm[.025 in]
------------------	-----------------

### Mechanical Attachment

Terminal Position Assurance	Yes
-----------------------------	-----

Strain Relief	With
---------------	------

Mating Alignment Type	Keyed
-----------------------	-------

Mating Alignment	With
------------------	------

Connector Mounting Type	Cable Mount (Free-Hanging)
-------------------------	----------------------------

### Housing Features

Housing Material	PBT GF
------------------	--------

Centerline (Pitch)	2.54 mm[.1 in]
--------------------	----------------

### Dimensions

Connector Height	16.5 mm[.65 in]
------------------	-----------------

Product Width	8.6 mm[.338 in]
---------------	-----------------

Product Length	16 mm[.63 in]
----------------	---------------

Row-to-Row Spacing	2.54 mm[.1 in]
--------------------	----------------

### Packaging Features

Packaging Method	Bag & Box
------------------	-----------

### Other

Serviceable	Yes
-------------	-----

Connector Position Assurance Capable	No
--------------------------------------	----

### Product Compliance

[For compliance documentation, visit the product page on TE.com>](#)

EU RoHS Directive 2011/65/EU	Compliant
------------------------------	-----------

EU ELV Directive 2000/53/EC	Compliant
-----------------------------	-----------

China RoHS 2 Directive MIIT Order No 32, 2016	No Restricted Materials Above Threshold
---	---

EU REACH Regulation (EC) No. 1907/2006	
--	--



Current ECHA Candidate List: JAN 2024  
(240)  
Candidate List Declared Against: JAN 2024  
(240)  
Does not contain REACH SVHC

Halogen Content  
Low Halogen - Br, Cl, F, I < 900 ppm per homogenous material. Also BFR/CFR/PVC Free

Solder Process Capability  
Not reviewed for solder process capability

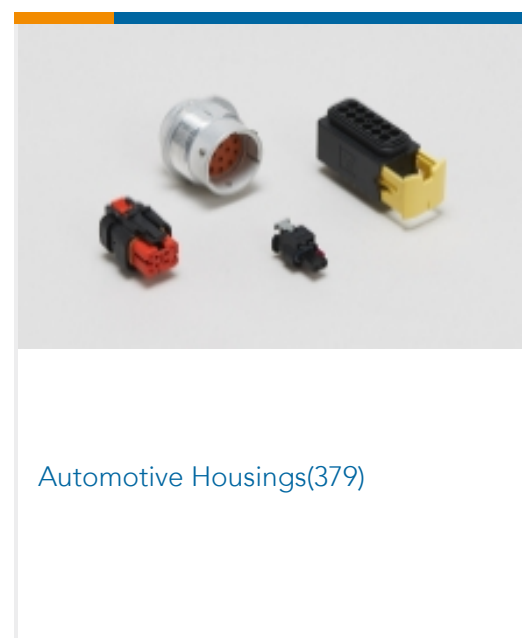
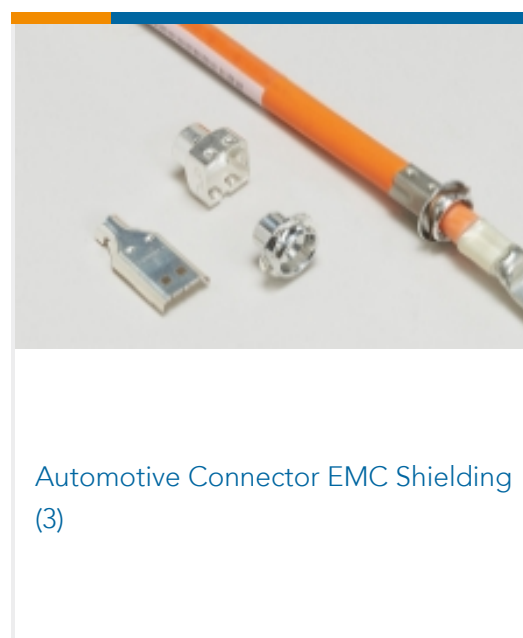
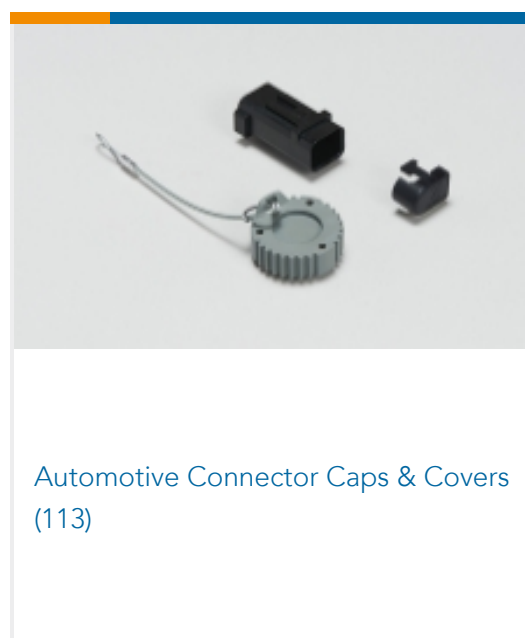
Product Compliance Disclaimer

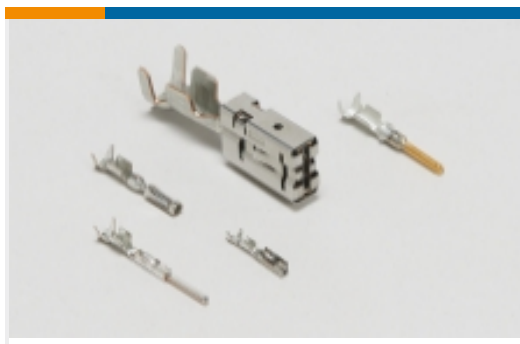
This information is provided based on reasonable inquiry of our suppliers and represents our current actual knowledge based on the information they provided. This information is subject to change. The part numbers that TE has identified as EU RoHS compliant have a maximum concentration of 0.1% by weight in homogenous materials for lead, hexavalent chromium, mercury, PBB, PBDE, DBP, BBP, DEHP, DIBP, and 0.01% for cadmium, or qualify for an exemption to these limits as defined in the Annexes of Directive 2011/65/EU (RoHS2). Finished electrical and electronic equipment products will be CE marked as required by Directive 2011/65/EU. Components may not be CE marked. Additionally, the part numbers that TE has identified as EU ELV compliant have a maximum concentration of 0.1% by weight in homogenous materials for lead, hexavalent chromium, and mercury, and 0.01% for cadmium, or qualify for an exemption to these limits as defined in the Annexes of Directive 2000/53/EC (ELV). Regarding the REACH Regulation, the information TE provides on SVHC in articles for this part number is based on the latest European Chemicals Agency (ECHA) 'Guidance on requirements for substances in articles' posted at this URL: <https://echa.europa.eu/guidance-documents/guidance-on-reach>

### Compatible Parts



### Also in the Series | MQS





Automotive Terminals(88)



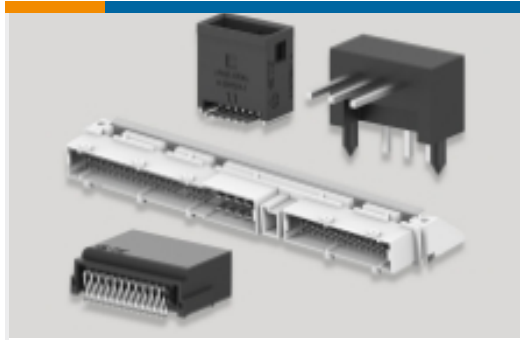
Connector Seals & Cavity Plugs(26)



Insertion & Extraction Tools(42)

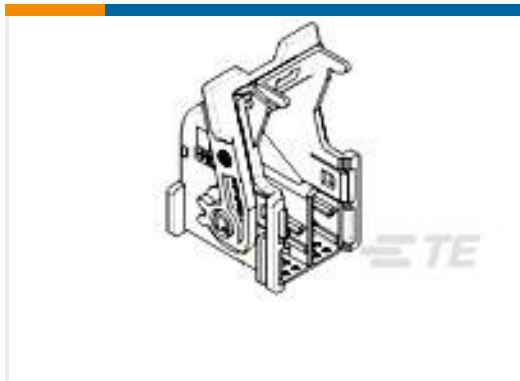


Other Automotive Connector Accessories(7)



PCB Headers & Receptacles(143)

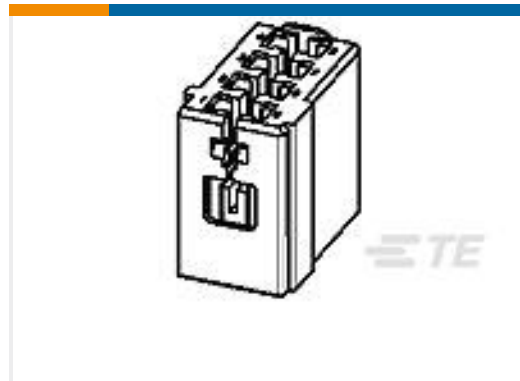
## Customers Also Bought



TE Part # 953122-4  
40W MQS COVER ASSY (15d)



TE Part # 1-967628-4  
FLACHSTE-GEH2,8 15P



TE Part # 1355526-2  
MQS BU-GEH 8P



TE Part # 4-968972-1  
MCP2,8 GEH ASSY 12P



TE Part # HD16-9-96SE  
PLUG ASM



TE Part # 1456987-1  
2x4 Fem unsealed LP assy Key A



TE Part # 2359943-2  
96POS,MCON-1.2 CB,REC HSG,ASSY



TE Part # 8-1564284-5  
96POS,MCON-1.2 CB,REC HSG,ASSY



TE Part # 8-1564284-6  
96POS,MCON-1.2 CB,REC HSG,ASSY



TE Part # 5-2297790-2  
2POS,HPF 1.2,REC HSG,ASSY,SLD

## Documents



## Product Drawings

### 12POS MQS REC

English

---

## CAD Files

### 3D PDF

3D

#### Customer View Model

[ENG\\_CVM\\_CVM\\_2278598-1\\_A.2d\\_dxf.zip](#)

English

#### Customer View Model

[ENG\\_CVM\\_CVM\\_2278598-1\\_A.3d\\_igs.zip](#)

English

#### Customer View Model

[ENG\\_CVM\\_CVM\\_2278598-1\\_A.3d\\_stp.zip](#)

English

By downloading the CAD file I accept and agree to the [Terms and Conditions](#) of use.

---

## Datasheets & Catalog Pages

### Micro Quadlok Interconnection System (MQS)

English