

4

3

2

1

THIS DRAWING IS UNPUBLISHED.

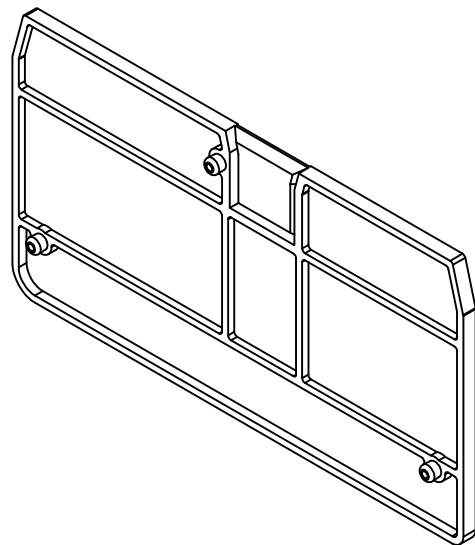
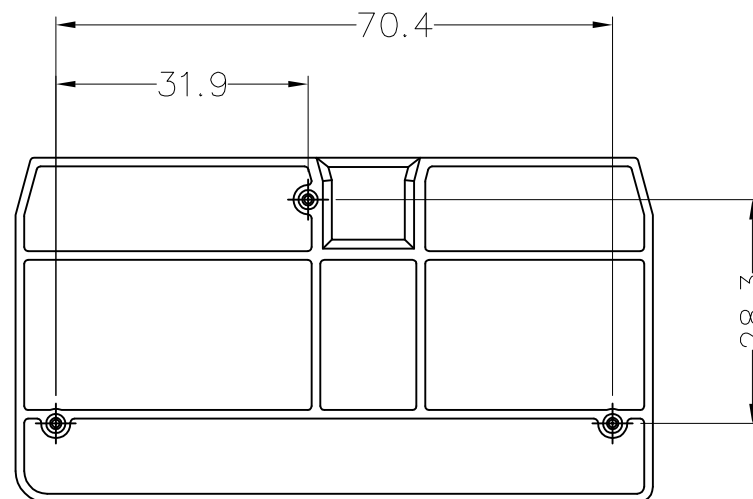
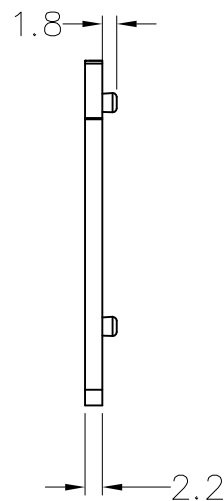
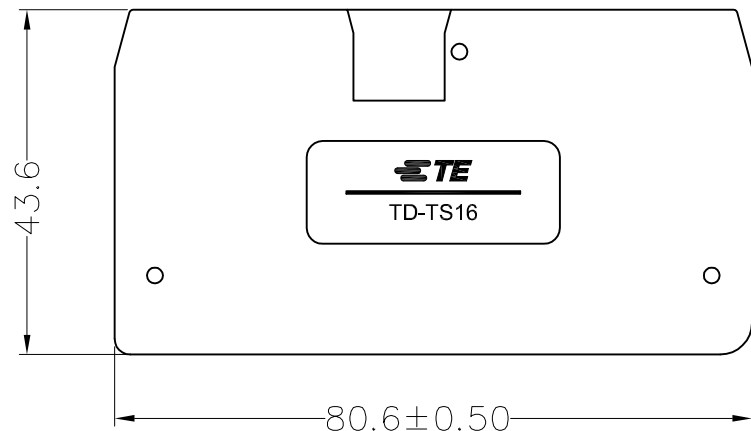
RELEASED FOR PUBLICATION

ALL RIGHTS RESERVED.

© COPYRIGHT - By -

## REVISIONS

P	LTR	DESCRIPTION	DATE	DWN	APVD
	A	OFFICIAL VERSION RELEASE	18DEC2015	F.Y	X.X



## NOTES:

1. MATERIAL:THERMOPLASTIC
2. APPLICABLE TO PRODUCT SERIES:16mm^2,1 IN 1 OUT SERIES;
3. REQUIREMENT FOR ENVIRONMENTAL SUBSTANCES MUST BE COMPLIANCE WITH ROHS AND REACH.

TD-TS16	2271619-2	GREEN
	2271619-1	GRAY
TE SERIES No.	PART NUMBER	COLOR

THIS DRAWING IS A CONTROLLED DOCUMENT.

DWN FENCER YU 18DEC2015

CHK KOBBY ZHAO 18DEC2015

APVD XIANG XU 18DEC2015

PRODUCT SPEC

APPLICATION SPEC

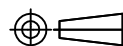
114-137138

WEIGHT

CUSTOMER DRAWING

END COVER FOR SPRING CLAMP  
TYPE TERMINAL BLOCK

SIZE	CAGE CODE	DRAWING NO	RESTRICTED TO
A3	00779	©=2271619	-

DIMENSIONS:  
mmTOLERANCES UNLESS  
OTHERWISE SPECIFIED:

0 PLC	± 0.50
1 PLC	± 0.40
2 PLC	± 0.30
3 PLC	± -
4 PLC	± -
ANGLES	± 3°

MATERIAL

FINISH

SCALE 1:1 SHEET 1 OF 1 REV A