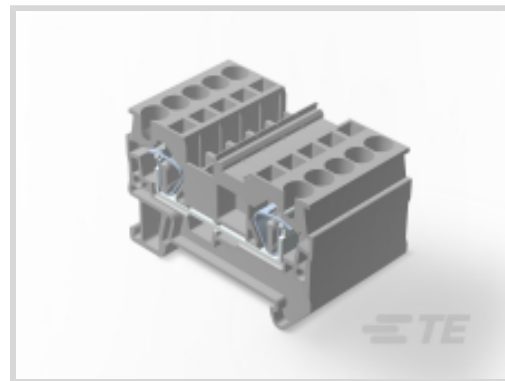




Connectors > Terminal Blocks & Strips > Modular Terminal Blocks



Modular Terminal Block Product Type: **Spring Terminal Block**

Number of Positions: 1

Centerline (Pitch): **6.15 mm [.242 in]**

Termination Method to Wire & Cable: **Quick Connect**

Contact Current Rating (Max): **30 A**

Features

Product Type Features

Modular Terminal Block Product Type	Spring Terminal Block
-------------------------------------	-----------------------

Configuration Features

Number of Circuits	1
Number of Positions	1

Electrical Characteristics

Operating Voltage	600 VAC
-------------------	---------

Contact Features

Wire Contact Termination Area Plating Material	Matte Tin
Contact Base Material	Copper
Contact Current Rating (Max)	30 A

Termination Features

Termination Method to Wire & Cable	Quick Connect
------------------------------------	---------------

Mechanical Attachment

Connector Mounting Type	DIN Rail
-------------------------	----------

Housing Features

Centerline (Pitch)	6.15 mm [.242 in]
--------------------	-------------------

Dimensions

Wire Size	.08 – 4 mm ²
-----------	-------------------------

Usage Conditions

Operating Temperature Range	-40 – 105 °C
-----------------------------	--------------

Industry Standards

UL Flammability Rating	UL 94V-0
------------------------	----------

Product Compliance

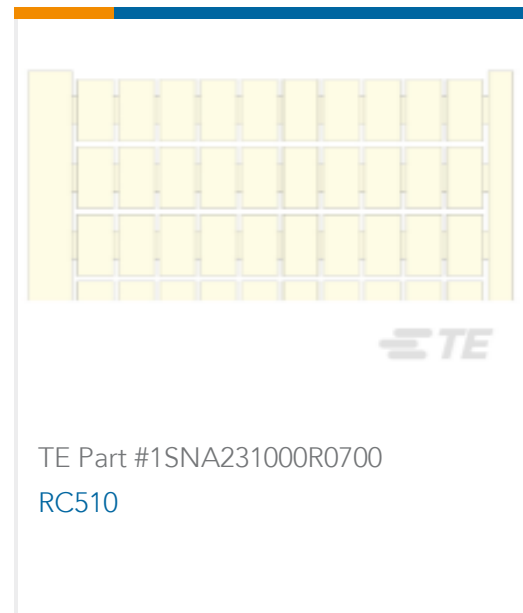
[For compliance documentation, visit the product page on TE.com>](#)

EU RoHS Directive 2011/65/EU	Compliant
EU ELV Directive 2000/53/EC	Compliant
China RoHS 2 Directive MIIT Order No 32, 2016	No Restricted Materials Above Threshold
EU REACH Regulation (EC) No. 1907/2006	Current ECHA Candidate List: JUNE 2023 (235) Candidate List Declared Against: JUL 2019 (201) Does not contain REACH SVHC
Halogen Content	Low Halogen - Br, Cl, F, I < 900 ppm per homogenous material. Also BFR/CFR/PVC Free
Solder Process Capability	Not reviewed for solder process capability

Product Compliance Disclaimer

This information is provided based on reasonable inquiry of our suppliers and represents our current actual knowledge based on the information they provided. This information is subject to change. The part numbers that TE has identified as EU RoHS compliant have a maximum concentration of 0.1% by weight in homogenous materials for lead, hexavalent chromium, mercury, PBB, PBDE, DBP, BBP, DEHP, DIBP, and 0.01% for cadmium, or qualify for an exemption to these limits as defined in the Annexes of Directive 2011/65/EU (RoHS2). Finished electrical and electronic equipment products will be CE marked as required by Directive 2011/65/EU. Components may not be CE marked. Additionally, the part numbers that TE has identified as EU ELV compliant have a maximum concentration of 0.1% by weight in homogenous materials for lead, hexavalent chromium, and mercury, and 0.01% for cadmium, or qualify for an exemption to these limits as defined in the Annexes of Directive 2000/53/EC (ELV). Regarding the REACH Regulation, the information TE provides on SVHC in articles for this part number is based on the latest European Chemicals Agency (ECHA) 'Guidance on requirements for substances in articles' posted at this URL: <https://echa.europa.eu/guidance-documents/guidance-on-reach>

Customers Also Bought



Documents

Product Drawings

DTS 4

English

CAD Files

3D PDF

3D

Customer View Model

[ENG_CVM_CVM_2271559-1_A.2d_dxf.zip](#)

English

Customer View Model

[ENG_CVM_CVM_2271559-1_A.3d_igs.zip](#)

English

Customer View Model

[ENG_CVM_CVM_2271559-1_A.3d_stp.zip](#)

English

By downloading the CAD file I accept and agree to the [Terms and Conditions](#) of use.

Product Specifications



Application Specification

English