

Pr.VLD01 10A



Specifications

ETI Code	002261029
Description	Pr.VLD01 10A
Weight	7.667
Level	Fuse disconnectors
Rated current (A)	10
Size	D01

Online product page 

Other documentation



Technical data catalogue

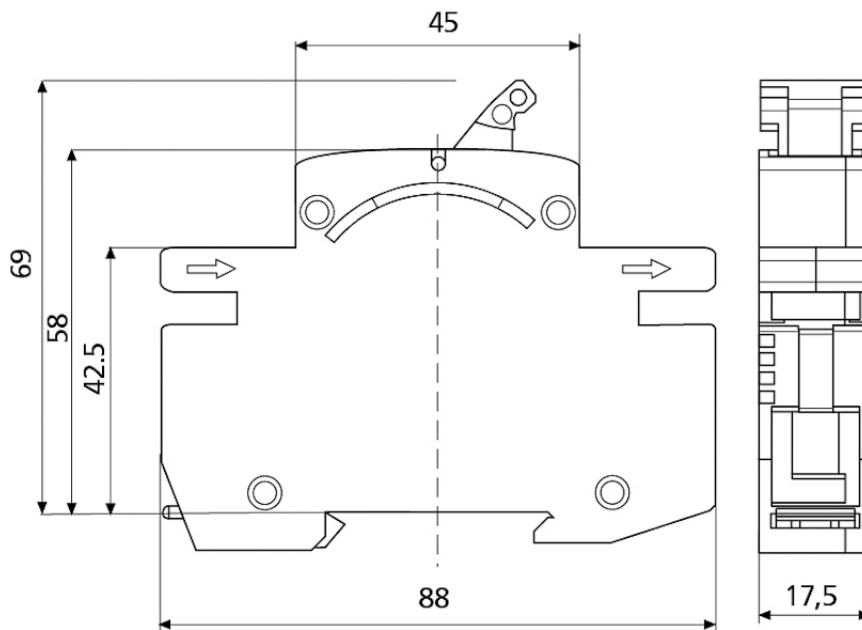
EU declaration



ETIM international clasification

Nominal rated current	10A
Colour code	
Construction size	D01

Dimension drawing



	B [mm]
1p	17,5
1p+N	35
2p	35
3p	52,5
3p+N	70