



RAYCHEM

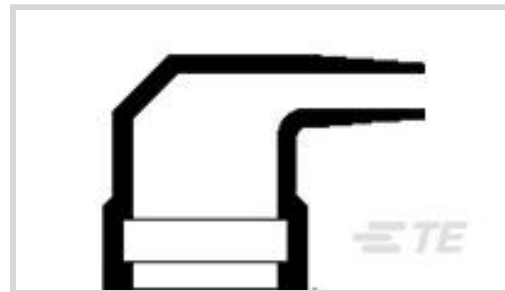
TE Internal #: CH3151-000

Heat Shrink Boots, Right Angle, Size 224, Lipped, 12, 200, Adhesive

Purchased Separately Adhesive Requirement, -55 – 200 °C [-67 – 392 °F]

[View on TE.com >](#)

Wire Protection & Management > Heat Shrink Shapes > Heat Shrink Boots > Heat Shrink Boots: Micro Molded, Lipped, Right Angle



Body Orientation: **Right Angle**

Molded Part Shape Code: **224**

Lipped: **Yes**

Material Code: **12**

Material Systems Code: **200**

[All Heat Shrink Boots: Micro Molded, Lipped, Right Angle \(8\)](#)

Features

Configuration Features

| | |
|----------------------|-------------------------------|
| Lipped | Yes |
| Adhesive Requirement | Adhesive Purchased Separately |

Body Features

| | |
|--------------------------|---------------------------|
| Primary Product Material | Modified Fluoro-Elastomer |
| Material Code | 12 |
| Material Systems Code | 200 |

Housing Features

| | |
|------------------|-------------|
| Body Orientation | Right Angle |
|------------------|-------------|

Dimensions

| | |
|---------------------------------|---------------------------|
| Expanded Inside Diameter (Min) | 11 mm [.43 in] |
| Compatible Cable Diameter Range | 7.8 – 11 mm [7.8 – 12 in] |

Usage Conditions

| | |
|-----------------------------|--|
| Operating Temperature Range | -55 – 200 °C [-67 – 392 °F] |
| Resistance Protection | Long-Term Fluid Immersion at High Temperatures |

Industry Standards

| | |
|--|--|
| | |
|--|--|



| | |
|---|---------------|
| Compatible With Approved Standards Products | SAE AS81765/4 |
|---|---------------|

Other

| | |
|------------------------|-----|
| Molded Part Shape Code | 224 |
|------------------------|-----|

Product Compliance

[For compliance documentation, visit the product page on TE.com>](#)

| | |
|---|--|
| EU RoHS Directive 2011/65/EU | Compliant |
| EU ELV Directive 2000/53/EC | Compliant |
| China RoHS 2 Directive MIIT Order No 32, 2016 | No Restricted Materials Above Threshold |
| EU REACH Regulation (EC) No. 1907/2006 | Current ECHA Candidate List: JUNE 2024 (241) Candidate List Declared Against: JAN 2024 (240) Does not contain REACH SVHC |
| Halogen Content | Low Bromine/Chlorine - Br and Cl < 900 ppm per homogenous material. Also BFR /CFR/PVC Free |
| Solder Process Capability | Not applicable for solder process capability |

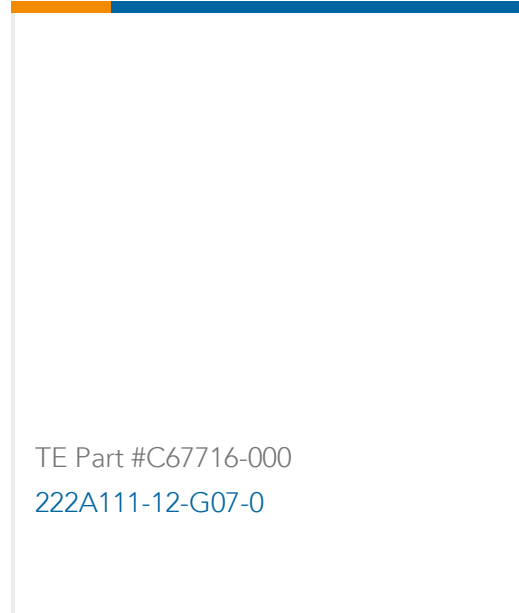
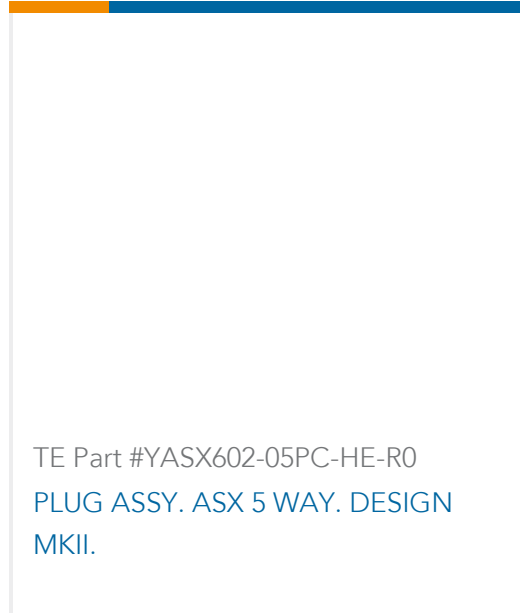
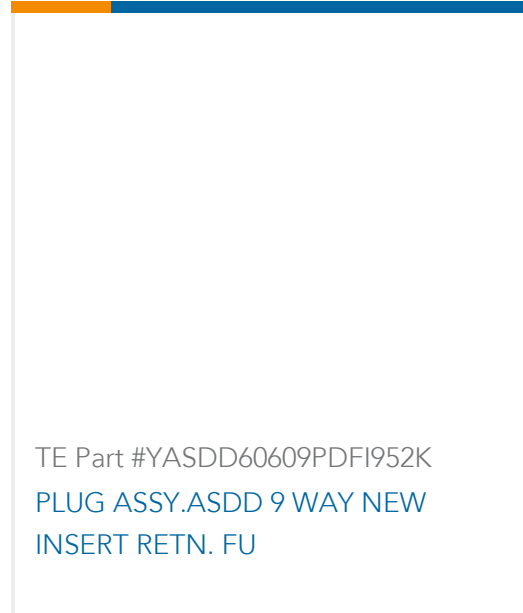
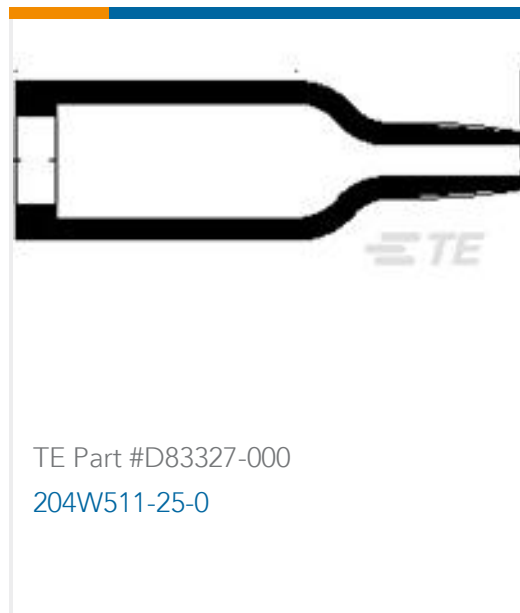
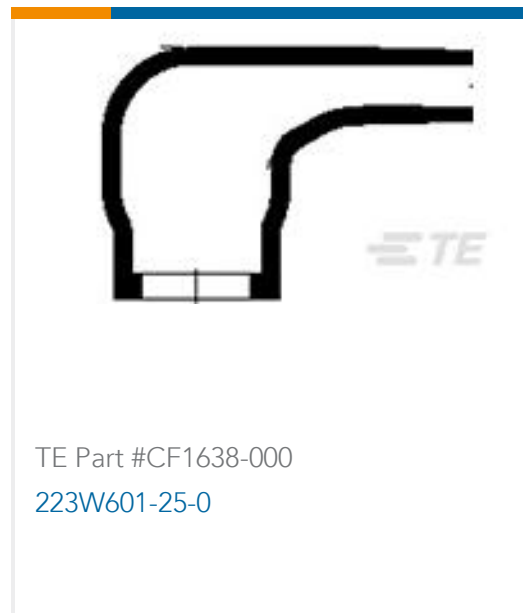
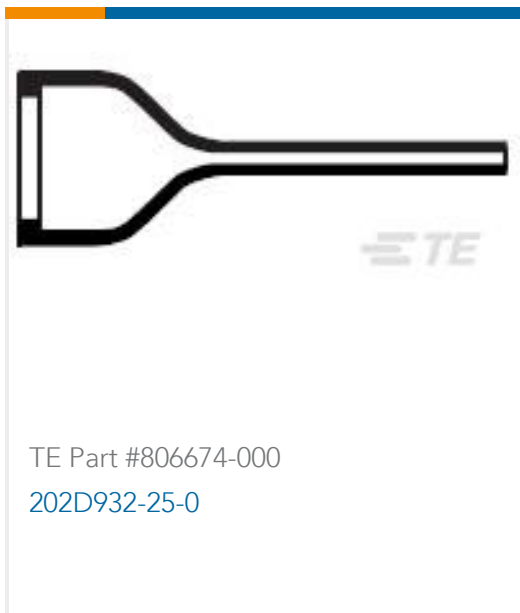
Product Compliance Disclaimer

This information is provided based on reasonable inquiry of our suppliers and represents our current actual knowledge based on the information they provided. This information is subject to change. The part numbers that TE has identified as EU RoHS compliant have a maximum concentration of 0.1% by weight in homogenous materials for lead, hexavalent chromium, mercury, PBB, PBDE, DBP, BBP, DEHP, DIBP, and 0.01% for cadmium, or qualify for an exemption to these limits as defined in the Annexes of Directive 2011/65/EU (RoHS2). Finished electrical and electronic equipment products will be CE marked as required by Directive 2011/65/EU. Components may not be CE marked. Additionally, the part numbers that TE has identified as EU ELV compliant have a maximum concentration of 0.1% by weight in homogenous materials for lead, hexavalent chromium, and mercury, and 0.01% for cadmium, or qualify for an exemption to these limits as defined in the Annexes of Directive 2000/53/EC (ELV). Regarding the REACH Regulation, the information TE provides on SVHC in articles for this part number is based on the latest European Chemicals Agency (ECHA) 'Guidance on requirements for substances in articles' posted at this URL: <https://echa.europa.eu/guidance-documents/guidance-on-reach>

Compatible Parts



Customers Also Bought



Documents

Product Drawings

[224W221-12-G03-0](#)

English

Datasheets & Catalog Pages

[1654025_Sec4_-12](#)

English

Raychem Molded Parts Visual Guide

English