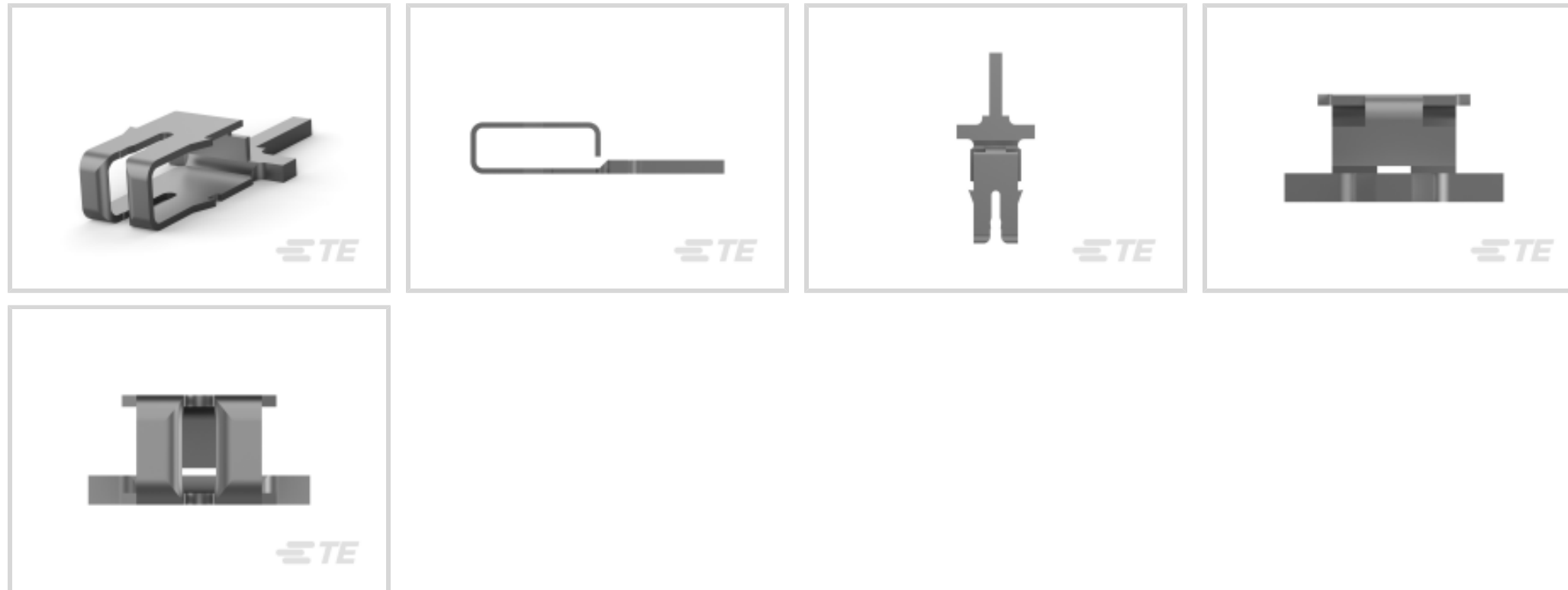




Terminals & Splices > Magnet Wire Terminals



Magnet Wire Terminal Type: **Multispring Pin**

Mating Pin Diameter: **.8 mm [.031 in]**

Compatible With Cavity Size: **Size 2**

Magnet Wire Size: **1.2 – 1.3 mm**

Features

Product Type Features

Compatible With Discrete Wire Type	Magnet Wire, Solid
------------------------------------	--------------------

Body Features

Compatible With Cavity Size	Size 2
-----------------------------	--------

Contact Features

Magnet Wire Terminal Type	Multispring Pin
Mating Pin Diameter	.8 mm [.031 in]
Terminal Plating Material	Tin
Contact Underplating Material	Nickel
Terminal Orientation	Straight

Termination Features

Termination Method to Wire & Cable	Insulation Displacement (IDC)
------------------------------------	-------------------------------

Dimensions

Terminal Height	7.6 mm [.3 in]
Magnet Wire Size	1.2 – 1.3 mm



Stock Thickness (Magnet Wire Side)	.32 mm[.013 in]
------------------------------------	-----------------

Product Length	14.8 mm[.583 in]
----------------	------------------

Usage Conditions

Insulation Option	Uninsulated
-------------------	-------------

Operating Temperature Range	-65 – 150 °C[-85 – 302 °F]
-----------------------------	----------------------------

Operation/Application

Compatible With Wire Base Material	Copper
------------------------------------	--------

Identification Marking

Identification Number	33
-----------------------	----

Packaging Features

Packaging Method	Reel, Reel/Carton
------------------	-------------------

Product Compliance

[For compliance documentation, visit the product page on TE.com>](#)

EU RoHS Directive 2011/65/EU	Compliant
------------------------------	-----------

EU ELV Directive 2000/53/EC	Compliant
-----------------------------	-----------

China RoHS 2 Directive MIIT Order No 32, 2016	No Restricted Materials Above Threshold
---	---

EU REACH Regulation (EC) No. 1907/2006	Current ECHA Candidate List: JUNE 2024 (241) Candidate List Declared Against: JUNE 2024 (241) Does not contain REACH SVHC
--	---

Halogen Content	Low Halogen - Br, Cl, F, I < 900 ppm per homogenous material. Also BFR/CFR/PVC Free
-----------------	---

Solder Process Capability	Not reviewed for solder process capability
---------------------------	--

Product Compliance Disclaimer

This information is provided based on reasonable inquiry of our suppliers and represents our current actual knowledge based on the information they provided. This information is subject to change. The part numbers that TE has identified as EU RoHS compliant have a maximum concentration of 0.1% by weight in homogenous materials for lead, hexavalent chromium, mercury, PBB, PBDE, DBP, BBP, DEHP, DIBP, and 0.01% for cadmium, or qualify for an exemption to these limits as defined in the Annexes of Directive 2011/65/EU (RoHS2). Finished electrical and electronic equipment products will be CE marked as required by Directive 2011/65/EU. Components may not be CE marked. Additionally, the part numbers that TE has identified as EU ELV compliant have a maximum concentration of 0.1% by weight in homogenous materials for lead, hexavalent chromium, and mercury, and 0.01% for cadmium, or qualify for an exemption to these limits as defined in the Annexes of Directive 2000/53/EC (ELV). Regarding the REACH Regulation, the information TE provides on SVHC in articles for this part number is based on the latest European Chemicals Agency (ECHA) 'Guidance on requirements for substances in articles' posted at this URL: <https://echa.europa.eu/guidance-documents/guidance-on-reach>

Compatible Parts



TE Part # 1740417-1
MAG-MATE PIN CONTACT



TE Part # 2120747-2
MAG-MATE Slim Line with Multispring



TE Part # 1247000-2
MAGMATE "300 SERIE" WITH MULTISPRING PIN



TE Part # 1247001-2
MAGMATE "300 SERIE" WITH MULTISPRING PIN



TE Part # 1247002-2
MAGMATE "300 SERIE" WITH MULTISPRING PIN



TE Part # 2120743-2
MAG-MATE Slim Line with Multispring



TE Part # 2120744-2
MAG-MATE Slim Line with Multispring



TE Part # 2120746-2
MAG-MATE Slim Line with Multispring



TE Part # 1247001-3
MAGMATE "300 SERIES" WITH MULTISPRING



TE Part # 1247002-3
MAGMATE "300 SERIES" WITH MULTISPRING



TE Part # 1247003-2
MAGMATE "300 SERIES" W/H MULTISPRING PIN



TE Part # 1247003-3
MAGMATE "300 SERIES" WITH MULTISPRING



TE Part # 1247004-2
MAGMATE "300 SERIE" WITH MULTISPRING PIN



TE Part # 1247004-3
MAGMATE "300 SERIES" WITH MULTISPRING



TE Part # 2120745-2
MAG-MATE Slim Line with Multispring



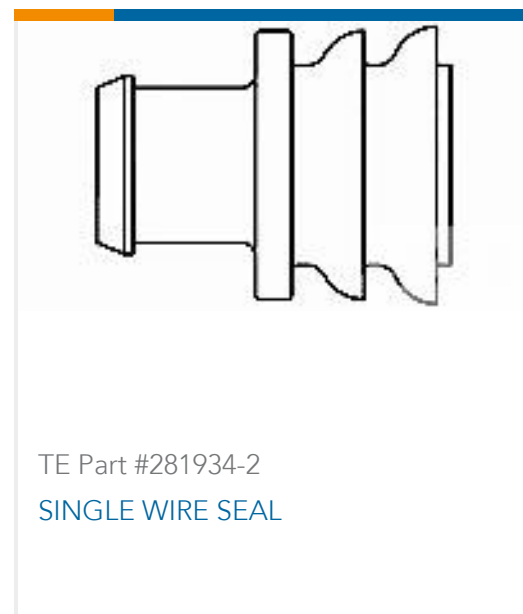
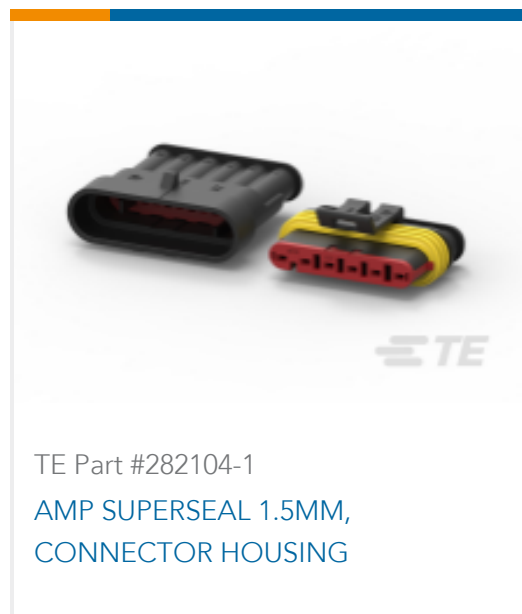
TE Part # 2238145-3
MAGMATE 300 SERIES WITH MULTISPRING PIN

Also in the Series | MAG-MATE 300



Magnet Wire Terminals(78)

Customers Also Bought



Documents

Product Drawings

MAGMATE 300 SERIES WITH MULTISPING PIN

English

CAD Files

3D PDF

3D

Customer View Model

[ENG_CVM_CVM_2238145-2_A.2d_dxf.zip](#)

English

Customer View Model

[ENG_CVM_CVM_2238145-2_A.3d_igs.zip](#)

English

Customer View Model

[ENG_CVM_CVM_2238145-2_A.3d_stp.zip](#)

English

By downloading the CAD file I accept and agree to the [Terms and Conditions](#) of use.

Product Specifications

Application Specification

English