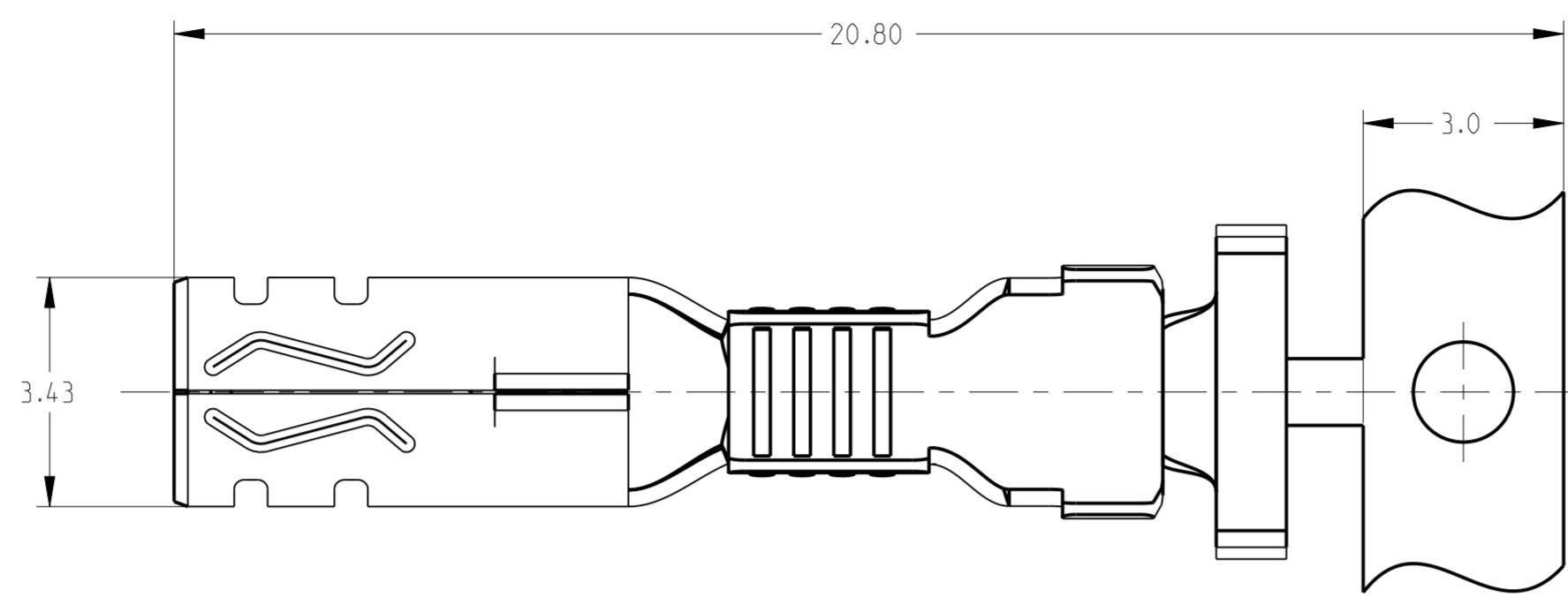
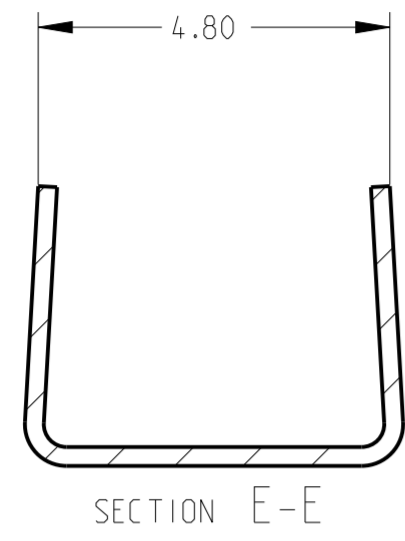


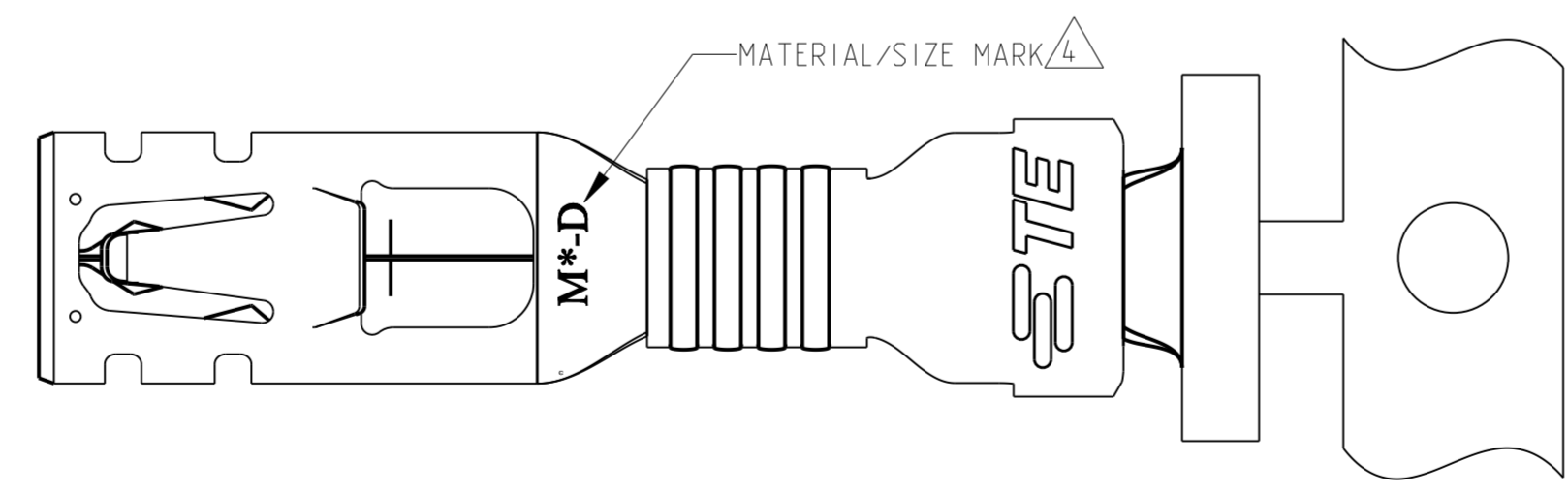
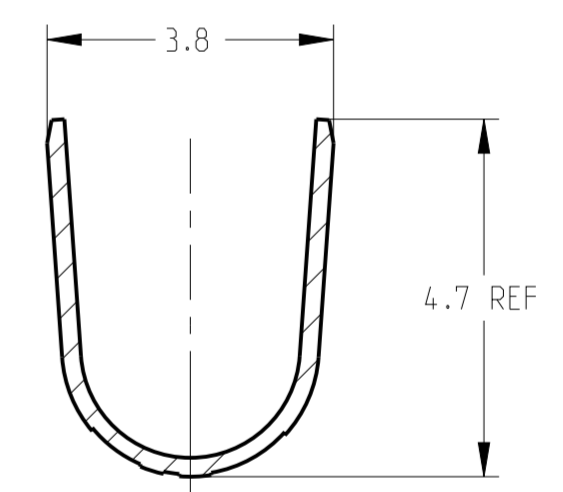
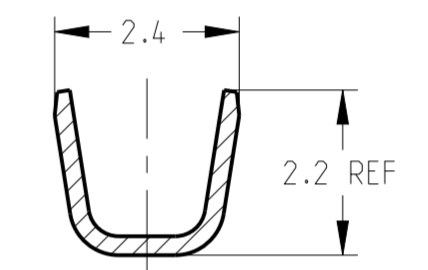
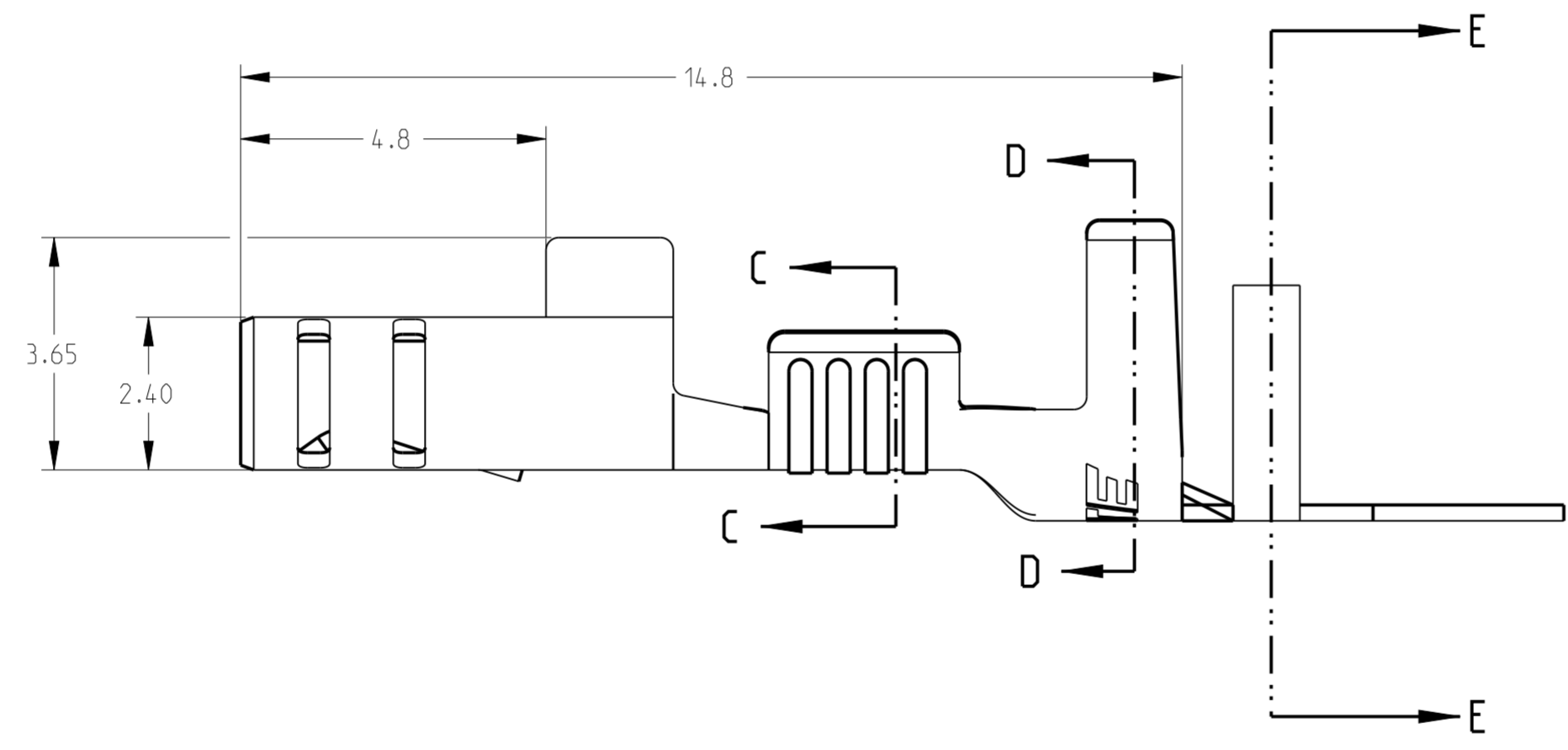
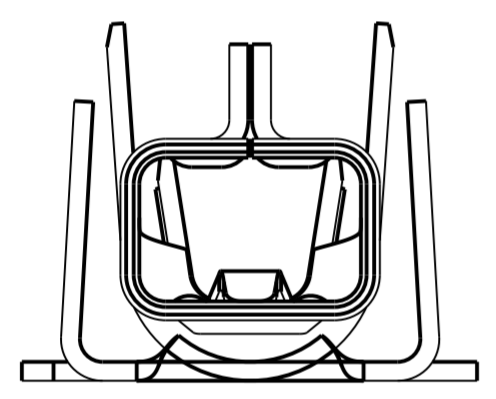
THIS DRAWING IS UNPUBLISHED. RELEASED FOR PUBLICATION 20
 © COPYRIGHT 20 BY - ALL RIGHTS RESERVED.

REVISIONS				
P	LTR	DESCRIPTION	DATE	APVD
D		REVISED PER ECR-21-100678	08APR2021	SS VS



- 1 APPLICABLE WIRE RANGE: 18AWG COPPER STRANDED
- 2 APPLICABLE INSULATION DIAMETER: 2.40-3.30mm. 2.00-3.30mm WHEN AN OVERLAP INSULATION APPLICATOR IS USED.
- 3 APPLICABLE MATED PLUG HOUSING P/N:
 -1971773-/*-1971776-*/*-1971876-*/
 -2232265/*-2232266-*/*-2232357-*

△ WIRE SIZE INDICATOR "D"=18 AWG



COPPER ALLOY	HIGH (150°C)	M0-D	2238066-2
PHOS BRONZE	STANDARD (105°C)	M1-D	2238066-1
MATERIAL	TEMP. RATING	△ MATERIAL/SIZE MARK	PART NO

THIS DRAWING IS A CONTROLLED DOCUMENT.

DWN	17NOV2014	 TE Connectivity
CHK	17NOV2014	
APVD	17NOV2014	
NAME	JACON. GENE	
DIMENSIONS:	mm	
TOLERANCES UNLESS OTHERWISE SPECIFIED:	0 PLC ± 1 PLC ±0.5 2 PLC ±0.30 3 PLC ± 4 PLC ± ANGLES ± FINISH PRE-TIN	
MATERIAL	SEE TABLE	PRE-TIN
PRODUCT SPEC	108-106118	
APPLICATION SPEC	114-106118	
WEIGHT	-	
Customer Drawing	SCALE 10:1	SHEET 1 OF 1
RESTRICTED TO	-	