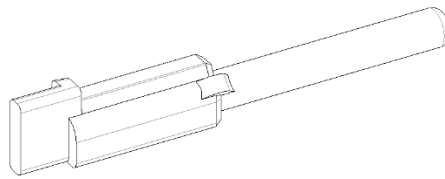

(Class 1)

MCON 0.50 Blind Connector



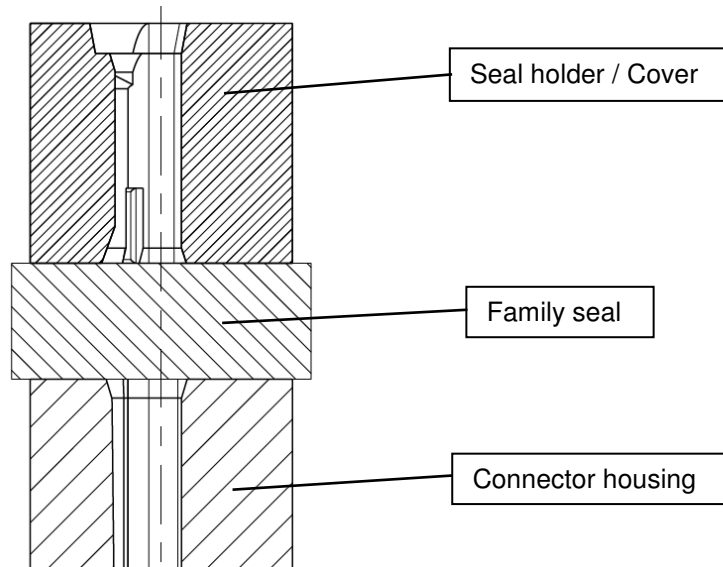
TE PN: 2236139-1

Technical remarks:

- This sealing pin is applicable for TE connectors with sealed MCON 0.50 cavities.
- The application requires a special shape of the contact cavities in covers or seal holders.
- The plug can be used to close unequipped cavities of sealed connectors to ensure watertightness.
- Suitable for applications up to 150°C

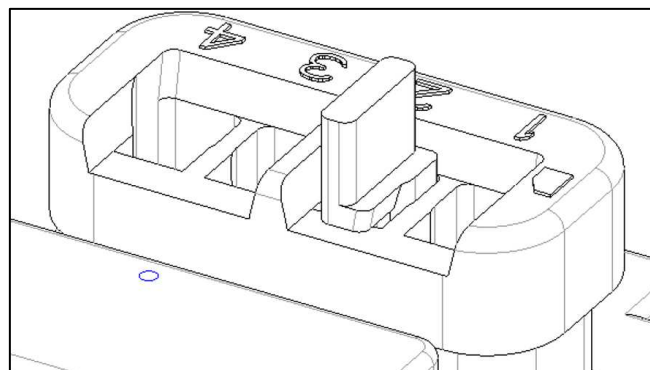
Requirement:

The matching connectors have the following structure:



Assembly:

The pin must be inserted until the stop position in the correct orientation to the contact cavity.



Any further technical details can be found in the specifications of the respective matching receptacle housings.