



Application Tooling > Heat Shrink Equipment



Applicable Region: **Worldwide**

Features

Product Availability

Applicable Region	Worldwide
-------------------	-----------

Product Compliance

[For compliance documentation, visit the product page on TE.com>](#)

EU RoHS Directive 2011/65/EU	Out of Scope
EU ELV Directive 2000/53/EC	Out of Scope
China RoHS 2 Directive MIIT Order No 32, 2016	No Restricted Materials Above Threshold
EU REACH Regulation (EC) No. 1907/2006	Current ECHA Candidate List: JUNE 2024 (241) Candidate List Declared Against: JAN 2024 (240) Does not contain REACH SVHC
Halogen Content	Low Halogen - Br, Cl, F, I < 900 ppm per homogenous material. Also BFR/CFR/PVC Free
Solder Process Capability	Not applicable for solder process capability

Product Compliance Disclaimer

This information is provided based on reasonable inquiry of our suppliers and represents our current actual knowledge based on the information they provided. This information is subject to change. The part numbers that TE has identified as EU RoHS compliant have a maximum concentration of 0.1% by weight in homogenous materials for lead, hexavalent chromium, mercury, PBB, PBDE, DBP, BBP, DEHP, DIBP, and 0.01% for cadmium, or qualify for an exemption to these limits as defined in the Annexes of Directive 2011/65/EU (RoHS2). Finished electrical and electronic equipment products will be CE marked as required by Directive 2011/65/EU. Components may not be CE marked. Additionally, the part numbers that TE has identified as EU ELV compliant have a maximum concentration of 0.1% by weight in homogenous materials for lead, hexavalent chromium, and mercury, and 0.01% for cadmium, or qualify for an exemption to these limits as defined in the Annexes of Directive 2000/53/EC (ELV). Regarding the REACH Regulation, the information TE provides on SVHC in articles for this part number is based on the latest European Chemicals Agency (ECHA) 'Guidance on requirements for substances in articles' posted at this URL: <https://echa.europa.eu/guidance-documents/guidance-on-reach>

Compatible Parts



TE Part # 1-2234800-1
RBK-X1, AUTO TRIGGER



TE Part # 1-2234800-3
RBK-X1, W/ AIR COOLING



TE Part # 1-2234800-4
RBK-X1 CE, W/ AIR COOLING



TE Part # 1-2376800-3
RBK-X1C, W/ AIR COOLING



TE Part # 1-2376800-4
RBK-X1C CE, W/ AIR COOLING



TE Part # 2234800-1
RBK-X1 STD



TE Part # 2234800-2
RBK-X1 CE STD



TE Part # 2375310-1
XB17 Belt Heater, 220V



TE Part # 2375310-2
XB17 Belt Heater, 110V



TE Part # 2375320-1
XB19 Belt Heater, STD




TE Part # 2375320-2
XB19 Belt Heater, 150mm (6'') Version



TE Part # 2376800-1
RBK-X1C STD

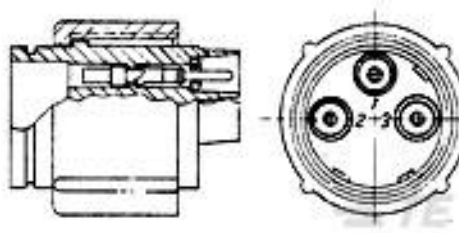


TE Part # 2376800-2
RBK-X1C CE STD



TE Part # 1-2375320-1
XB19 BELT HEATER, AUTO SHUT OFF

Customers Also Bought



TE Part #863021-2
PLUG ASSY, 3 PIN



TE Part #5363716002
CGPT-R-24/8-0



TE Part #695321-000
55A1121-12-0/2-9



TE Part #YDTS24F17-08ANV001
RECP ASSY

