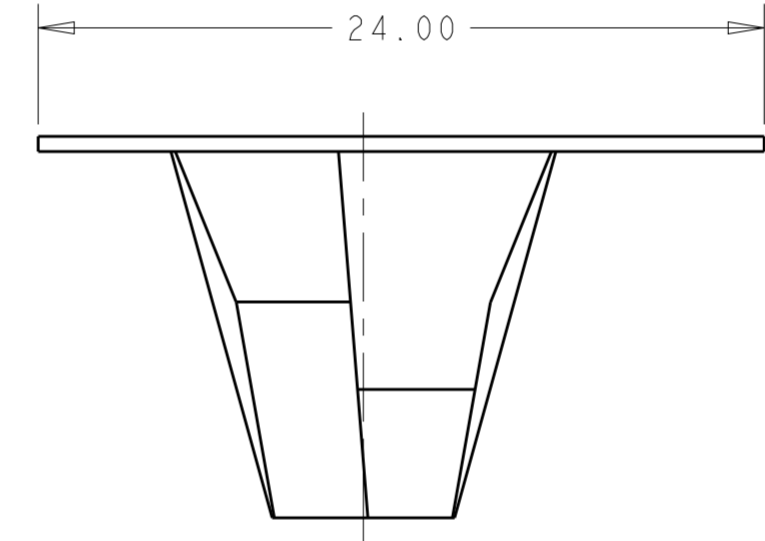
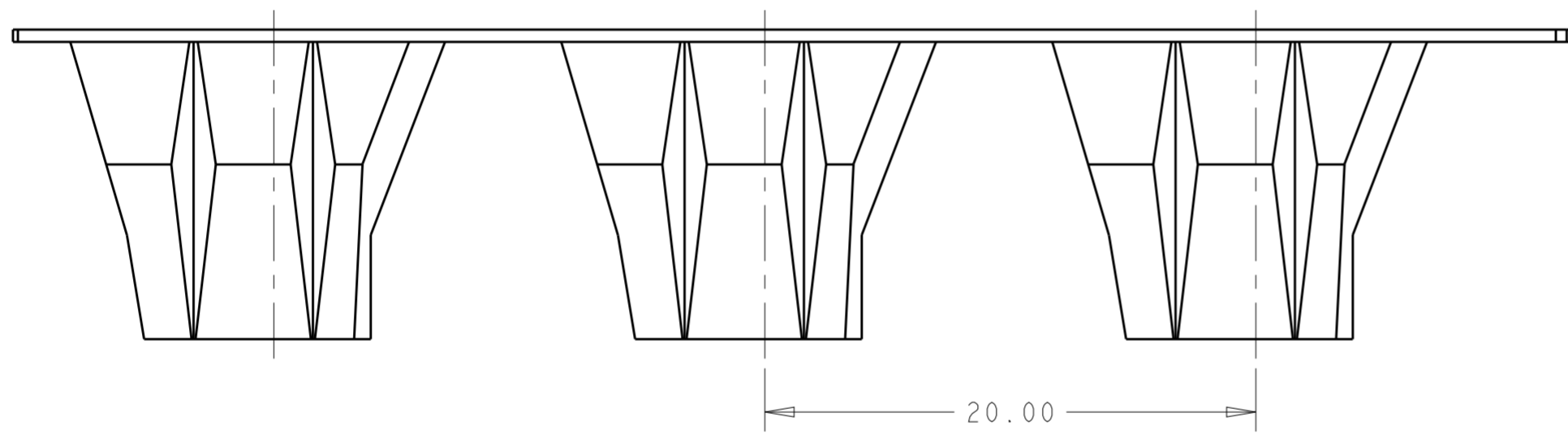
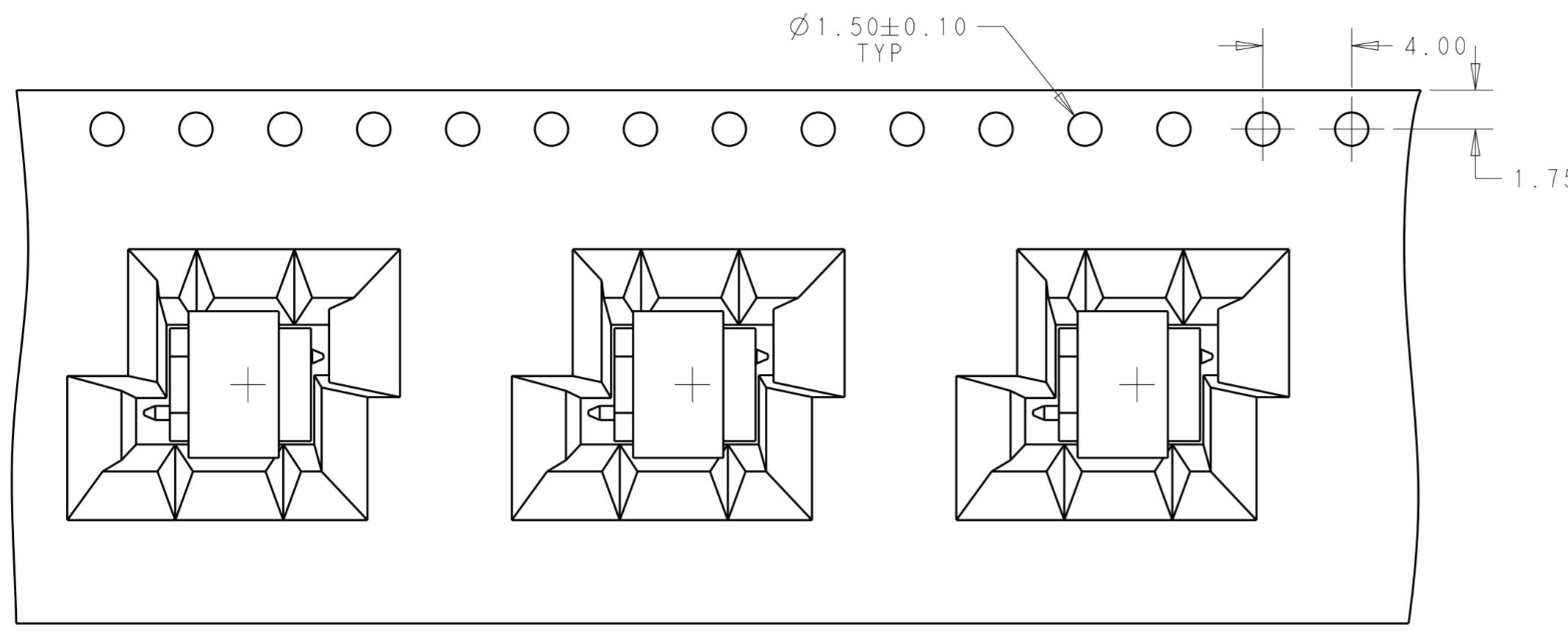
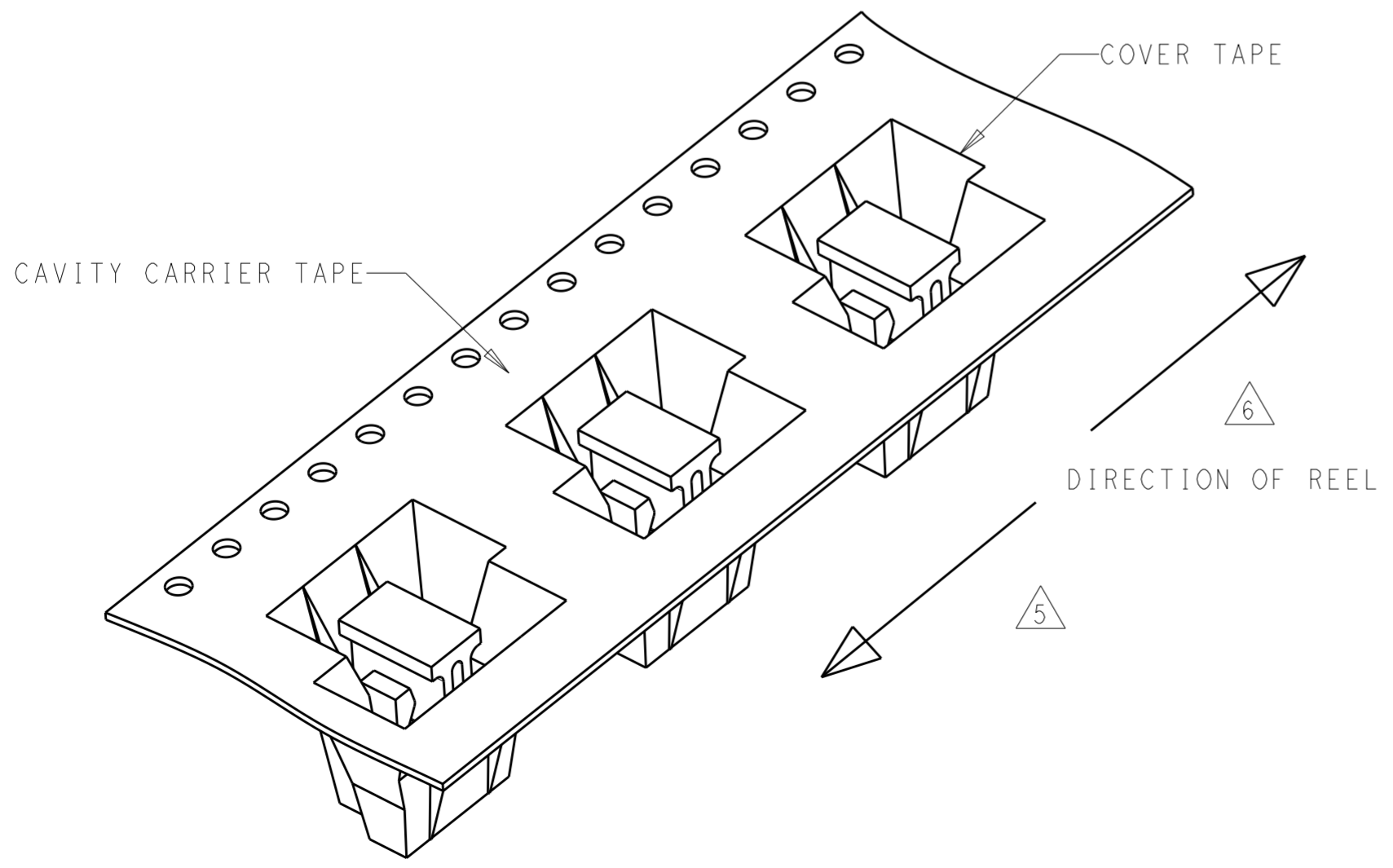


THIS DRAWING IS UNPUBLISHED. RELEASED FOR PUBLICATION 20
 © COPYRIGHT 20 BY - ALL RIGHTS RESERVED.

REVISIONS					
P	LTR	DESCRIPTION	DATE	DWN	APVD
	D	REVISED PER ECR-17-018490	27DEC2017	BDA	SG



- 1 MATERIAL:
HOUSING- THERMOPLASTIC, UL94V-0, BLACK
CONTACT- COPPER ALLOY
CAVITY CARRIER TAPE- BLACK CONDUCTIVE PLOYCARBONATE
- 2 FINISH:
CONTACT - TIN PLATE FOR -3, GOLD PLATE FOR 1--2,1--3.
- 3 POSTS SOLDERTAILS MUST COMPLY WITH TE SOLDERABILITY SPEC 109-11-12.
- 4 HEADER ARE SUPPLIED ON A 330.2mm DIAMETER REEL WITH 225 PARTS PER REEL. THE CAVITY CARRIER TAPE HOLDS 1 PART PER POKCKET, ORIENTED AS SHOW.
- 5 PRIMARY REELING DIRECTION
- 6 REVERSE-REELING DIRECTION



6	972366-3	1706504-3	147117-1	3	3-647166-3	2-2232980-3
5	972366-3	1706504-3	147117-1	3	3-647167-3	1-2232980-3
5	972366-3	1706504-2	147117-1	2	3-647167-2	1-2232980-2
5	972366-3	1706504-3	147117-1	3	3-647166-3	2232980-3
5	972366-3	1706504-2	147117-1	2	3-647166-2	2232980-2
DIRECTION OF REELING	COVER TAPE	CAVITY CARRIER COVER	PICK AND PLACE COVER	POSITION	HEADER ASSEMBLY	PART NUMBER

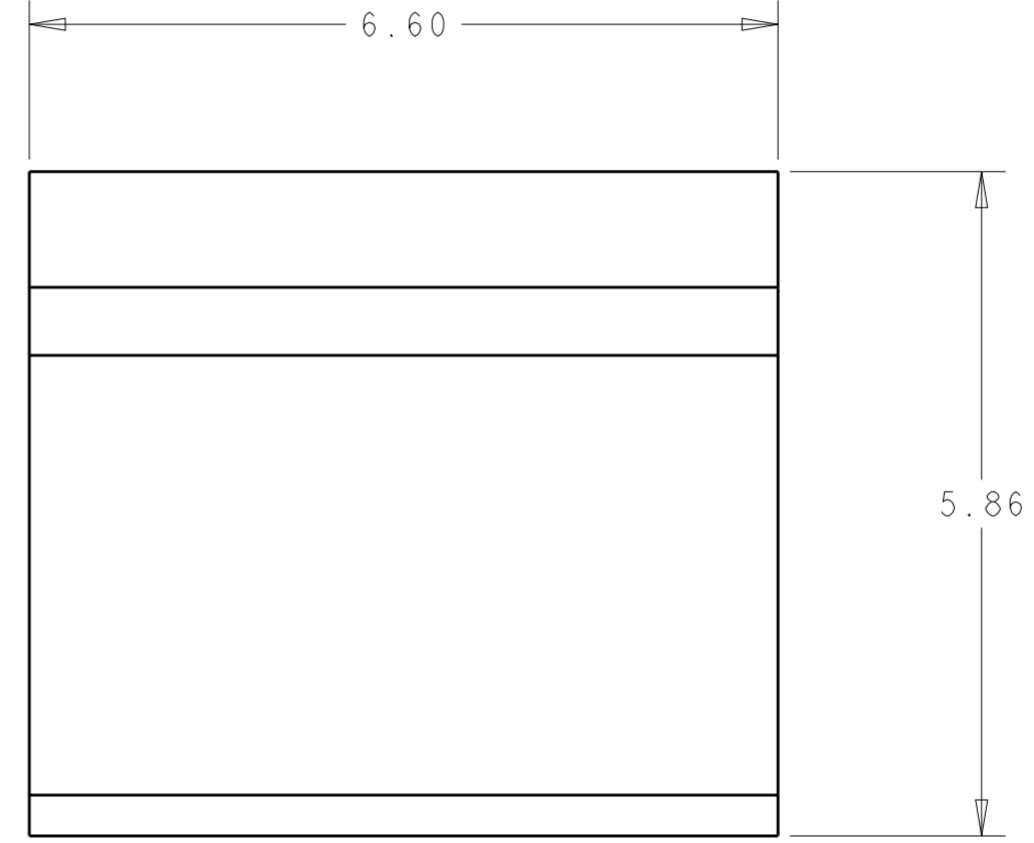
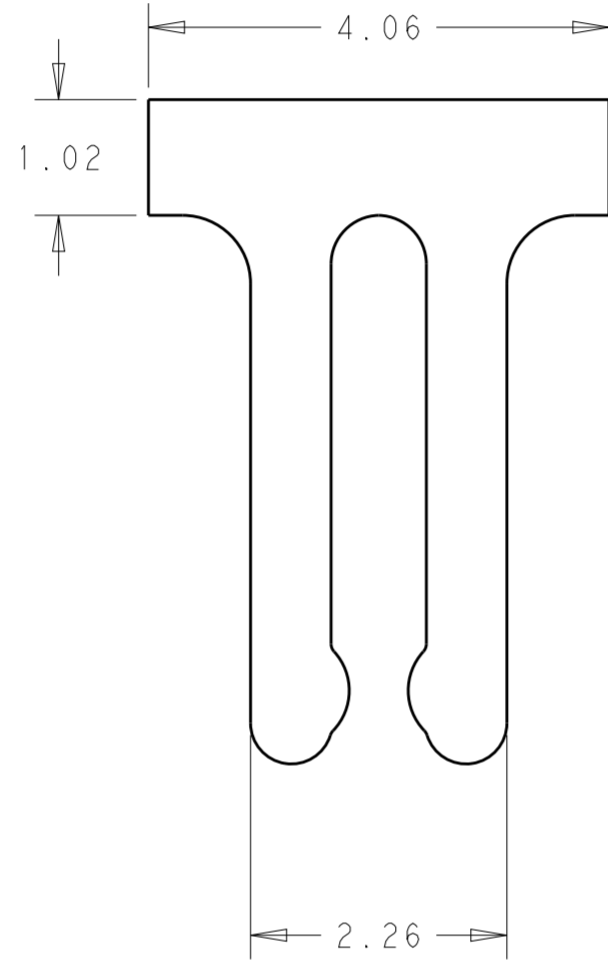
THIS DRAWING IS A CONTROLLED DOCUMENT.

DWN	P.Q	30 JUN 2015
CHK	D.7	30 JUN 2015
APVD	D.7	30 JUN 2015


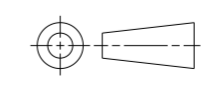
STE TE Connectivity
 NAME: MTA100 HDR ASSY SURFACE MOUNT, FRICTION LOCK, .025 SQUARE STRAIGHT POST
 SIZE: A2 CAGE CODE: 00779 DRAWING NO: C-2232980
 MATERIAL: 1 TOLERANCES UNLESS OTHERWISE SPECIFIED: 2
 DIMENSIONS: MM
 0 PLC ±
 1 PLC ±
 2 PLC ±0.20
 3 PLC ±
 4 PLC ±
 ANGLES ±1°
 FINISH
 WEIGHT: -
 CUSTOMER DRAWING SCALE: 4:1 SHEET: 1 OF 2 REV: D

THIS DRAWING IS UNPUBLISHED. RELEASED FOR PUBLICATION 20
 © COPYRIGHT 20 BY - ALL RIGHTS RESERVED.

REVISIONS					
P	LTR	DESCRIPTION	DATE	DWN	APVD
-		SEE SHEET 1	-	-	-



CAP FOR HEADER

THIS DRAWING IS A CONTROLLED DOCUMENT.		DWN P. Q	30 JUN 2015	 TE Connectivity	
DIMENSIONS: MM		CHK D. 7	30 JUN 2015		
TOLERANCES UNLESS OTHERWISE SPECIFIED: 0 PLC ± 1 PLC ± 2 PLC ±0.20 3 PLC ± 4 PLC ± ANGLES ±1° FINISH		APVD D. 7	30 JUN 2015		
		PRODUCT SPEC 108-1050 APPLICATION SPEC 114-1019 WEIGHT -		NAME MTA-100 HDR ASSEMBLY, SURFACE MOUNT, FRICTION LOCK, .025 SQUARE STRAIGHT POST SIZE CAGE CODE DRAWING NO RESTRICTED TO A200779 C-2232980 -	
MATERIAL 1		CUSTOMER DRAWING		SCALE N/A	SHEET 2 OF 2