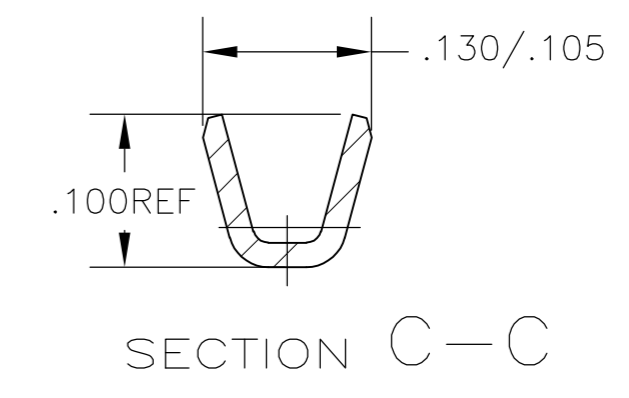
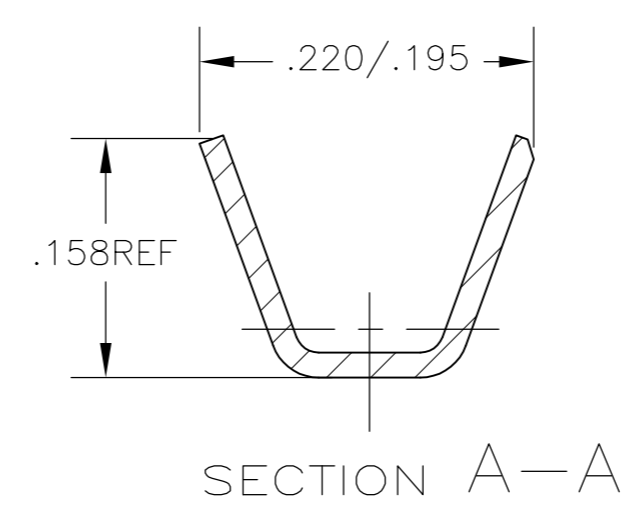
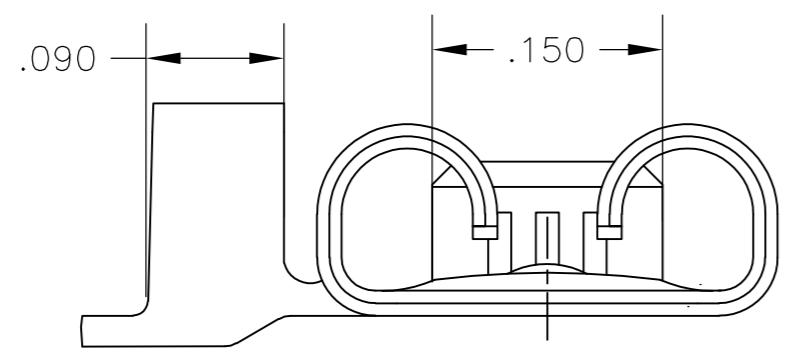
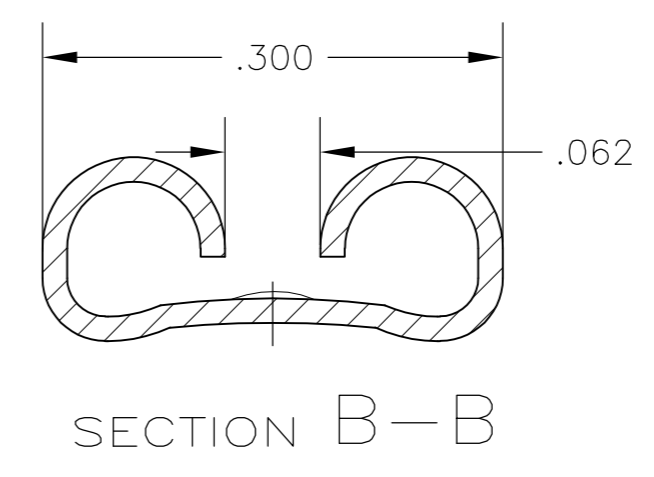
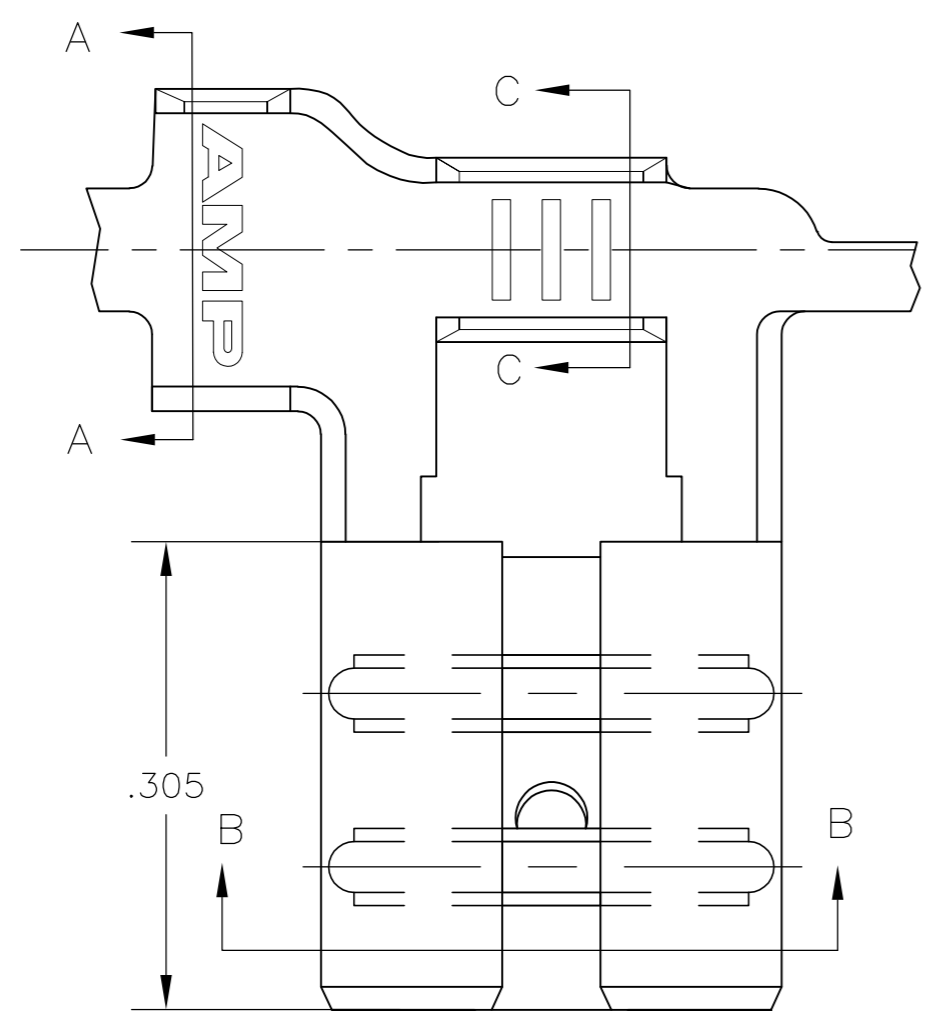
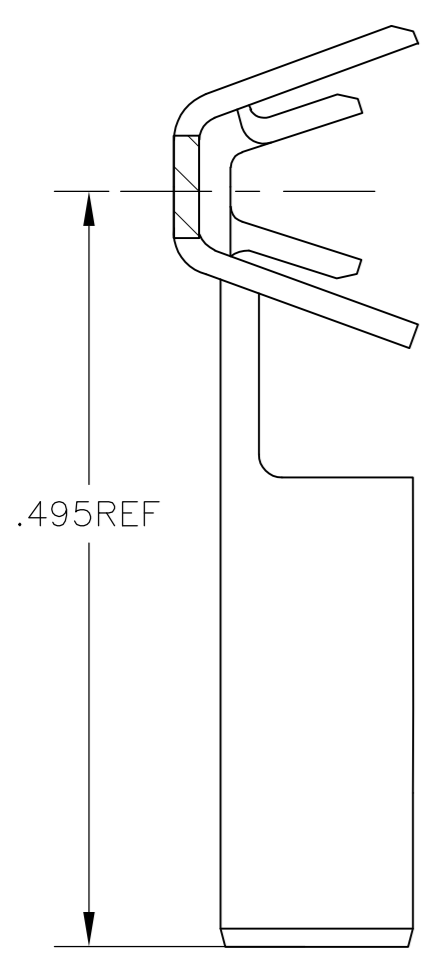


THIS DRAWING IS UNPUBLISHED.
 DIFFUSION RESTREINTE AMP
 © COPYRIGHT - By -
 RELEASED FOR PUBLICATION 08DEC2016 .-
 ALL RIGHTS RESERVED. TODOS LOS DERECHOS RESERVADOS.

REVISIONS				
P	LTR REV	DESCRIPTION	DATE	DWN APVD
	A2	REVISED ECO-17-013353	12SEP2017	RS DS

- 1 CONTINUOUS STRIP ON REELS.
 - 2 WIRE SIZE: AWG 22-18.
 - 3 MATING TAB THICKNESS .032±.001.
 - 4 CRIMPING INFO:
 WIRE BBL-.90 WIDTH, F TYPE
 INSUL. BBL-.140 WIDTH, F OR O TYPE
- ⚠ STRESS RELIEF VERSION.



TIN PLATED	BRASS	2230810-1 ⚠
FINISH	MATERIAL	PART NO.

THIS DRAWING IS A CONTROLLED DOCUMENT.		DWN LEI PAN 08DEC2016	TE Connectivity																			
DIMENSIONS: INCHES		CHK TIM DING 08DEC2016	NAME FASTON 250 FLAG RCPT. 22-18 TPBR																			
TOLERANCES UNLESS OTHERWISE SPECIFIED:		APVD TIM DING 08DEC2016	PRODUCT SPEC																			
<table border="0"> <tr><td>0 PLC</td><td>±</td><td>-</td></tr> <tr><td>1 PLC</td><td>±</td><td>-</td></tr> <tr><td>2 PLC</td><td>±</td><td>-</td></tr> <tr><td>3 PLC</td><td>±</td><td>.010</td></tr> <tr><td>4 PLC</td><td>±</td><td>-</td></tr> <tr><td>ANGLES</td><td>±</td><td>-</td></tr> </table>		0 PLC	±	-	1 PLC	±	-	2 PLC	±	-	3 PLC	±	.010	4 PLC	±	-	ANGLES	±	-	APPLICATION SPEC	RESTRICTED TO	
0 PLC	±	-																				
1 PLC	±	-																				
2 PLC	±	-																				
3 PLC	±	.010																				
4 PLC	±	-																				
ANGLES	±	-																				
MATERIAL	FINISH	WEIGHT 0.70	SIZE A2	CAGE CODE 00779																		
		CUSTOMER DRAWING	DRAWING NO C=2230810	SCALE 8:1																		
			SHEET 1 of 1	REV A2																		