

222A121-3-0 ✓ ACTIVE

RAYCHEM

TE Internal #: 814511-000

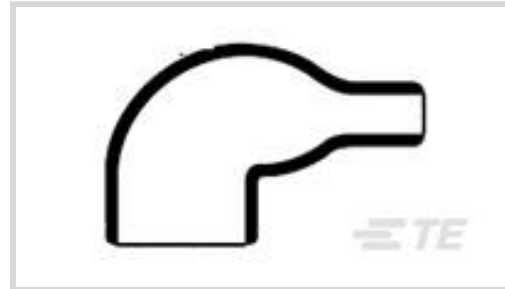
Heat Shrink Boots, Right Angle, Size 222A, 3, 10, Adhesive

Purchased Separately Adhesive Requirement, -55 – 135 °C [-67 – 275 °F]

[View on TE.com >](#)



Wire Protection & Management > Heat Shrink Shapes > Heat Shrink Boots > Heat Shrink Boots: Non Lipped, Right Angle



Body Orientation: **Right Angle**

Molded Part Shape Code: **222A**

Lipped: **No**

Material Code: **3**

Material Systems Code: **10**

[All Heat Shrink Boots: Non Lipped, Right Angle \(115\)](#)

Features

Configuration Features

Lipped	No
Adhesive Requirement	Adhesive Purchased Separately

Body Features

Primary Product Material	Semi-Rigid Modified Polyolefin
Material Code	3
Material Systems Code	10

Housing Features

Body Orientation	Right Angle
------------------	-------------

Usage Conditions

Operating Temperature Range	-55 – 135 °C[-67 – 275 °F]
Resistance Protection	Occasional Fluid Exposure

Other

Molded Part Shape Code	222A
------------------------	------

Product Compliance

[For compliance documentation, visit the product page on TE.com>](#)



EU RoHS Directive 2011/65/EU	Compliant
EU ELV Directive 2000/53/EC	Compliant
China RoHS 2 Directive MIIT Order No 32, 2016	No Restricted Materials Above Threshold
EU REACH Regulation (EC) No. 1907/2006	Current ECHA Candidate List: JUNE 2023 (235) Candidate List Declared Against: JUNE 2023 (235) Does not contain REACH SVHC
Halogen Content	Not Low Halogen - contains Br or Cl > 900 ppm.
Solder Process Capability	Not applicable for solder process capability


Product Compliance Disclaimer

This information is provided based on reasonable inquiry of our suppliers and represents our current actual knowledge based on the information they provided. This information is subject to change. The part numbers that TE has identified as EU RoHS compliant have a maximum concentration of 0.1% by weight in homogenous materials for lead, hexavalent chromium, mercury, PBB, PBDE, DBP, BBP, DEHP, DIBP, and 0.01% for cadmium, or qualify for an exemption to these limits as defined in the Annexes of Directive 2011/65/EU (RoHS2). Finished electrical and electronic equipment products will be CE marked as required by Directive 2011/65/EU. Components may not be CE marked. Additionally, the part numbers that TE has identified as EU ELV compliant have a maximum concentration of 0.1% by weight in homogenous materials for lead, hexavalent chromium, and mercury, and 0.01% for cadmium, or qualify for an exemption to these limits as defined in the Annexes of Directive 2000/53/EC (ELV). Regarding the REACH Regulation, the information TE provides on SVHC in articles for this part number is based on the latest European Chemicals Agency (ECHA) 'Guidance on requirements for substances in articles' posted at this URL: <https://echa.europa.eu/guidance-documents/guidance-on-reach>

Customers Also Bought



TE Part #814309-000
222A111-3-0



TE Part #66023-2
TAB,PIDG TERMI-BK 22-16



TE Part #61174-1
CMNL PIN L/P PTBR



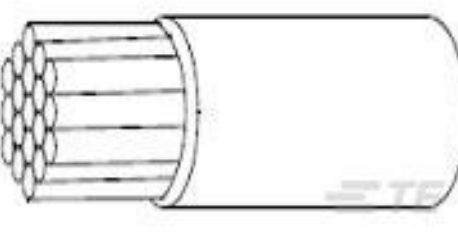
TE Part #089827-000
B-040-26-N




TE Part #66024-2
TAB,PIDG TERMI-BK 16-14



TE Part #183968-000
22759/33-30-1



TE Part #608902-000
22759/33-30-3



TE Part #ZPF000000000009358
991-00 KA 14S 2 PN 2 RQ-T05



Documents

Datasheets & Catalog Pages

[Raychem Molded Parts Visual Guide](#)

English

Product Specifications

[Product Specification](#)

English