

2227640-1 ✓ ACTIVE



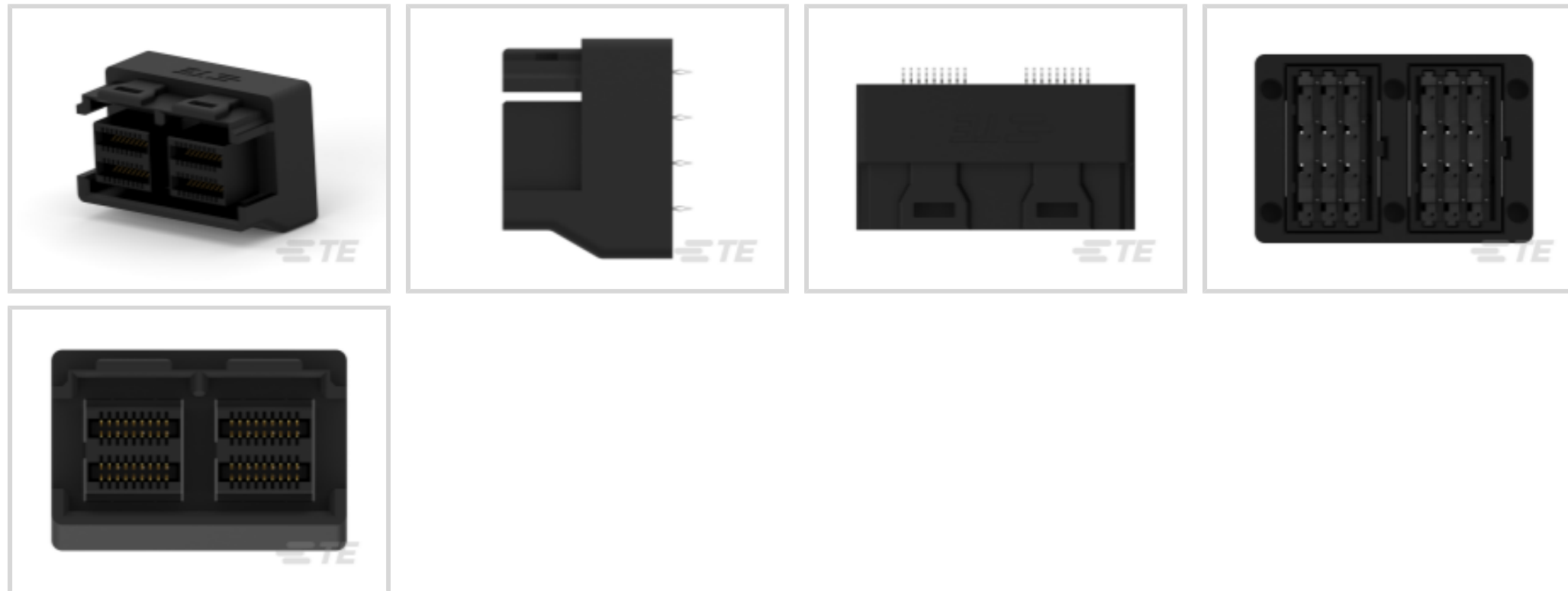
Mini-SAS HD

TE Internal #: 2227640-1

Internal Mini-SAS HD, Receptacle, Cable-to-Board, 72 Position, 4 Row, 2 Port, Vertical, Through Hole - Press-Fit, Mini-SAS HD

[View on TE.com >](#)

Connectors > PCB Connectors > SAS & MiniSAS > Internal Mini-SAS HD Receptacles



SAS Connector Type: **Internal Mini-SAS HD**

Connector & Housing Type: **Receptacle**

Connector System: **Cable-to-Board**

Number of Positions: **72**

Number of Rows: **4**

[All Internal Mini-SAS HD Receptacles \(6\)](#)

Features

Product Type Features

Shell	Without
SAS Connector Type	Internal Mini-SAS HD
Connector & Housing Type	Receptacle
Connector System	Cable-to-Board
Connector & Contact Terminates To	Printed Circuit Board

Configuration Features

Stackable	No
Number of Positions	72
Number of Rows	4
Number of Ports	2
PCB Mount Orientation	Vertical

Contact Features

Contact Mating Area Plating Material	Gold
--------------------------------------	------



Contact Underplating Material	Nickel
PCB Contact Termination Area Plating Material	Tin
Contact Base Material	Copper Alloy

Termination Features

Termination Method to Printed Circuit Board	Through Hole - Press-Fit
---	--------------------------

Mechanical Attachment

PCB Mount Retention	With
PCB Mount Retention Type	M2 Screw

Housing Features

Housing Material	LCP (Liquid Crystal Polymer)
Housing Color	Black
Centerline (Pitch)	.75 mm[.029 in]

Dimensions

Profile Height from PCB	14.2 mm[.559 in]
-------------------------	------------------

Usage Conditions

High Temperature Housing	Yes
Operating Temperature Range	-55 – 85 °C[-67 – 185 °F]

Operation/Application

Circuit Application	Signal
---------------------	--------

Industry Standards

UL Flammability Rating	UL 94V-0
------------------------	----------

Packaging Features

Packaging Method	Box & Tray
------------------	------------

Product Compliance

[For compliance documentation, visit the product page on TE.com>](#)

EU RoHS Directive 2011/65/EU	Compliant
EU ELV Directive 2000/53/EC	Compliant
China RoHS 2 Directive MIIT Order No 32, 2016	No Restricted Materials Above Threshold
EU REACH Regulation (EC) No. 1907/2006	Current ECHA Candidate List: JUNE 2022 (224) Candidate List Declared Against: JUNE 2022 (224)



Does not contain REACH SVHC

Halogen Content

Low Halogen - Br, Cl, F, I < 900 ppm per homogenous material. Also BFR/CFR/PVC Free

Solder Process Capability

Not applicable for solder process capability

Product Compliance Disclaimer

This information is provided based on reasonable inquiry of our suppliers and represents our current actual knowledge based on the information they provided. This information is subject to change. The part numbers that TE has identified as EU RoHS compliant have a maximum concentration of 0.1% by weight in homogenous materials for lead, hexavalent chromium, mercury, PBB, PBDE, DBP, BBP, DEHP, DIBP, and 0.01% for cadmium, or qualify for an exemption to these limits as defined in the Annexes of Directive 2011/65/EU (RoHS2). Finished electrical and electronic equipment products will be CE marked as required by Directive 2011/65/EU. Components may not be CE marked. Additionally, the part numbers that TE has identified as EU ELV compliant have a maximum concentration of 0.1% by weight in homogenous materials for lead, hexavalent chromium, and mercury, and 0.01% for cadmium, or qualify for an exemption to these limits as defined in the Annexes of Directive 2000/53/EC (ELV). Regarding the REACH Regulation, the information TE provides on SVHC in articles for this part number is based on the latest European Chemicals Agency (ECHA) 'Guidance on requirements for substances in articles' posted at this URL: <https://echa.europa.eu/guidance-documents/guidance-on-reach>

Compatible Parts



TE Part # CAT-IN819-C76264
Internal Mini-SAS HD Receptacles



TE Part # 2820350-4
C/A, INTERNAL HD MINI SAS, 100 OHM, STR



TE Part # 2185275-2
ASY, RMVL TL, SHROUD, MINI-SAS



TE Part # 2215044-2
ASSY, REMOVAL TOOL



TE Part # 2820328-1
C/A, INTERNAL HD MINI SAS, 100 OHM, R/A



TE Part # 2820328-2
C/A, INTERNAL HD MINI SAS, 100 OHM, R/A



TE Part # 2820328-3
C/A, INTERNAL HD MINI SAS, 100 OHM, R/A



TE Part # 2820328-4
C/A, INTERNAL HD MINI SAS, 100 OHM, R/A



TE Part # 2820332-1
C/A, INTERNAL HD MSAS, 100 OHM, STR-R/A



TE Part # 2820332-2
C/A, INTERNAL HD MSAS, 100 OHM, STR-R/A



TE Part # 2820332-3
C/A, INTERNAL HD MSAS, 100 OHM, STR-R/A



TE Part # 2820332-4
C/A, INTERNAL HD MSAS, 100 OHM, STR-R/A




TE Part # 2820350-1
C/A, INTERNAL HD MINI SAS, 100 OHM, STR



TE Part # 2820350-2
C/A, INTERNAL HD MINI SAS, 100 OHM, STR



TE Part # 2820350-3
C/A, INTERNAL HD MINI SAS, 100 OHM, STR



TE Part # 2820329-1
C/A, INTERNAL HD MINI SAS, 100 OHM, R/A




TE Part # 2820329-2
C/A, INTERNAL HD MINI SAS, 100 OHM, R/A



TE Part # 2820329-3
C/A, INTERNAL HD MINI SAS, 100 OHM, R/A




TE Part # 2820329-4
C/A, INTERNAL HD MINI SAS, 100 OHM, R/A



TE Part # 2820333-1
C/A, INTERNAL HD MSAS, 100 OHM, STR-R/A

Also in the Series | Mini-SAS HD



Mini-SAS Cages(11)



Pluggable I/O Cable Assemblies(18)



SAS & MiniSAS(10)



SATA & Micro SATA(1)

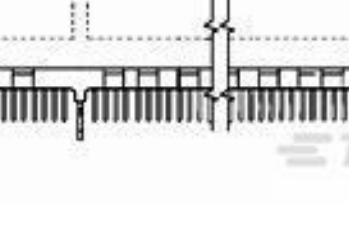
Customers Also Bought



TE Part #5352115-1
Z-PACK/C RAF 55P



TE Part #1734595-5
1.0 WTB SR VT HDR 5 POS



TE Part #5145167-4
STANDARD EDGE .050 SERIES 60 DUAL ASSY



TE Part #1761008-3
SFP 1X4 CAGE & LIGHT PIPE KIT



TE Part #6469001-1
HM-ZD 4PR RECP 80P



TE Part #5650913-5
ASSY,PIN,EUROCARD,TYPE C,LEAD-



TE Part #3-6318490-6
.5FHR04H,220,S,GIG,08/Sn,HT,NSYes



TE Part #60080-2
250 FASTON TAB TPBR



TE Part #2110819-1
QSFP+ Enh EVERCLEAR PT Conn



TE Part #1-1123724-4
3.96EP HDR ASSY 4(7)P NATURAL

Documents

Product Drawings

[1X2 VERT ASSY, MINI SAS HD INTERNAL](#)

English

CAD Files

[3D PDF](#)

3D

Customer View Model

[ENG_CVM_CVM_2227640-1_A.2d_dxf.zip](#)

English

Customer View Model

[ENG_CVM_CVM_2227640-1_A.3d_igs.zip](#)

English

Customer View Model

[ENG_CVM_CVM_2227640-1_A.3d_stp.zip](#)

English

By downloading the CAD file I accept and agree to the [Terms and Conditions](#) of use.

Product Specifications

[Application Specification](#)

English

Agency Approvals

[UL Report](#)

English