

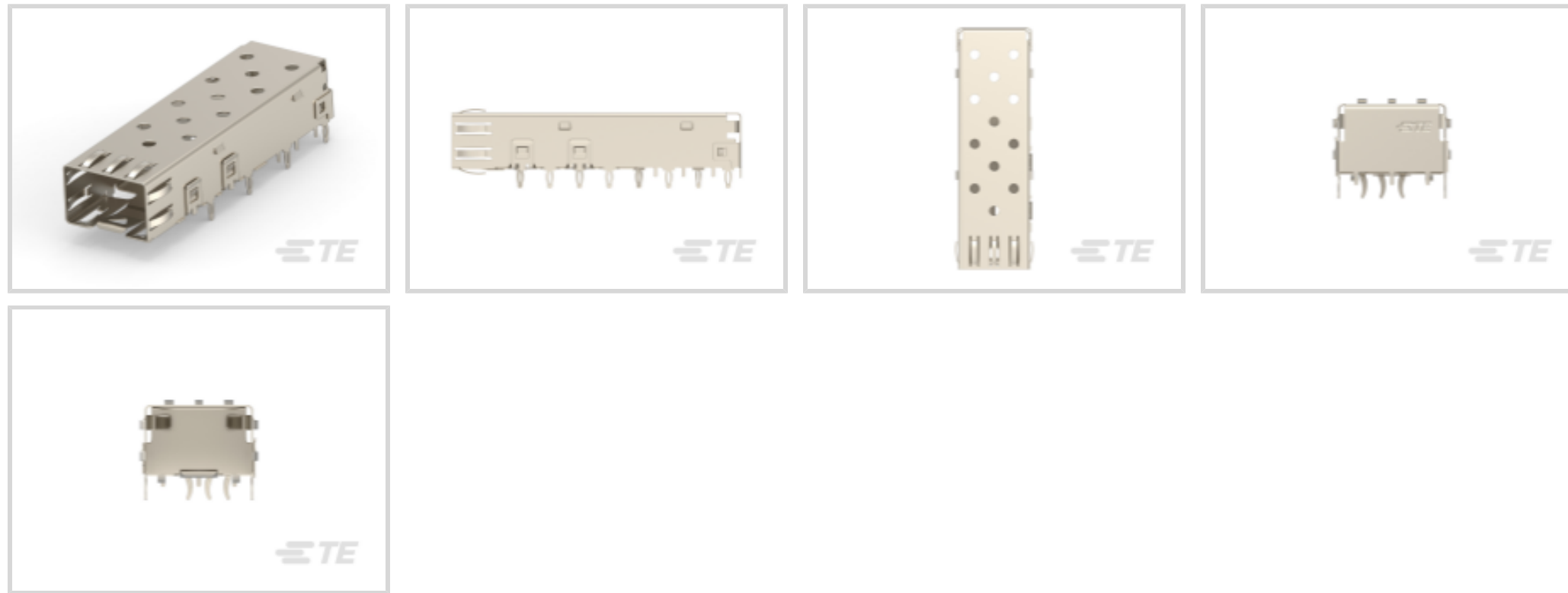


TE Internal #: 2227302-3

SFP, Cage, Sealable, Signal, Operating Temperature Range -55 – 85 °C [-67 – 185 °F], Data Rate (Max) 4 Gb/s, 1 Ports, Port Matrix Configuration 1 x 1

[View on TE.com >](#)

Connectors > Pluggable IO Connectors & Cages



Pluggable I/O Product Type: **Cage**

Data Rate (Max): **4 Gb/s**

Sealable: **Yes**

Number of Ports: **1**

Port Matrix Configuration: **1 x 1**

Features

Product Type Features

Cage Type	Single
Pluggable I/O Product Type	Cage
Sealable	Yes
Form Factor	SFP

Configuration Features

Number of Ports	1
Port Matrix Configuration	1 x 1

Electrical Characteristics

Data Rate (Max)	4 Gb/s
-----------------	--------

Termination Features

Termination Method to Printed Circuit Board	Through Hole - Press-Fit
---	--------------------------

Usage Conditions

Operating Temperature Range	-55 – 85 °C[-67 – 185 °F]
-----------------------------	---------------------------

Operation/Application



Pluggable I/O Applications	SFP
----------------------------	-----

Circuit Application	Signal
---------------------	--------

Other

Included Lightpipe	No
--------------------	----

EMI Containment Feature Type	Internal/External EMI Springs
------------------------------	-------------------------------

Product Compliance

[For compliance documentation, visit the product page on TE.com>](#)

EU RoHS Directive 2011/65/EU	Compliant
------------------------------	-----------

EU ELV Directive 2000/53/EC	Compliant
-----------------------------	-----------

China RoHS 2 Directive MIIT Order No 32, 2016	No Restricted Materials Above Threshold
---	---

EU REACH Regulation (EC) No. 1907/2006	Current ECHA Candidate List: JUNE 2023 (235) Candidate List Declared Against: JUNE 2023 (235) Does not contain REACH SVHC
--	---

Halogen Content	Low Halogen - Br, Cl, F, I < 900 ppm per homogenous material. Also BFR/CFR/PVC Free
-----------------	---

Solder Process Capability	Not applicable for solder process capability
---------------------------	--

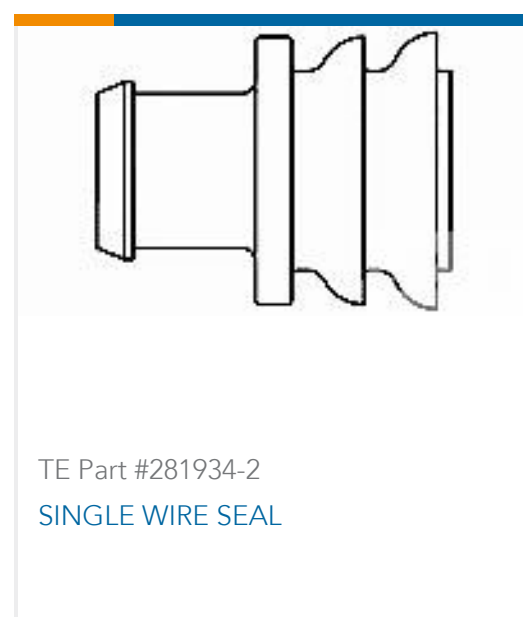
Product Compliance Disclaimer

This information is provided based on reasonable inquiry of our suppliers and represents our current actual knowledge based on the information they provided. This information is subject to change. The part numbers that TE has identified as EU RoHS compliant have a maximum concentration of 0.1% by weight in homogenous materials for lead, hexavalent chromium, mercury, PBB, PBDE, DBP, BBP, DEHP, DIBP, and 0.01% for cadmium, or qualify for an exemption to these limits as defined in the Annexes of Directive 2011/65/EU (RoHS2). Finished electrical and electronic equipment products will be CE marked as required by Directive 2011/65/EU. Components may not be CE marked. Additionally, the part numbers that TE has identified as EU ELV compliant have a maximum concentration of 0.1% by weight in homogenous materials for lead, hexavalent chromium, and mercury, and 0.01% for cadmium, or qualify for an exemption to these limits as defined in the Annexes of Directive 2000/53/EC (ELV). Regarding the REACH Regulation, the information TE provides on SVHC in articles for this part number is based on the latest European Chemicals Agency (ECHA) 'Guidance on requirements for substances in articles' posted at this URL: <https://echa.europa.eu/guidance-documents/guidance-on-reach>

Compatible Parts



Customers Also Bought



Documents

Product Drawings

CAGE ASSY, PRESS FIT, SFP

English

CAD Files

3D PDF

3D

Customer View Model

[ENG_CVM_CVM_2227302-3_A.2d_dxf.zip](#)

English

Customer View Model

[ENG_CVM_CVM_2227302-3_A.3d_igs.zip](#)

English

Customer View Model

[ENG_CVM_CVM_2227302-3_A.3d_stp.zip](#)

English

By downloading the CAD file I accept and agree to the [Terms and Conditions](#) of use.



[Product Specifications](#)

[Application Specification](#)

English